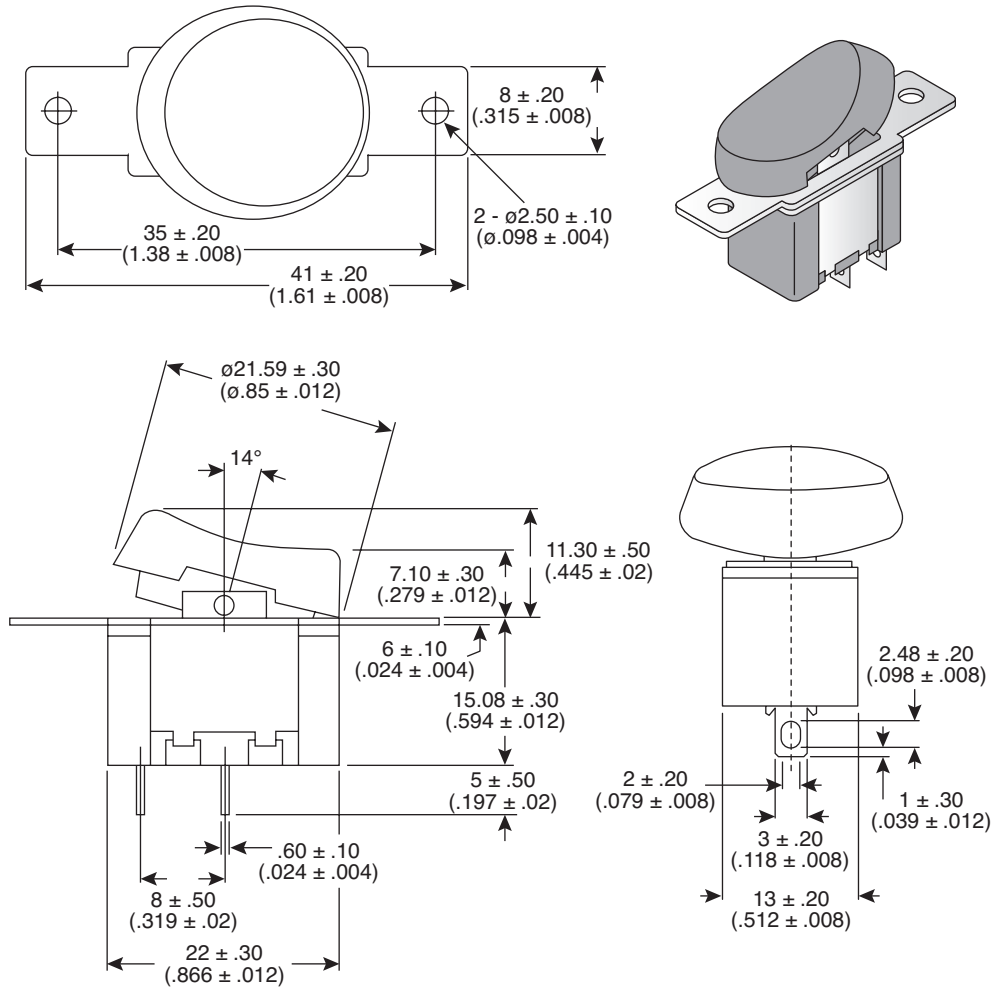


Dimensions: mm (In.)



**Electrical Specifications:**

- Rating: 8A / 125VAC, 6A / 250VAC
- Contact Resistance: 50m  $\Omega$  max.
- Insulation Resistance: 500 VDC 100M  $\Omega$  min.
- Dielectric Strength: 1500 VAC 1 minute

**Mechanical Specifications:**

- Circuit: 2P SPST On-Off

**Note:**

- RoHS Compliant by Exemption

**Rocker Switch**  
103-7060-EVX

