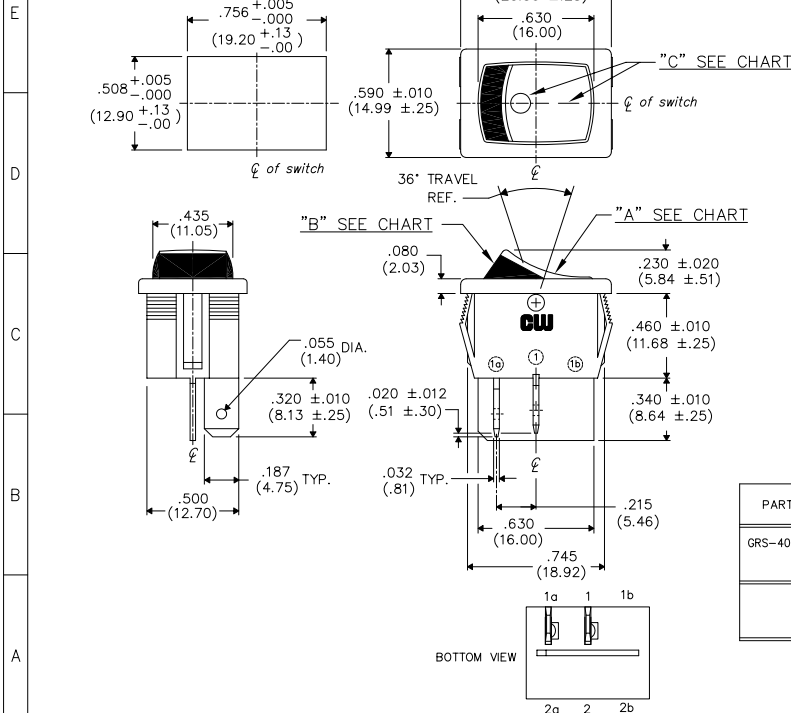


PANEL PIERCING

DIMENSIONS IN INCHES (MILLIMETERS) Dwg. No. GRS-4011-0140  
DO NOT SCALE DRAWING .....



PART NUMBER	HOUSING COLOR	BUTTON COLOR "A"/"B"/"C"	CIRCUIT	RATING	UL & CSA
GRS-4011-0140	BLACK BK-000	BLACK BK-000/RED CNY-5447/RED CNY-5447	SPST	16A 125-250VAC 3/4 H.P. 125-250VAC 3A 125V L 10A 14V T	APPROVED

<p>B-FORMAT 2002</p> <p>REVISIONS</p> <p>RELEASED: DGW 8-29-2006</p> <p>SEP. 01 2006</p>	1	2	3	4	5	6	7	8	9	10	
	<p>PDF FILE MADE</p>								<p><b>GW INDUSTRIES</b> Southampton, Pa. 18966</p>		<p>Title: 2 COLOR ROCKER SWIDGET ASSEMBLY SP/ST (POP IN)</p>
	<p>TOLERANCES UNLESS OTHERWISE SPECIFIED</p> <p>2 Place Decimal ±.010 METRIC</p> <p>3 Place Decimal ±.005 1 Place Dec. ±.25mm</p> <p>Angles ..... ±1° 2 Place Dec. ±.13mm</p>								<p>Made for: CW IND.</p>		<p>Division: SWITCH</p>
	<p>Drawn by: DGW 8-29-2006</p> <p>Checked by: G. GULD 9-1-06</p> <p>Approval: GZISK</p>								<p>Dwg. No. GRS-4011-0140</p>		