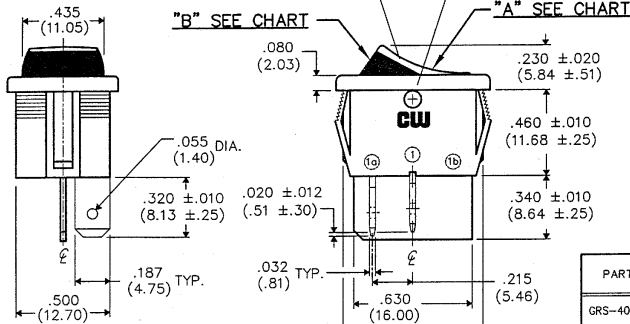
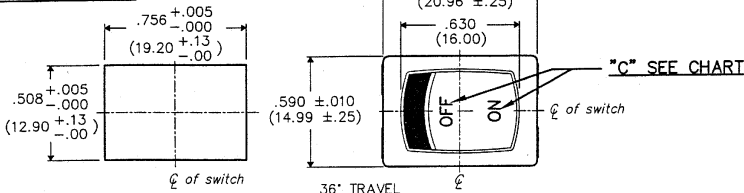


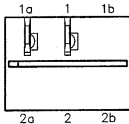
DIMENSIONS IN INCHES (MILLIMETERS)
DO NOT SCALE DRAWING

Dwg. No.
GRS-4011-0139

PANEL PIERCING



BOTTOM VIEW



PART NUMBER	HOUSING COLOR	BUTTON COLOR "A"/"B"/"C"	CIRCUIT	RATING	UL & CSA
GRS-4011-0139	BLACK BK-000	BLACK BK-000/RED CNY-5447/RED CNY-5447	SPST	16A 125-250VAC 3/4 H.P. 125-250VAC 3A 125V L 10A 14V T	APPROVED

1 2 3 4 5 6 7 8 9 10

<p>B-FORMAT 2002</p> <p>REVISIONS</p> <p>0</p> <p>RELEASED: 10-10-2006 DCW BY: 20-06</p>	<p>CW INDUSTRIES Southampton, Pa. 18966</p> <p>TOLERANCES UNLESS OTHERWISE SPECIFIED</p> <p>2 Place Decimal ±.010 METRIC 3 Place Decimal ±.005 1 Place Dec. ±.25mm Angles ±1° 2 Place Dec. ±.13mm</p>		<p>Title: 2 COLOR ROCKER SWIDGET ASSEMBLY SP/ST (POP IN)</p>
	<p>Made for: CW IND.</p>		<p>Division: SWITCH</p>
	<p>Drawn by: DGW 10-10-2006</p>		<p>Dwg. No. GRS-4011-0139</p>
	<p>Checked by: G.Guld 10-12-06</p>		<p>Approval: <i>[Signature]</i> 10-20-06</p>