

### T-Series



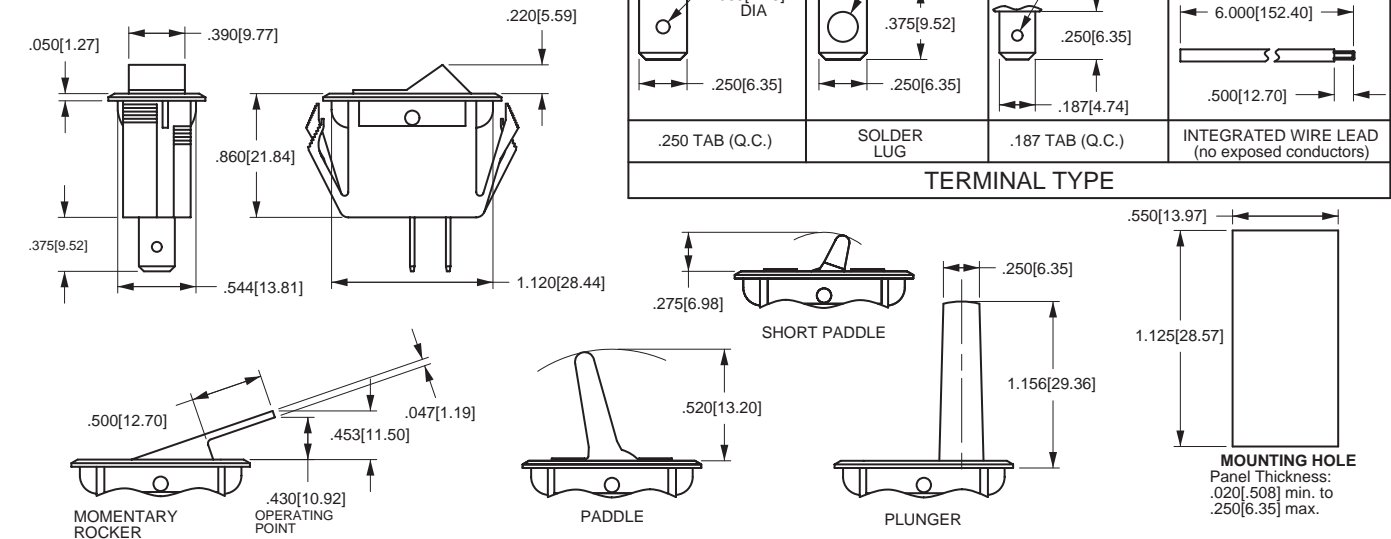
The T-Series Mini Tippette snap-in rocker switches are single pole with ratings up to 20 amps. A variety of circuits, actuators and terminations are available.

### Specifications

- Certifications\*: UL, CSA, VDE
- Dielectric Strength: 1,000 V (minimum)
- Insulation Resistance: 100 Megohms (minimum)
- Base Material: Nylon
- Actuator Material: Nylon
- Bezel Material: Nylon

\* Due to ongoing technological advances, consult factory for certification specifics.

### Dimensional Specifications: in. [mm]



SERIES	RATING <sup>1</sup>	TERMINATION/FUNCTION	ACTUATOR COLOR <sup>3</sup>
<b>T</b> SINGLE POLE	<b>10</b> 5A 250VAC 10A 125VAC 1/2HP 125-250VAC	FUNCTION ON-NONE-OFF (ON)-NONE-OFF ON-NONE-(OFF) ON-NONE-ON ON-NONE-(ON) ON-OFF-ON	<b>B</b> BLACK <b>W</b> WHITE
<b>CIRCUIT</b>	<b>11</b> 5A 250VAC 10A 125VAC 5A (TUNGSTEN) 125VAC L	SOLDER LUG	<b>BASE COLOR<sup>3</sup></b> <b>B</b> BLACK <b>W</b> WHITE
<b>A</b> ON-NONE-OFF <b>B</b> ON-NONE-ON <b>C</b> ON-OFF-ON	<b>20</b> 10A 250VAC 15A 125VAC 3/4HP 125-250VAC <b>22</b> 10A 250VAC 15A 125VAC 20A 125-250VAC H 3/4HP 125-250VAC <b>25</b> 10A 250VAC 16A 125VAC 1/2HP 125-250VAC	TAB (QC) TAB (QC) WIRE LEAD	<b>ACTUATOR STYLE<sup>2</sup></b> <b>P</b> PADDLE <b>PL</b> PLUNGER <b>PS</b> PADDLE - SHORT <b>T</b> ROCKER <b>TL</b> MOMENTARY ROCKER

NOTES:  
 Shading indicates standard configurations. Stainless steel bezels are available. Add suffix "Bezel" to the end of the catalog number. (ex. TA201-TB-B/BEZEL)  
 Imprinting is available. Please specify when ordering. (ex. TA201-TB-B/ON-OFF)  
 Panel Cut-Out Recommendations: For sheet metal panels, switch must enter panel in same direction as the punch. (Burr on bottom.) Test cut hole in actual material.  
 1 Rating Code 22 is 20A 125VAC inductive when momentary function is specified. Rating Code 22 only available with circuits A & B. Rating Code 25 only available with PL-Plunger actuator.  
 2 PL-Plunger actuator available only in T Series with circuit A, termination/function B or F, and terminals at T1 and 2.  
 3 Custom colors are available. Consult factory.