

## RG-Series Single/Double Pole Rocker & Paddle Switches



The double pole version of the R-Series incorporates the same sleek lines as the original Corvette, in a double pole envelope. Features include silver-plated butt-action contacts which afford ratings to 20A/125, 15A 250VAC and withstand peak inrush currents up to 100 amps. Paddle or rocker actuators and a choice of solder lug, .250 Tab and wire lead terminations enable this switch to adapt to high current applications within the Power Supply, Appliance, Exercise Equipment and Music Equipment Industries.

### Dielectric Strength

UL/CSA: 1000V - live to dead metal parts & opposite polarity  
1250V - opposite polarity & across open contacts  
VDE: 4000V - live to dead metal parts; 1250V - opposite polarity & across open contacts

### Electrical Life

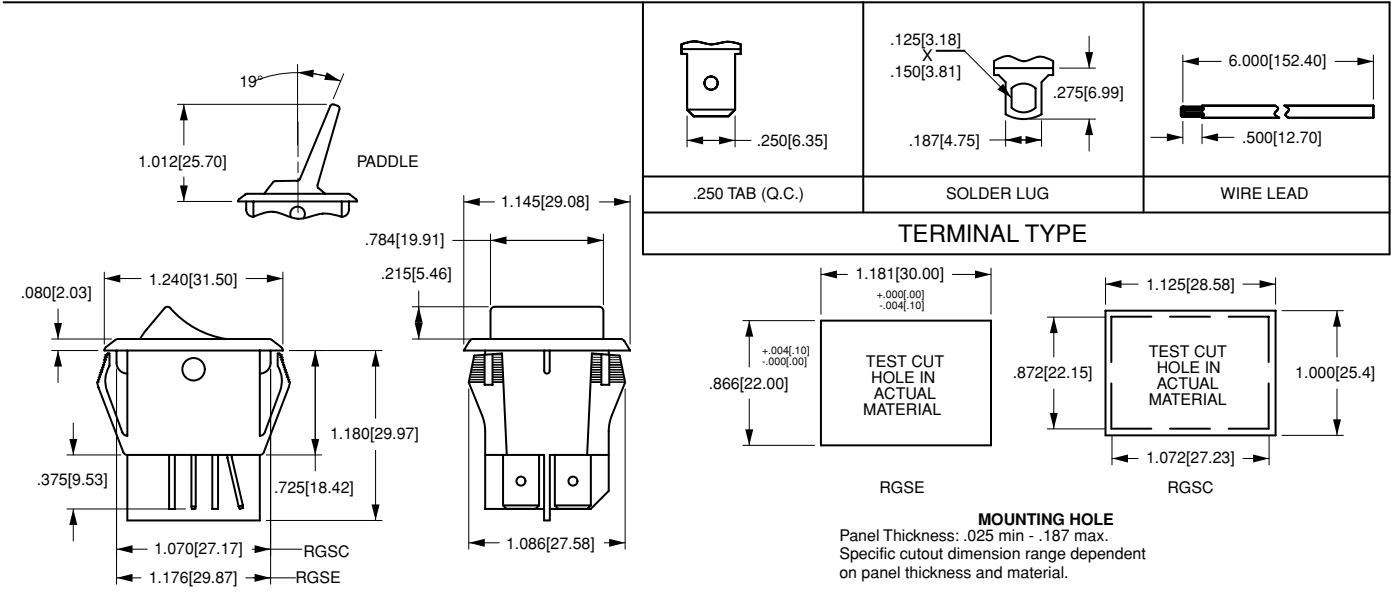
50,000 cycles

### Mechanical Life

100,000 cycles

### Operating Temperature

-40°F to 185°F (-40°C to 85°C)



**RGSCA901 - R - B - B - A**

1 Base Part Number

2 Actuator Style

3 Actuator Color

4 Bezel Color

5 Rocker Legend

### 1 BASE PART NUMBER: SERIES/CIRCUITRY/RATING<sup>1</sup>/TERMINATION

15A 250 VAC, 20A 125 VAC, 3/4 HP 125-250 VAC, 14(6)A 250 VAC

Solder Lugs    .250 Tabs    Wire Leads

#### Standard Base

OFF-NONE ON (Single Pole)	<b>RGSCA900</b>	<b>RGSCA901</b>	<b>RGSCA905</b>
ON-NONE-ON (Single Pole)	<b>RGSCB900</b>	<b>RGSCB901</b>	<b>RGSCB905</b>
OFF-NONE-ON (Double Pole)	<b>RGSCC900</b>	<b>RGSCC901</b>	<b>RGSCC905</b>
ON-NONE-ON (Double Pole)	<b>RGSCD900</b>	<b>RGSCD901</b>	<b>RGSCD905</b>

#### European Base (22 x 30 mm cutout)

OFF-NONE ON (Single Pole)	<b>RGSEA900</b>	<b>RGSEA901</b>	<b>RGSEA905</b>
ON-NONE-ON (Single Pole)	<b>RGSEB900</b>	<b>RGSEB901</b>	<b>RGSEB905</b>
OFF-NONE-ON (Double Pole)	<b>RGSEC900</b>	<b>RGSEC901</b>	<b>RGSEC905</b>
ON-NONE-ON (Double Pole)	<b>RGSED900</b>	<b>RGSED901</b>	<b>RGSED905</b>

### 2 ACTUATOR STYLE

<b>P</b> paddle	<b>R</b> rocker
-----------------	-----------------

### 3 ACTUATOR COLOR<sup>1</sup>

<b>B</b> black	<b>W</b> white
----------------	----------------

### 4 BEZEL COLOR<sup>1</sup>

<b>B</b> black	<b>W</b> white
----------------	----------------

### 5 ROCKER LEGEND

	hot stamp
NO LEGEND	<b>0</b>
OFF-ON vertical	<b>A</b>
OFF-ON horizontal	<b>B</b>
I-O horizontal	<b>D</b>
I-O vertical	<b>E</b>
DUAL OFF-ON , I-O vertical	<b>H</b>
DUAL OFF-ON , I-O horizontal	<b>J</b>

#### NOTES

1 Additional ratings and colors available. Consult factory.