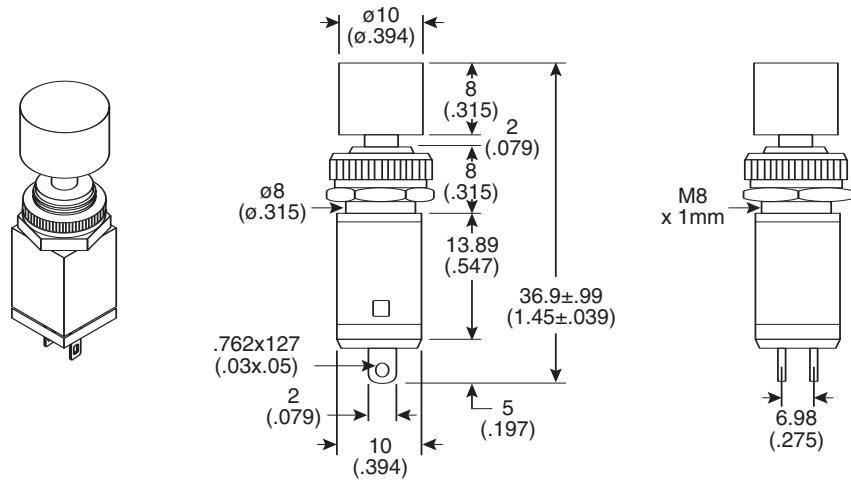


Dimensions: mm (In.)



Electrical Specifications:

- Rating: 3A/125VAC
- Electrical life: 10,000 operations
- Contact resistance: $\leq 20m\Omega$
- Insulation resistance: $\geq 100M\Omega$
- Dielectric strength: 1000VAC for 1 minute

Mechanical Specifications:

- Mechanical life: 30,000 operations
- Mounting Hole: $\varnothing 8.1mm$
- Circuit: SPST, Off-(On)

Material:

- Weight: 9.8g

Mouser Stock No.	Button Color
10PA201	Red
10PA202	Black

Pushbutton Switches
10PA201, 10PA202

