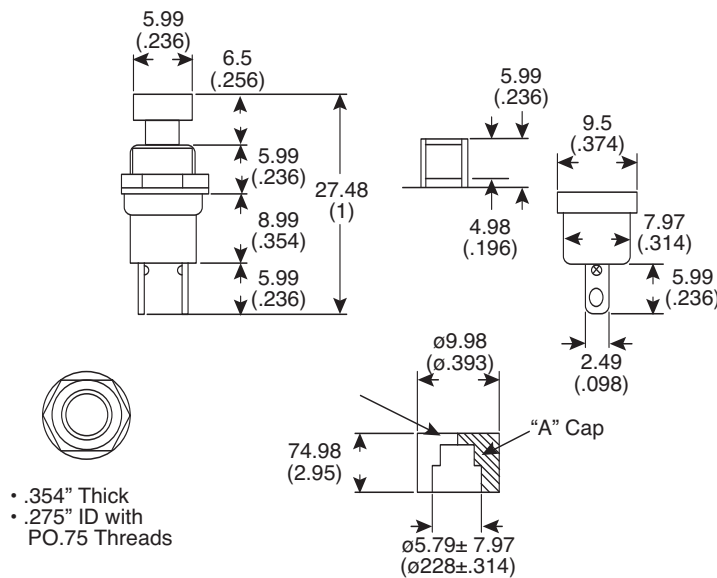
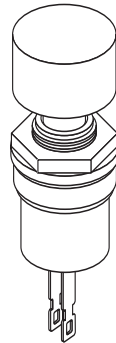


Dimensions: mm (In.)



Electrical Specifications:

- Rating: 1A/125VAC
- Contact resistance: less than 20mΩ at DC1A
- Insulation resistance: minimum 200MΩ at 500VDC
- Dielectric Strength: 1 minute at 500VDC

Mechanical Specifications:

- Life: more than 30,000 cycles (60/minute)

Materials:

- Knob: ABS plastics (polycarbonate)
- Metal: nickel plated brass
- Nut: nickel plated brass
- Washer: copper wire, uni-chromate plated
- Body: molded black plastics
- Terminals: silver plated brass
- Cap: polycarbonate

Mouser Stock No.	Type	Circuit	Button Color
10PA022	2PSPST	Off - (On)	Red
10PA023	2PSPST	Off - (On)	Black

Pushbutton Switches
10PA022, 10PA023



Available from Mouser Electronics

www.mouser.com

1-800-346-6873