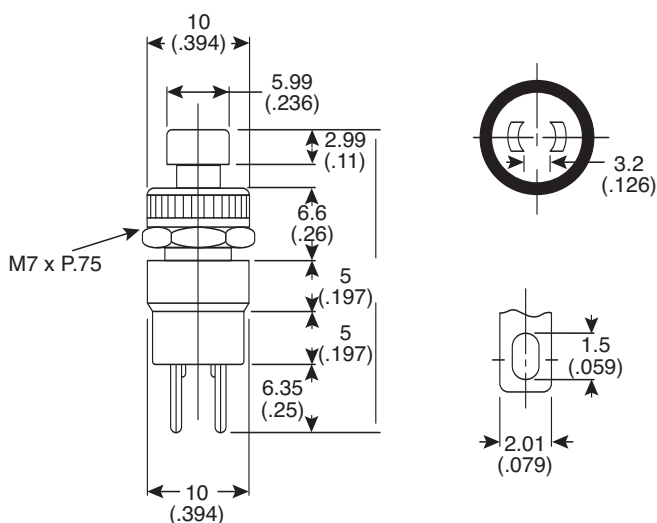


Dimensions: mm (In.)



**Electrical Specifications:**

- Rating: 1A/125VAC
- Insulation resistance: 100MΩ (min.) @ 500VDC
- Dielectric Strength: 1000VAC for 1 minute
- Contact resistance: 20mΩ (max.)

Mouser Stock No.	Type	Circuit	Button Color
10PA220	SPST	Off-(On)	Red
10PA221	SPST	Off-(On)	Black

**Pushbutton Switches**  
10PA220, 10PA221



Available from Mouser Electronics

www.mouser.com

1-800-346-6873

Specifications are subject to change without notice. No liability or warranty implied by this information. Environmental compliance based on producer documentation.