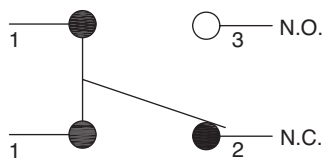
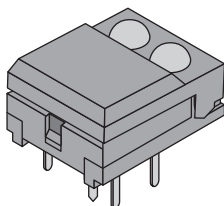
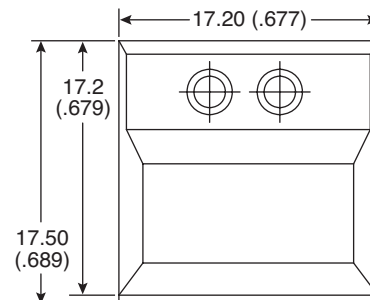
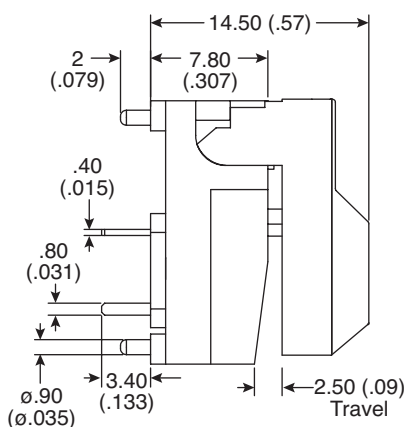
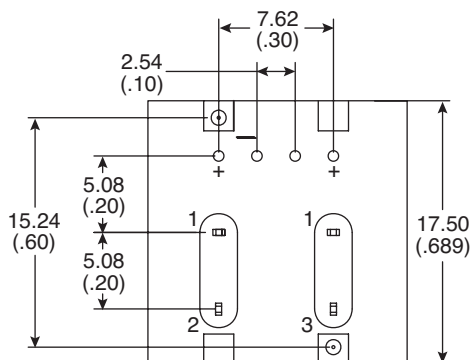
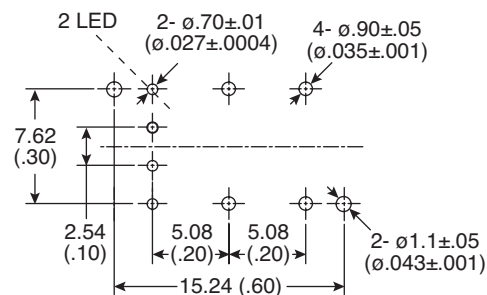


Dimensions: mm (In.)



Contact Configuration (SPDT)



P.C. Mounting

Electrical Specifications:

- Rating: 12mA/ 24VDC
- Test Voltage Cont.-Cont.: 150V
- Continuous Current Rating: 120mA
- Power Rating: 240mW
- Insulation Resistance: 100MΩ min.
- Contact Resistance: 50m Ω max.
- Capacitance Cont.-Cont.: 0.5pF max.

Mechanical Specifications:

- Contact Bounce: 5m sec max.
- Operating Force: 200gf max.
- Operating Travel: 2.5±0.2mm
- Operating Life: 500,000 cycles
- Function: Momentary

Note:

- RoHS compliant and process compatible with 260° solder

Materials:

- Housing: nylon
- Cap: ABS
- Fixed Contact: Gold plated copper alloy
- Moving Contact: Gold plated copper alloy

Mouser Stock No.	Cap Color	LED Color
107-SP86-B2-5-13-EV	Black	Red/Green
107-SP86-B2-9-13-EV	Gray	Red/Green

Illuminated (LED) Pushbutton Switches
 107-SP86-B2-5-13-EV, 107-SP86-B2-9-13-EV

