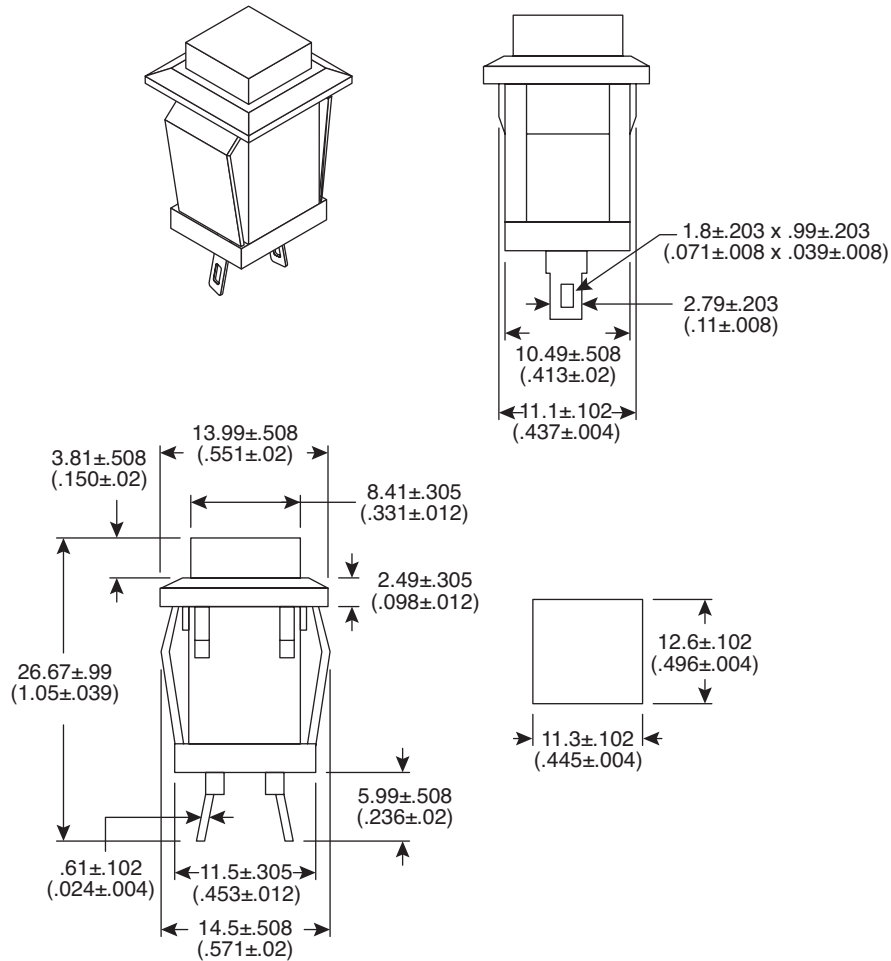


Dimensions: mm (In.)



Electrical Specifications:

- Rating: 1A/125VAC, .5A/250VAC
- Contact Resistance: 20mΩ max.
- Insulation Resistance: 100MΩ min. @ 500VDC
- Dielectric Strength: 1000VAC for 1 minute

Note:

- RoHS Compliant

Mouser Stock No.	Type	Circuit	Button Color
103-1209-EV	2PSPST	Off-(On)	Green
103-1210-EV	2PSPST	Off-(On)	Red
103-1211-EV	2PSPST	Off-(On)	Black

Pushbutton Switches

103-1209-EV, 103-1210-EV, 103-1211-EV



Available from Mouser Electronics

www.mouser.com

1-800-346-6873

Specifications are subject to change without notice. No liability or warranty implied by this information. Environmental compliance based on producer documentation.