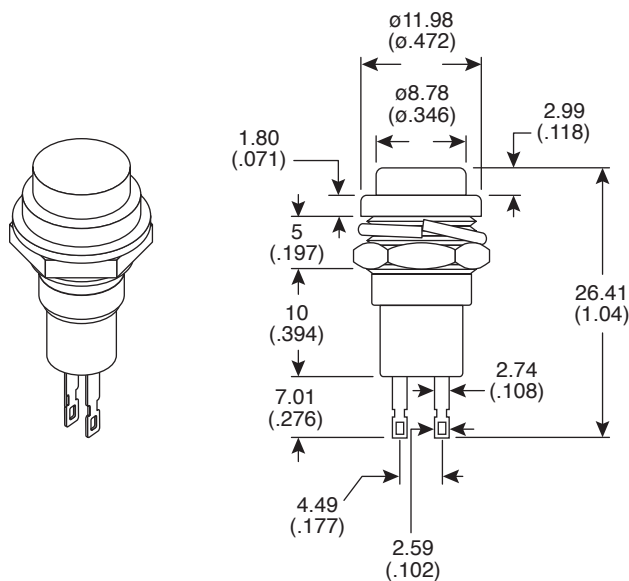


Dimensions: mm (In).



Electrical Specifications:

- Rating: 3A/125VAC
- Dielectric Strength: 1000VAC for 1 minute
- Insulation resistance: 100M Ω min. @ 500VDC
- Contact resistance: 50m Ω max.

Materials:

- Body, nut: nickel plated brass
- Washer: nickel plated steel
- Spring: piano wire
- Terminals, contacts: silver plated brass
- Knob, stopper: ABS
- Case: plastic

Mouser Stock No.	Button Color
104-0042-EVX	Red
104-0043-EVX	Black

Mechanical Specifications:

- Life: 5000 cycles min.

Note:

- RoHS Compliant by Exemption

Pushbutton Switches
104-0042-EVX, 104-0043-EVX

