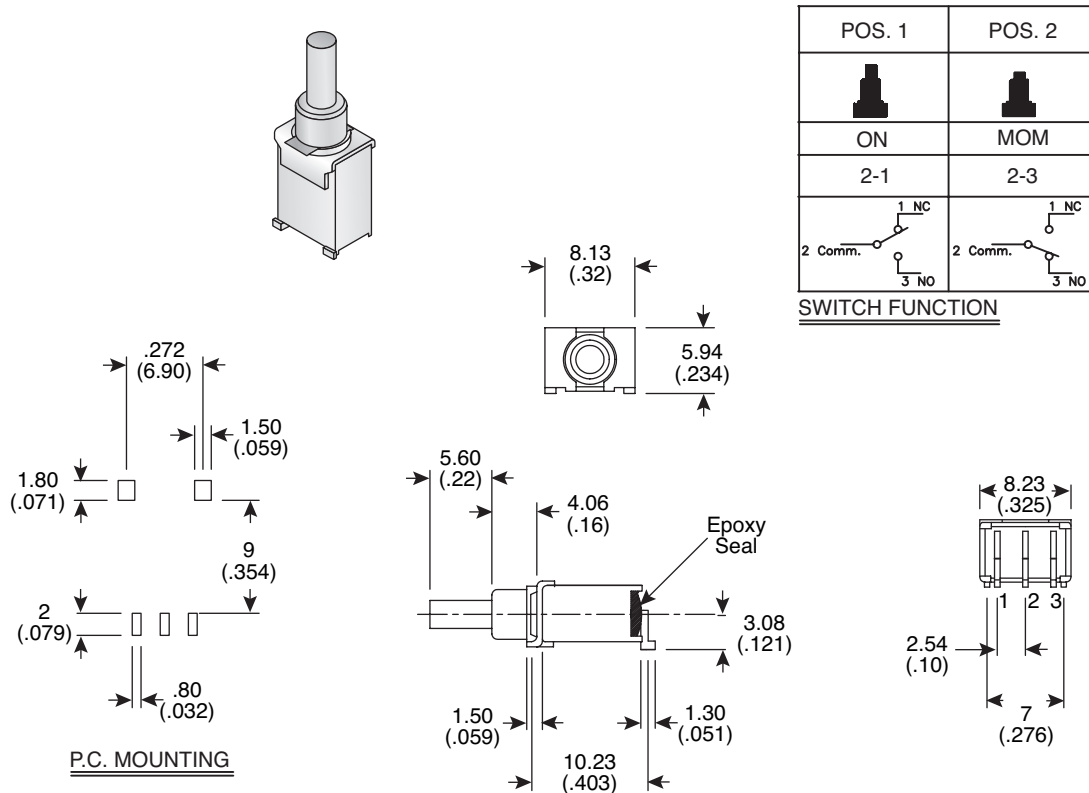


Dimensions: mm (In.)



POS. 1	POS. 2
ON	MOM
2-1	2-3

**SWITCH FUNCTION**

**Mechanical Specifications:**

- Mechanical Life: 50,000 make-and-break cycles.
- Operating Temperature: -30°C to 85°C

**Electrical Specifications:**

- Rating: 0.4 Volt-Amps (VA) max. @20V max (AC or DC)
- Contact Resistance: 20mΩmax. initial @ 2-4VDC 100mA
- Insulation Resistance: 1,000MΩmin.
- Dielectric Strength: 1,000 V RMS@ sea level

**Materials:**

- Case & Bushing: Glass filled nylon 66, flame retardant, heat stabilized (UL94V-0)
- Plunger: Thenoplastic polyester (UL 94V-0), with internal O-ring seal.
- Switch Support: Brass or Steel, electrotin plate.
- Contact: Gold plated copper alloy.

**Note:**

- RoHS compliant by exemption

**Sealed Sub-Miniature Pushbutton Switch**  
107-3019-EVX

