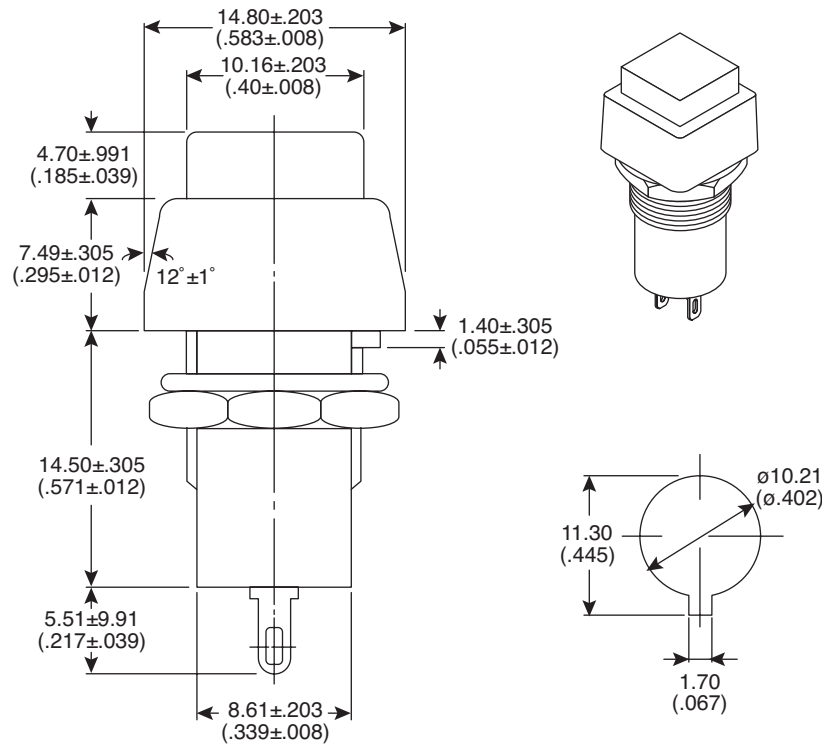


Dimensions: mm (In.)



Electrical Specifications:

- Rating: 3A/125VAC, 1A/250VAC
- Contact resistance: 20mΩ max
- Insulation resistance: 500VDC 100MΩ min
- Dielectric strength: 1500VAC for 1 minute

Mechanical Specifications:

- Circuit: 2P SPST on-off

Note:

- RoHS Compliant by Exemption

Mouser Stock No.	Button Color
103-1432-EVX	Red
103-1433-EVX	Black

Pushbutton Switches
103-1432-EVX, 103-1433-EVX

