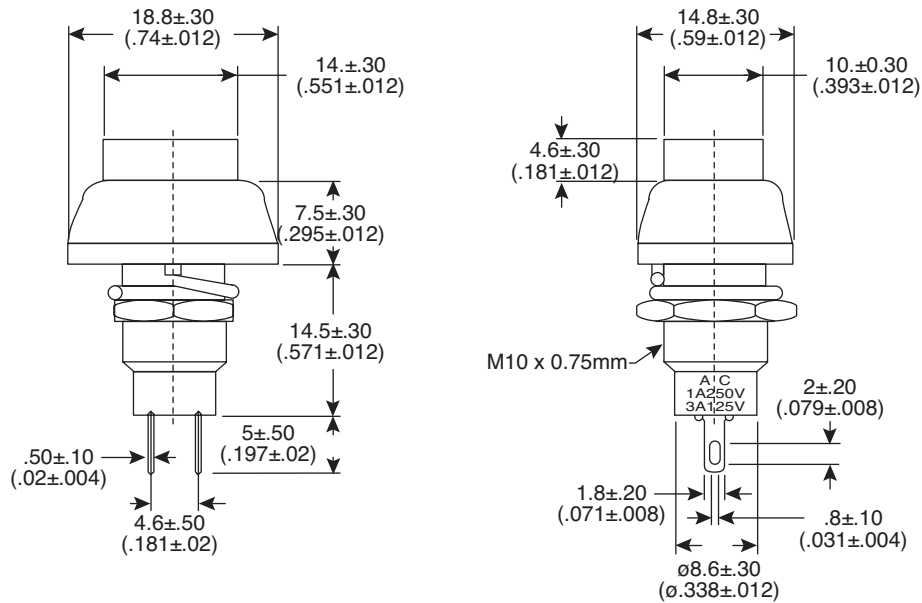
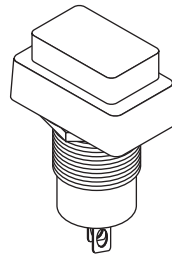


Dimensions: mm (In.)



**Electrical Specifications:**

- Rating: 3A/125V, 1A/250V AC
- Contact Resistance: 50mΩ Max.
- Insulation Resistance: 500VDC 100MΩ Min.
- Dielectric Strength: 1500VAC 1 minute

**Mechanical Specifications:**

- Type: 2P SPST

**Note:**

- RoHS Compliant by Exemption

Mouser Stock No.	Button Color	Frame Color	Circuit
107-3035-EVX	Red	Black	OFF-(ON)
107-3036-EVX	Red	Black	OFF-ON
107-3037-EVX	Black	Black	OFF-(ON)
107-3038-EVX	Black	Black	OFF-ON
107-3039-EVX	Silver	Black	OFF-(ON)
107-3040-EVX	Silver	Silver	OFF-(ON)
107-3041-EVX	Silver	Black	OFF-(ON)
107-3042-EVX	Silver	Silver	OFF-(ON)

**Pushbutton Switches**

107-3035-EVX, 107-3036-EVX, 107-3037-EVX, 107-3038-EVX,  
107-3039-EVX, 107-3040-EVX, 107-3041-EVX, 107-3042-EVX



Available from Mouser Electronics

www.mouser.com

1-800-346-6873