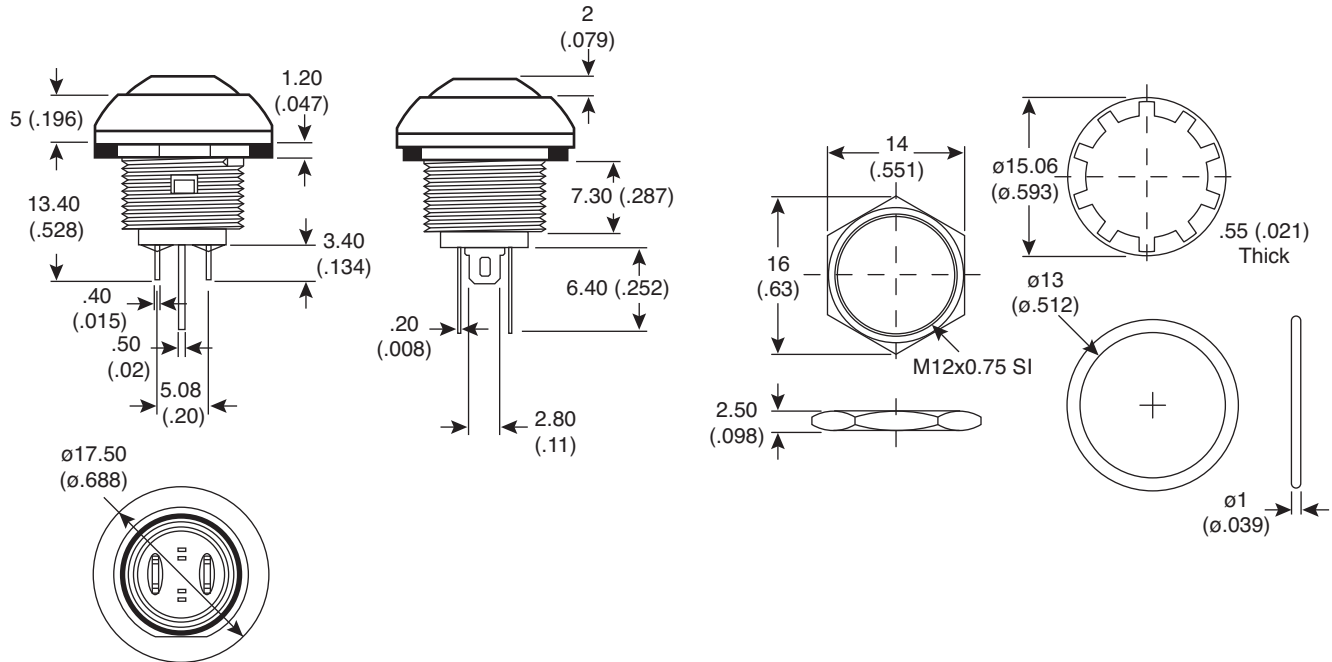


Dimensions: mm (in.)



Lens Appearance	Color	Electro-optical Data (AT 20mA)				Peak Wavelength	Viewing Angle $2\theta$ 1/2 (deg)	Mouser Stock No.	Button Color	LED Color
		Vf(V)		Iv(mcd)						
		Typ.	Max.	Typ.	Max.					
Water Clear	White (AT 5mA)	3.2	3.6	250	94	X=0.28 Y=0.29	35°	107-6215-EVX	Yellow	White
	Super Red	1.7	2.6	60	28	660		107-6217-EVX	Blue	Red
	Super Yellow	2.1	2.6	200	94	590		107-6213-EVX	Red	Yellow
	Super Green	2.0	2.6	100	42	570		107-6212-EVX	Black	Green
	Super Blue	3.2	3.6	150	63	470		107-6211-EVX	Black	Blue

**Electrical Specifications:**

- Max current/voltage rating with resistive load: 400mA/32VAC-100mA/50VDC-125mA/125VAC
- Initial Contact Resistance: 50 mΩ max.
- Insulation Resistance: 1 GΩ min. at 500VDC
- Dielectric Strength: 1,000 VAC rms.
- Electrical Life at Full Load: 500,000 cycles

**Materials:**

- Case: Polyamide 4/6 UL94-V0
- Cap: Polyamide 6/6
- Bushing: Polyamide 6/6
- Terminal/Contacts: Gold over silver plated
- Hardware Included: 1 Hexnut and 1 Washer

**Mechanical Specifications:**

- Total Travel: 1.5 mm (.059 in.)
- Operating Force: 2N~5N
- Contact Bounce: 10ms
- Mechanical Life: 1,000,000 cycles
- Torque: 1.5 Nm max. applied to nut.

**Note:**

- RoHS Compliant by Exemption

**Illuminated Pushbutton Switches**

107-6215-EVX, 107-6217-EVX, 107-6213-EVX,  
107-6212-EVX, 107-6211-EVX



Available from Mouser Electronics

www.mouser.com

1-800-346-6873

Specifications are subject to change without notice. No liability or warranty implied by this information. Environmental compliance based on producer documentation.