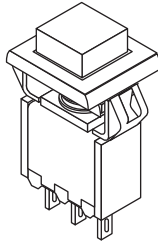
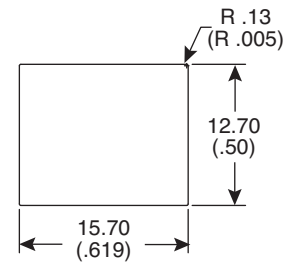
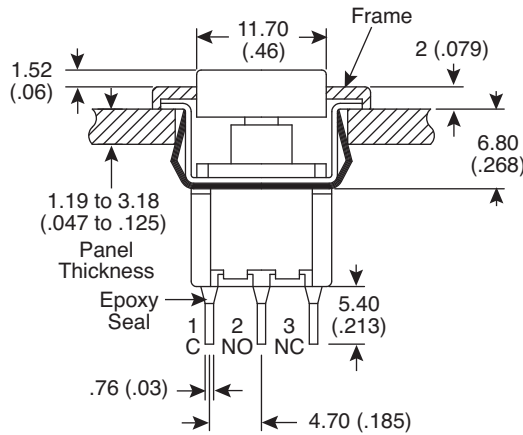
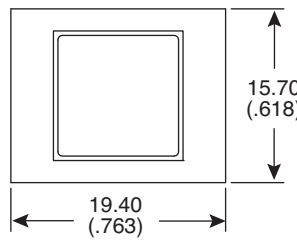


Dimensions: mm (in.)

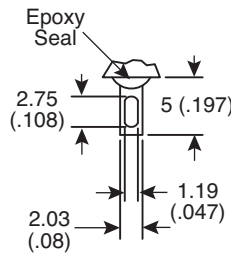


POS. 1	POS. 2
ON	MOM
1-3	1-2

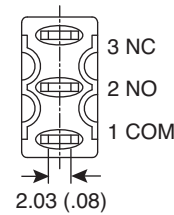
SWITCH FUNCTION



PANEL MOUNTING



SOLDER LUG



Mechanical Specifications:

- Mechanical Life: 50,000 make-and-break cycles.
- Operating Temperature: -30°C to 85°C

Electrical Specifications:

- Rating: 1A/250VAC, 3A/120VAC or 28 VDC
- Contact Resistance: 20mΩ max. initial @ 2-4VDC 100mA
- Insulation Resistance: 1,000MΩ min.
- Dielectric Strength: 1,000 V RMS@ sea level

Materials:

- Case: Diallyl phthalate (DAP) (UL94V-0)
- Plunger: Glass filled nylon or glass filled polyester
- Bushing: Brass, nickel plated
- Housing: Stainless steel
- Contact: Silver plated

Note:

- RoHS compliant by exemption

Snap-Acting Pushbutton Switch
107-3007-EVX



Available from Mouser Electronics

www.mouser.com

1-800-346-6873

Specifications are subject to change without notice. No liability or warranty implied by this information. Environmental compliance based on producer documentation.