








# ITW SWITCHES SEALED IP67 PUSHBUTTONS

Design, development and manufacture of switch solutions

-  PUSH BUTTON
-  SNAP ACTION
-  ACTUATORS
-  SLIDE
-  ROTARY
-  CUSTOM ASSEMBLIES
-  MILITARY / AEROSPACE



**ITW Switches**  
SENSORS, SWITCHES, ELECTRONIC CONTROLS



[WWW.ITWSWITCHES.COM](http://WWW.ITWSWITCHES.COM)

800.544.335

# SEALED IP67 PUSHBUTTON SWITCHES

<b>Table Of Contents</b> .....	<b>ii – iii</b>
<b>Series 034: Sub-Miniature T-05 Space Saver</b> .....	<b>2 – 3</b>
<b>Series 39: 0.25 amp Miniature LED Lighted</b> .....	<b>4 – 5</b>
<b>Series 39-4 and 39-5 Mr. Clean®</b> .....	<b>6 – 7</b>
<b>Series 39-8: Surface Mount Miniature</b> .....	<b>8 – 9</b>
<b>Series 47: Low Cost Sealed Switch</b> .....	<b>10 – 11</b>
<b>Series 48: Electro-Mechanical Miniature Sealed</b> .....	<b>12 – 13</b>
<b>Series 48: Miniature Hall-Effect Sealed</b> .....	<b>14 – 15</b>
<b>Series 48M-EM: Panel Sealed Metal Electro-Mechanical Pushbutton</b> .....	<b>16 – 17</b>
<b>Series 48M-SS: Panel Sealed Metal Solid-State (Hall-Effect) Pushbutton</b> .....	<b>18 – 19</b>
<b>Series 49: Miniature Sealed ESD Resistant</b> .....	<b>20 – 21</b>
<b>Series 49-59: Fully Sealed with Wire Leads</b> .....	<b>22 – 23</b>
<b>Series 49-59: Panel Sealed with Terminals</b> .....	<b>24 – 25</b>
<b>Series 57: Vandal Resistant Miniature Sealed</b> .....	<b>26 – 27</b>
<b>Series 57M-EM: Miniature Panel Sealed Metal Electro-Mechanical Pushbutton</b> .....	<b>28 – 29</b>
<b>Series 57M-SS: Miniature Panel Sealed Metal Solid-State (Hall-Effect) Pushbutton</b> .....	<b>30 – 31</b>
<b>Series 58M-EM: Fully Sealed Metal Electro-Mechanical Pushbutton</b> .....	<b>32 – 33</b>
<b>Series 58M-SS: Fully Sealed Metal Solid-State (Hall-Effect) Pushbutton</b> .....	<b>34 – 35</b>
<b>Series 59: Miniature Panel Sealed Metal</b> .....	<b>36 – 37</b>
<b>Series 76-59: Extra Tough Sealed</b> .....	<b>38 – 39</b>
<b>Series 76-95: 10 amp Vandal Resistant</b> .....	<b>40 – 41</b>
<b>Series 76-97: Panel Sealed Switch</b> .....	<b>42 – 43</b>

## SUB-MINIATURE T-05 SPACE SAVER

This sub-miniature pushbutton switch offers high quality and reliability in a very small package. With gold contacts, this switch offers up to 1,000,000 cycles. This switch is ideal for applications where PC board space is at a premium.

### APPLICATIONS

- Reset switch
- Detect switch

### KEY FEATURES:

- Momentary action
- Gold contacts
- PC terminals
- SPST-NO (Form A) circuitry
- Variety of actuator lengths
- Up to 1,000,000 mechanical actuations



ACTUAL SIZE

### ORDERING INFORMATION:

Part Number	Button Height
034-550-001	0.06
034-550-005	0.15
034-550-006	0.25
034-550-010	0.37
034-550-015	0.19

### STANDARDS / AGENCY / RATINGS:



**MECHANICAL / ELECTRICAL CHARACTERISTICS:**

**Circuit:**  
SPST-NO (Form A) Momentary

**Temperature rating:**  
-30°C to +65°C  
(-22°F to +149°F)

**Life (mechanical):**  
1,000,000 actuations

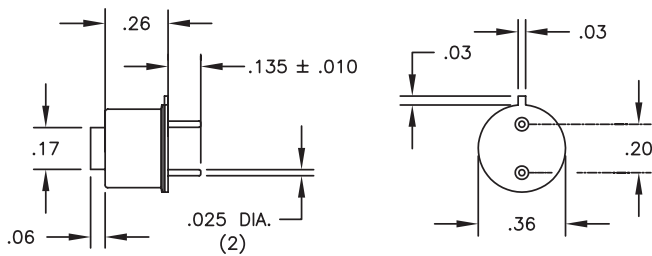
**Contact rating:**  
100 mA @ 125 VAC

**Actuator:**  
thermoplastic (PBTP)

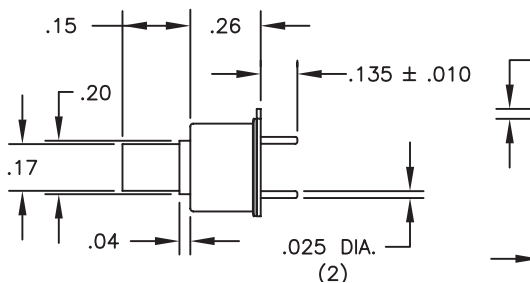
**Can:**  
Nickel-silver

**Contacts & terminals:**  
gold over nickel plate

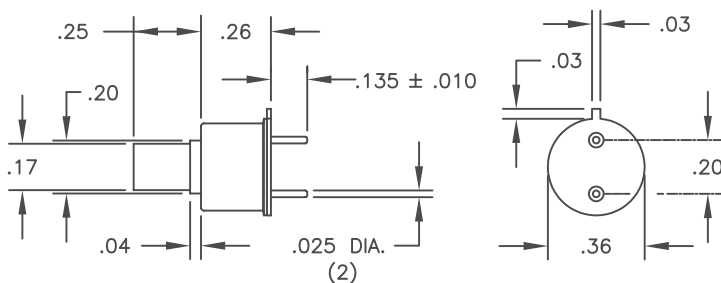
**034-550-001**



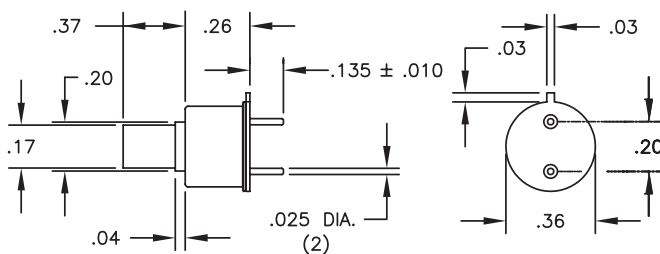
**034-550-005**



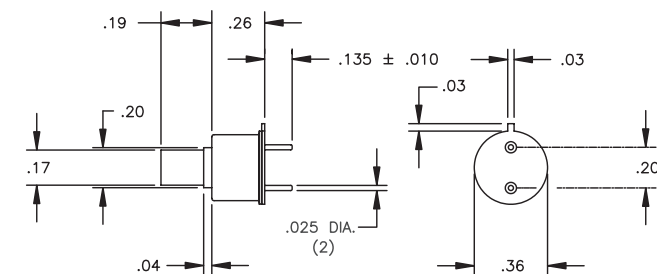
**034-550-006**



**034-550-010**



**034-550-015**



## Series 39

### 0.25 AMP MINIATURE LED LIGHTED

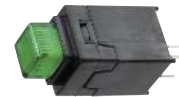
This highly reliable low cost pushbutton features bifurcated contacts that have wiping, self-cleaning action. The PC terminals allow for vertical mounting, while an optional connector allows for right angle mounting.

#### APPLICATIONS

- Control panel assemblies
- Recording equipment
- Telecom switching systems
- Scientific instrumentation
- Telecom test gear

#### KEY FEATURES:

- Momentary or maintained action
- Lighted (T-1 LED) or non-lighted
- Variety of button and keycap styles
- Wave solderable
- Bifurcated silver contacts



ACTUAL SIZE

#### ORDERING INFORMATION:

##### Switches

Part Number	Lighted	LED Color	Button Color	Button Style	Action
39-12101	Yes*	—	Clear	Button	Momentary
39-12111	Yes*	—	Red	Button	Momentary
39-12113	Yes*	—	Yellow	Button	Momentary
39-12114	Yes*	—	Smoke Grey	Button	Momentary
39-12502	No	—	White	Button	Momentary
39-12503	No	—	Red	Button	Momentary
39-12509	No	—	Black	Button	Momentary
39-12601	Yes	Red	Clear	Button	Momentary
39-12712	Yes	Green	Green	Button	Momentary
39-13101	Yes*	—	Clear	Button	Maintained
39-13113	Yes*	—	Yellow	Button	Maintained
39-22100	Yes*	—	—	Keycap	Momentary
39-22500	No	—	—	Keycap	Momentary
39-23100	Yes*	—	—	Keycap	Maintained
39-23500	No	—	—	Keycap	Maintained

\* LED not included; LED support 80-390003 supplied in bulk.

##### Button/Keycap Colors

Part Number	Lighted	Color	Cap Size
80-390101	Yes*	White	Large
80-390102	Yes*	Light Grey	Large
80-390103	Yes*	Dark Grey	Large
80-390106	No	Light Grey	Large
80-390107	No	Dark Grey	Large
80-390108	No	Black	Large
80-390111	Yes**	Black	Small

\* Requires light pipe 80-390100 (order separately)

\*\* Requires light pipe 80-390109 (order separately)

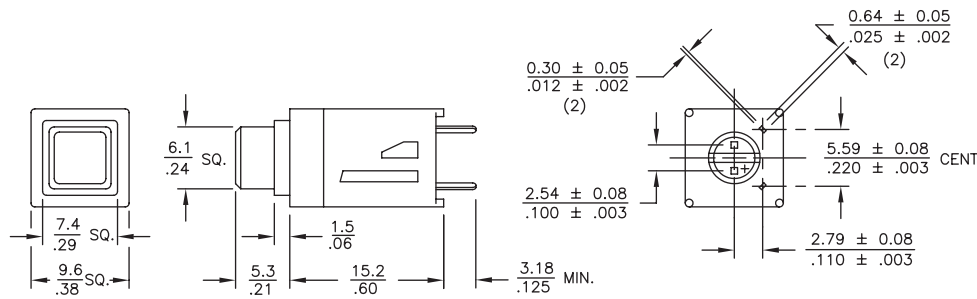
##### Connectors

Part Number	Mount
39-800001	In-Line

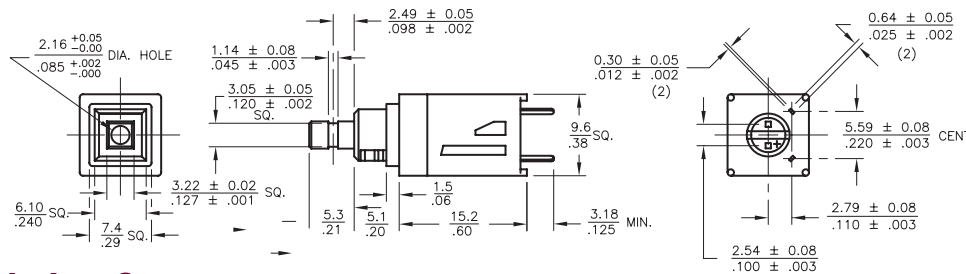
#### STANDARDS / AGENCY / RATINGS:



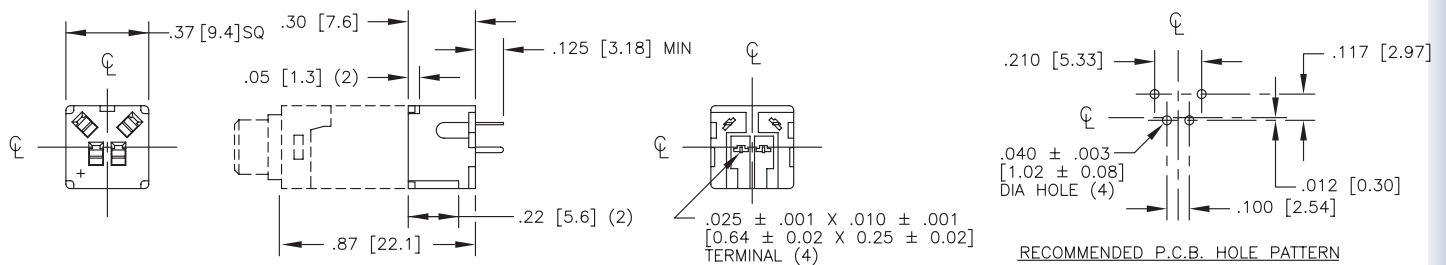
**STANDARD BUTTON STYLE**



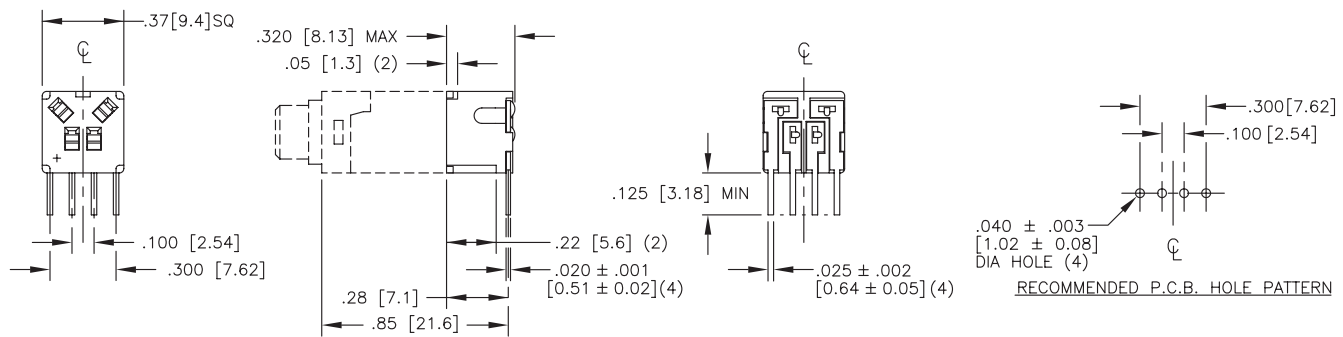
**KEYCAP BUTTON STYLE**



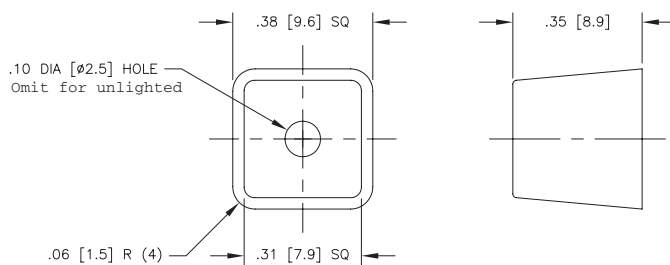
**IN-LINE CONNECTOR**



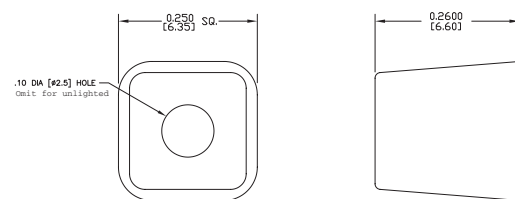
**RIGHT ANGLE CONNECTOR**



**LARGE LIGHTED & UNLIGHTED KEYCAP**



**SMALL LIGHTED & UNLIGHTED KEYCAP**



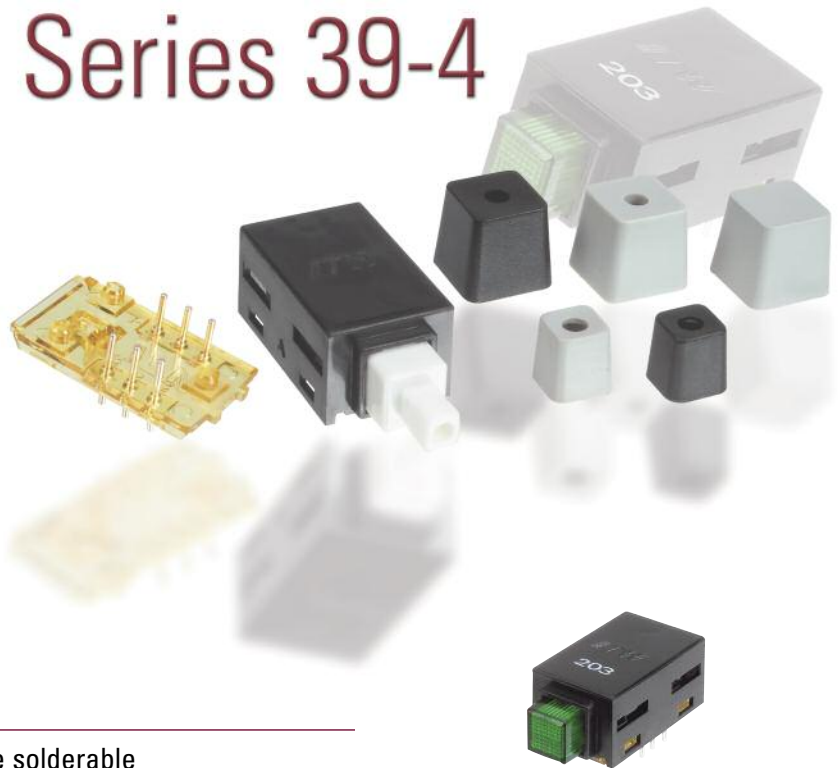
**MECHANICAL / ELECTRICAL CHARACTERISTICS:**

- Action:**  
SPST-NO-DB (Form X)
- Button travel:**  
3.05 mm (.120 in) nominal
- Operating Force:**  
113 grams nominal
- Contact Resistance:**  
Initial: 25 mΩ max.  
End of life: 50 mΩ max.
- Contact bounce:**  
Initial: 1 millisecond max.  
End of life 3 milliseconds max.
- Electrical life:**  
Momentary: 1 million cycles  
Maintained: 25,000 cycles
- Electrical rating:**  
.25A @ 30 VDC res.

## Series 39-4

### 0.25 AMP RIGHT-ANGLE DPST LIGHTED

This miniature pushbutton meets the needs for a cleaner trouble-free switch in confined space PC board applications. Only the terminal base is exposed to soldering and cleaning in this unique two-piece construction.



ACTUAL SIZE

### APPLICATIONS

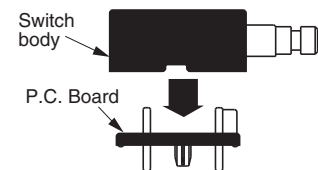
- Control panel assemblies
- Recording equipment
- Telecom switching systems
- Scientific instrumentation
- Telecom test gear

### KEY FEATURES:

- Momentary or maintained action
- Wave solderable
- Lighted (T-1 LED) or non-lighted
- Unique two piece construction
- Variety of button and keycap styles

### INSTALLATION:

The terminal base is installed manually, or with automatic equipment, on the PC board. It is then wave soldered along with other board components. The base is compatible with fluorinated, chlorinated and aqueous cleaning methods to remove flux. When the board and its components have been cleaned and dried, the pushbutton switch body, which has not been exposed to the contamination associated with these operations, is snapped positively onto the terminal base, where it is securely retained.



### ORDERING INFORMATION:

#### Button Style

Part Number	LED Color *	Button Color	Action
<b>39-422106</b>	—	Black	Momentary
<b>39-422508</b>	Red	Red	Momentary
<b>39-422607</b>	Green	Clear	Momentary
<b>39-422609</b>	Green	Green	Momentary
<b>39-422707</b>	Yellow	Clear	Momentary
<b>39-422710</b>	Yellow	Yellow	Momentary
<b>39-423508</b>	Red	Red	Maintained
<b>39-423609</b>	Green	Green	Maintained

\*Lighted styles have button and LED installed as required.

#### Keycap Style

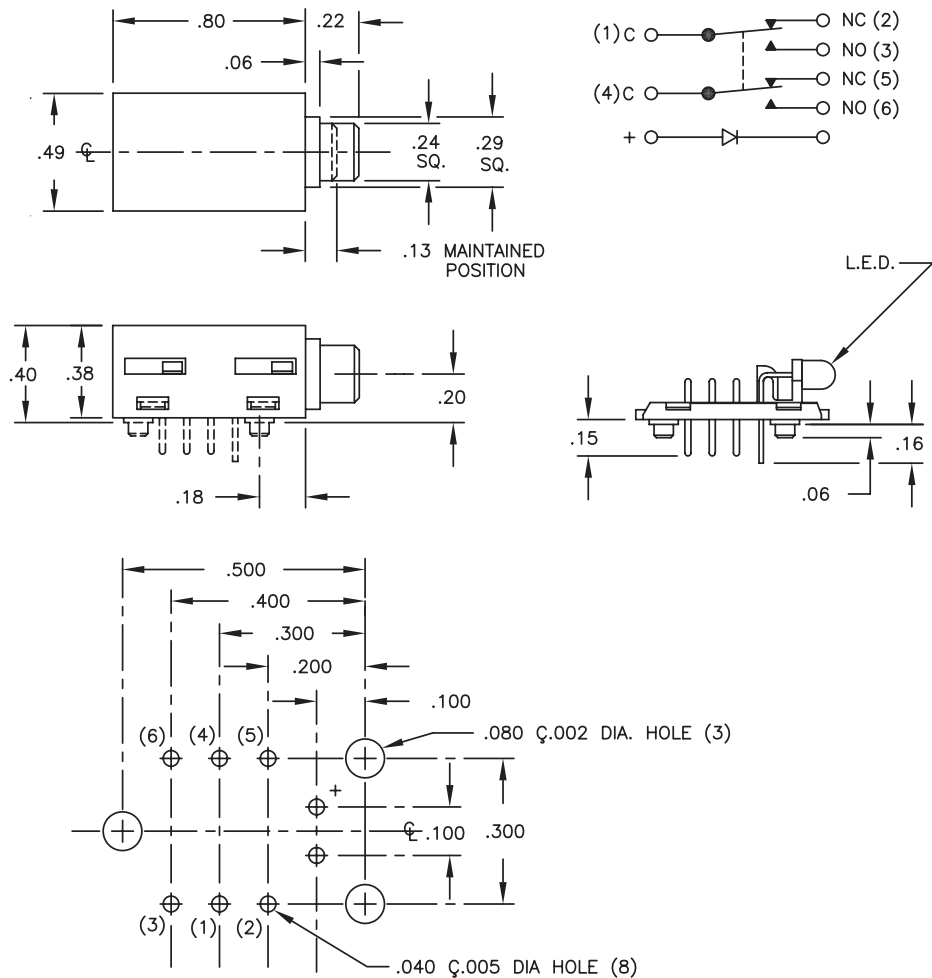
Part Number	LED Color *	Action
<b>39-522101</b>	—	Momentary
<b>39-522701</b>	Yellow	Momentary
<b>39-523101</b>	—	Maintained
<b>39-523501</b>	Red	Maintained

\* Order keycap and light pipe separately (see series 39) as necessary

### STANDARDS / AGENCY / RATINGS:



**BUTTON STYLE**



RECOMMENDED P.C. BOARD HOLE PATTERN  
COMPONENT SIDE

**MECHANICAL / ELECTRICAL CHARACTERISTICS:**

**Circuit:**  
DPDT-SB (Form CC)

**Operating force:**  
8 oz nominal

**Total travel:**  
.12 nominal

**Electrical rating:**  
.25A @ 30 VDC resistive max.

**Contact Resistance:**  
25 mΩ max. initial  
50 mΩ max. final

**Contact bounce:**  
500 microseconds max.

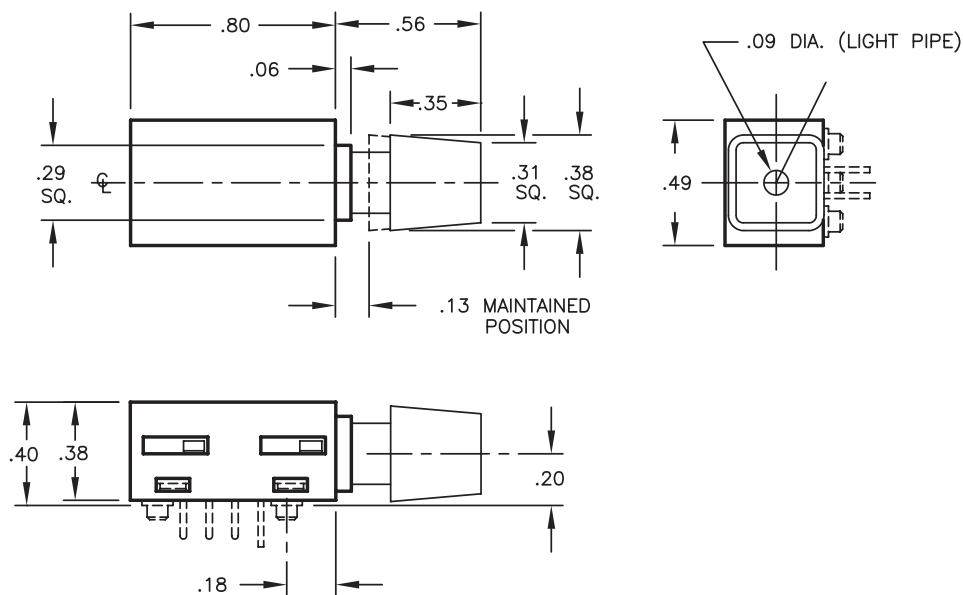
**Insulation resistance:**  
1000 MΩ min.  
@ 500 VDC

**Dielectric strength:**  
1000 VAC

**Life Momentary:**  
250,000 cycles

**Life Maintained:**  
25,000 cycles

**KEYCAP STYLE**





## Series 39-8

### SURFACE MOUNT / SOLID-STATE MINIATURE

The unique approach to SS/SMT switching allows the customer to process a Hall-effect chip and LED (optional) to their board. Then simply snap the ITW Switches Series 39-8 actuator in place. This can be done manually or robotically completing a totally process compatible switching system.

### APPLICATIONS

- Control panel assemblies
- Recording equipment
- Datacom switching systems
- Telecom switching systems
- Scientific instrumentation
- Computers

### KEY FEATURES:

- Solid-State (Hall-effect) switching
- No mechanical contacts
- Momentary or maintained action
- Lighted (Surface Mount LED) or non-lighted
- Key caps available
- Lower overall installed cost
- RoHS process compatibility



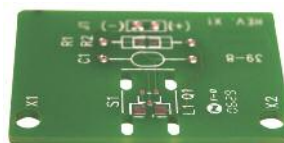
ACTUAL SIZE

### ORDERING INFORMATION:

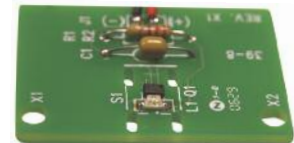
#### Switches

Part Number	Action	Polarity
39-82N	Momentary	North
39-82S	Momentary	South
39-83N	Maintained	North
39-83S	Maintained	South

①—Customer Designed PCB



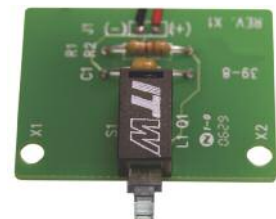
②—Customer Loaded PCB



③—ITW Series 39-8 SS/SMT Pushbutton Switch



④—Complete Assembly



### STANDARDS / AGENCY / RATINGS:



## 39-8XX

## MECHANICAL / ELECTRICAL CHARACTERISTICS:

**Action:**

SPST-NO

**Button travel:**

3.05 mm (0.13 in) nominal

**Operating Force:**

113 grams nominal

**Electrical life:**

Momentary: 1 million cycles

Maintained: 25,000 cycles

**Electrical rating:**

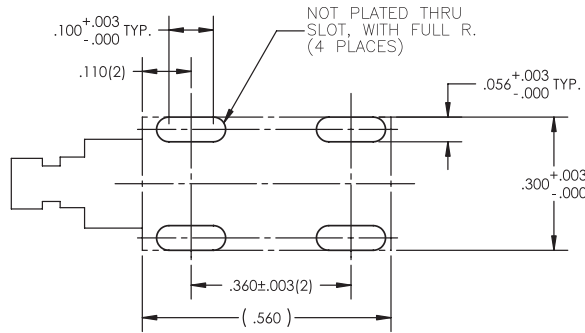
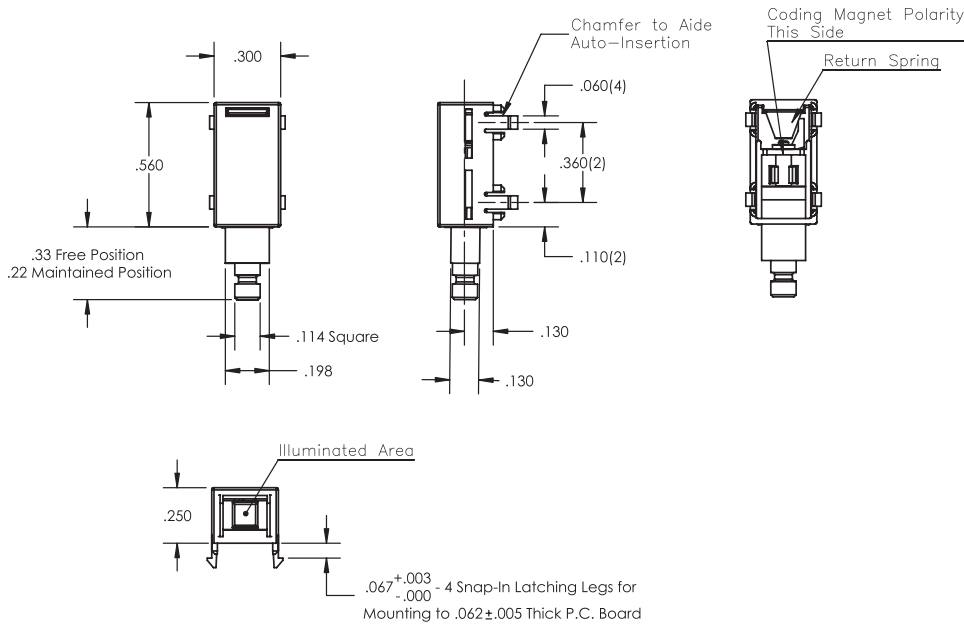
5VDC, 5mA typical

(when used with

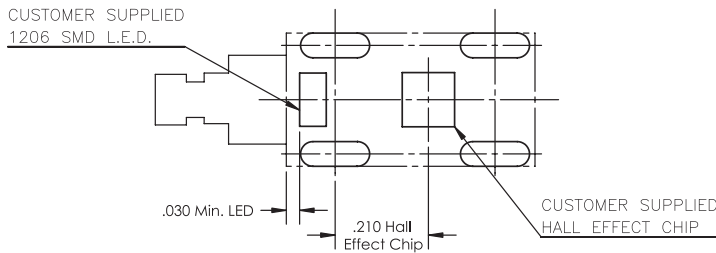
Allegro Hall Effect

P/N A3280ELHLT,

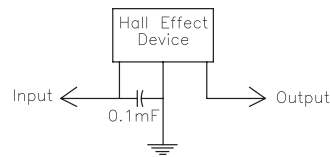
customer supplied)



RECOMMENDED P.C. BOARD MOUNTING HOLE PATTERN (VIEWED FROM COMPONENT SIDE)



RECOMMENDED PLACEMENT OF L.E.D. AND HALL EFFECT CHIP (VIEWED FROM COMPONENT SIDE)

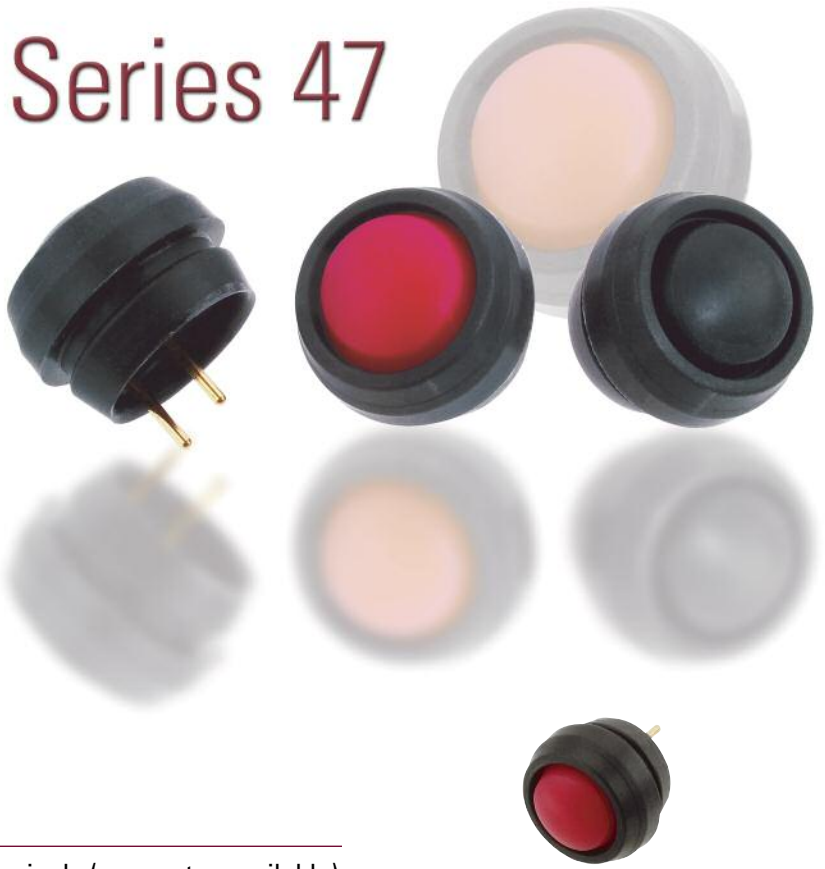


Suggested Circuitry

## Series 47

### LOW COST SEALED

The Series 47 is a uniquely designed sealed miniature pushbutton switch. The silicone button and body can be panel mounted and terminated with a standard connector or mounted in a P.C. board. The switches come in two levels of sealing: a panel sealed only version and a fully sealed version with epoxy sealed base. Both meet respective IP67 requirements. The buttons are available in seven different colors. All this at a very affordable price.



### APPLICATIONS

- Marine equipment
- Medical equipment
- Outdoor controls
- Food processing equipment
- Recreational vehicles

### KEY FEATURES:

- Sealed to IP67
- Small size
- 7 button colors
- P.C. terminals (connector available)
- Long life
- Low cost

ACTUAL SIZE

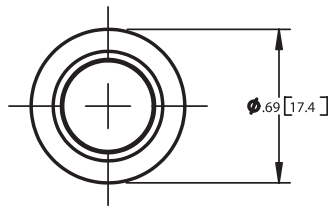
### ORDERING INFORMATION:

Part Number	Button Color	Panel Sealed	Epoxy Sealed Base
47-1111	Black	✓	✓
47-1121	Red	✓	✓
47-1131	Green	✓	✓
47-1141	White	✓	✓
47-1151	Yellow	✓	✓
47-1161	Blue	✓	✓
47-1171	Orange	✓	✓
47-2111	Black	✓	
47-2121	Red	✓	
47-2131	Green	✓	
47-2141	White	✓	
47-2151	Yellow	✓	
47-2161	Blue	✓	
47-2171	Orange	✓	

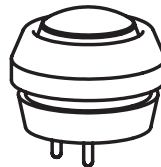
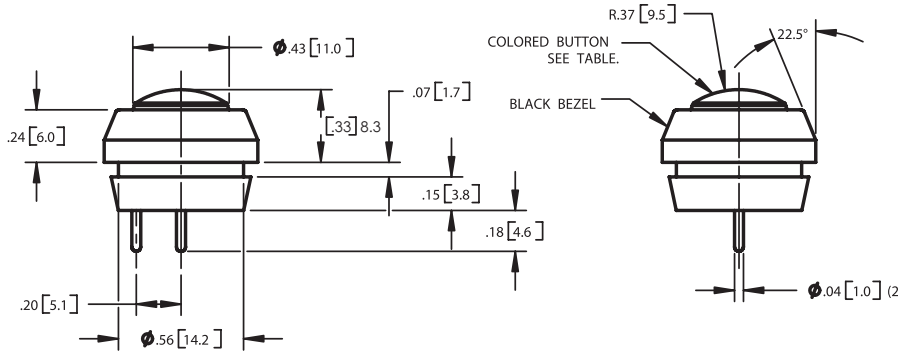
### STANDARDS / AGENCY / RATINGS:



47-XXX



SCHEMATIC  
FORM A  
SPST-NO



Installation of a bi-directional TVS diode between the outer terminal of the switch and ground is recommended to avoid voltage spikes. Consult the factory for details.

MECHANICAL / ELECTRICAL CHARACTERISTICS:

**Travel (nom):**  
.020 inches

**Life:**  
100,000 cycles

**Operating force:**  
1,000 grams (nominal)

**Sealed to:**  
IP67

**Operating temperature:**  
-40°C to +85°C

**Button material:**  
silicone

**Contact:**  
metal snap dome providing a tactile feel

**Terminal finish:**  
gold over nickel

**Dielectric strength:**  
1,000 VAC

**Insulation Resistance:**  
10,000 MΩ

**Contact Resistance (initial):**  
<100 Ω

**Current rating:**  
20 mA @ 28 VDC

**Switch terminals mate with:**  
ITW Pancon Mas-Con  
Connector CE100F24-3-DB

**Recommended panel cut-out:**  
0.565" / 0.560" diameter  
(ø14.40 / 14.22)

**Recommended panel thickness:**  
0.060" (1.52) max

## Series 48EM

### MINIATURE SEALED ELECTRO-MECHANICAL

This rugged multi-option sealed pushbutton series offers the utmost in choices of mounting styles, colors, terminations, bezels, lighting and momentary or alternate-action switching. The Series 48 offers all these options in one compact package size.



ACTUAL SIZE

### APPLICATIONS

- Office equipment
- Medical equipment
- Industrial machinery
- Outdoor controls
- Mass transportation
- Food processing equipment

### KEY FEATURES:

- Momentary or maintained action
- Gold contacts
- Many button colors
- Choice of LED colors (or non-lighted versions)
- Long life
- Solder or PC terminals
- Panel sealed to IP 67

### ORDERING INFORMATION:

Switch Function	Switch Termination	Module Type	Bezel Type	LED Color	Button Color	Mounting Type	Voltage Resistor
Momentary	Solder Tabs	<b>48-1</b>	<b>RB</b> - Round, Black	<b>N</b> - None	<b>RD</b> - Red	<b>B</b> - Bushing	If Blank*
Maintained	Solder Tabs	<b>48-2</b>	<b>SB</b> - Square, Black	<b>R</b> - Red	<b>GR</b> - Green	<b>S</b> - Snap-fit	<b>05</b> - 5V forward
Momentary	PC	<b>48-5</b>	<b>RC</b> - Round, Chrome	<b>G</b> - Green	<b>BK</b> - Black		
Maintained	PC	<b>48-6</b>	<b>SC</b> - Square, Chrome	<b>Y</b> - Yellow	<b>BL</b> - Blue		
Momentary	Wire Leads	<b>48-A</b>		<b>A</b> - Amber	<b>YL</b> - Yellow		
Maintained	Wire Leads	<b>48-B</b>		<b>B</b> - Blue	<b>OR</b> - Orange		
				<b>W</b> - White	<b>CR</b> - Chrome		
					<b>PK</b> - Black with Standby Symbol		
					<b>WH</b> - White		

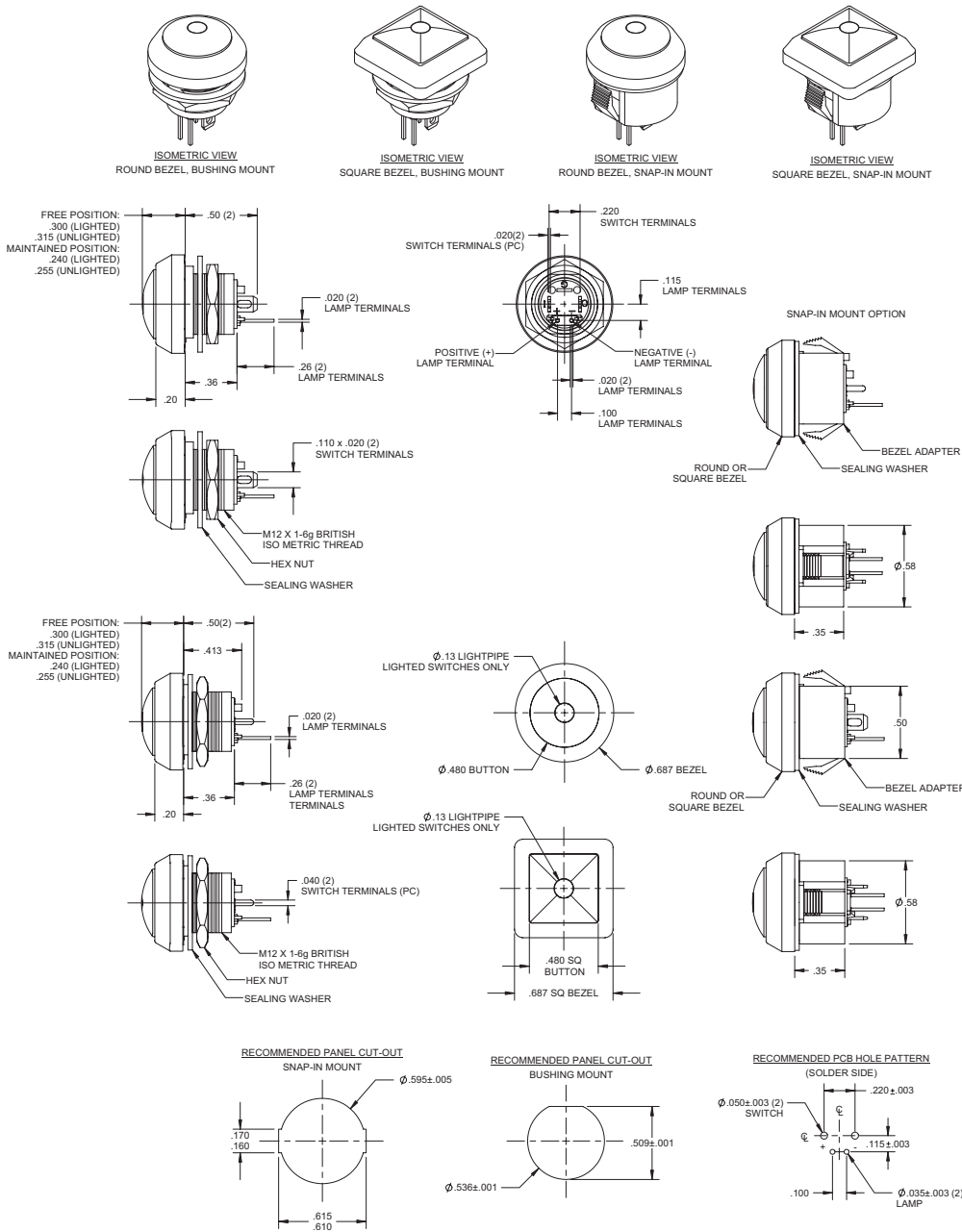
48-
 
 
 
 
 

\* Current limiting resistor is required to limit LED forward current to 20 mA (not included).

### STANDARDS / AGENCY / RATINGS:



## PRODUCT DRAWINGS



## MECHANICAL / ELECTRICAL CHARACTERISTICS:

- Circuit:** SPST-NO-DB
- Button travel (nominal):** 0.09 inches / 2.3 mm
- Operating force (nominal):** 3N / 306 grams
- Contact bounce (nominal):** 1 millisecond
- Panel thickness:** 0.02 – 0.12 inches / 0.5 – 3mm
- Temperature index:** -40° F to + 185° F
- LED operating temperature:** -13° F to +185° F / -25° C to +85° C
- Current ratings (resistive):**
  - 250mA @ 12VDC, 100K cycles
  - 150mA @ 28VDC, 150K cycles (momentary)
  - 100mA @ 48VDC, 100K cycles
  - 10mA @ 12VDC, 1 million cycles (momentary)
- Dielectric strength:** 1,000 VAC
- Insulation resistance:** 1G OHM
- Contact resistance:** 50 m $\Omega$  max (initial)
- Torque (max):** 10 inch pounds

## Series 48SS

### MINIATURE HALL-EFFECT SEALED

This rugged sealed pushbutton switch uses a Hall-Effect sensor to achieve extremely long life, up to 1,000,000 cycles momentary. This switch is suited for harsh environments where long life and reliability are needed.



ACTUAL SIZE

### APPLICATIONS

- Communications
- Data entry
- Hand-held control modules
- Outdoor controls
- Mass transport controls
- Instrumentation

### KEY FEATURES:

- 1,000,000 cycles momentary
- Momentary and maintained action
- Hall-Effect technology
- Choice of LED colors (or non-lighted versions)
- Panel sealed to IP67
- Variety of Button colors
- Square and round versions available

### ORDERING INFORMATION:

Switch Function	Switch Termination	Module Type	Bezel Type	LED Color	Button Color	Mounting Type	Voltage Resistor
Momentary	Solder Tabs	<b>48-3</b>	<b>RB</b> - Round, Black	<b>N</b> - None	<b>RD</b> - Red	<b>B</b> - Bushing	If Blank*
Maintained	Solder Tabs	<b>48-4</b>	<b>SB</b> - Square, Black	<b>R</b> - Red	<b>GR</b> - Green	<b>S</b> - Snap-fit	<b>05</b> - 5V forward
Momentary	PC	<b>48-7</b>	<b>RC</b> - Round, Chrome	<b>G</b> - Green	<b>BK</b> - Black		
Maintained	PC	<b>48-8</b>	<b>SC</b> - Square, Chrome	<b>Y</b> - Yellow	<b>BL</b> - Blue		
Momentary	Wire Leads	<b>48-C</b>		<b>A</b> - Amber	<b>YL</b> - Yellow		
Maintained	Wire Leads	<b>48-D</b>		<b>B</b> - Blue	<b>OR</b> - Orange		
				<b>W</b> - White	<b>CR</b> - Chrome		
					<b>PK</b> - Black with Standby Symbol		
					<b>WH</b> - White		

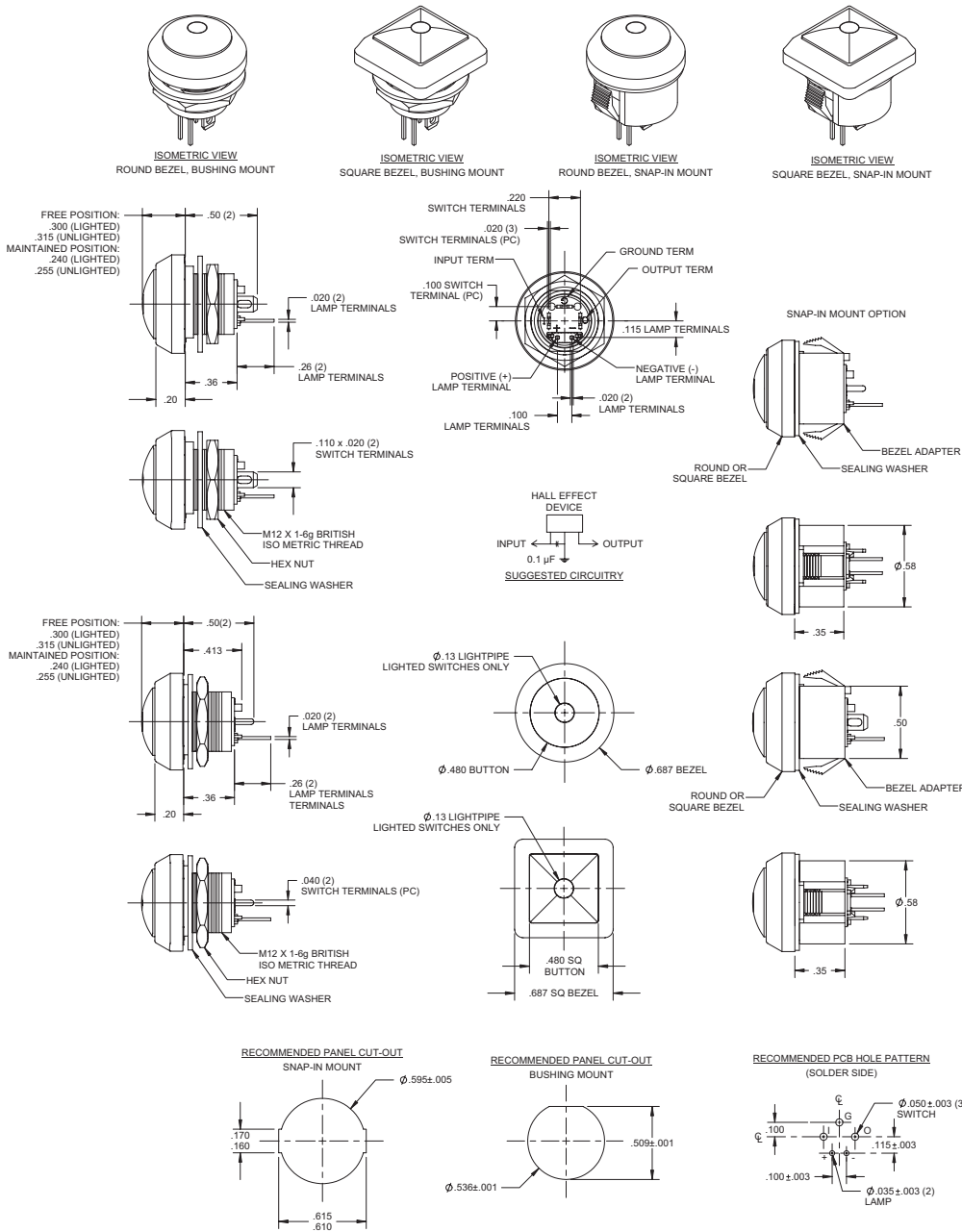
48-

\* Current limiting resistor is required to limit LED forward current to 20 mA (not included).

### STANDARDS / AGENCY / RATINGS:



## PRODUCT DRAWINGS



## MECHANICAL / ELECTRICAL CHARACTERISTICS:

### Circuit:

SPST-NO

### Button travel (nominal):

0.09 inches / 2.3 mm

### Life (mechanical) (nominal):

1,000,000 cycles (momentary)  
100,000 cycles (maintained)

### Operating force (nominal):

3N / 306 grams

### Panel thickness:

0.02 – 0.12 inches / 0.5 – 3mm

### Temperature index:

-40°F to + 185°F

### LED operating temperature:

-13° F to +185° F /  
-25° C to +85° C

### Supply voltage:

4.2V to 24V, 26.5V Max.

### Supply current:

B<Brp, Vcc=12V: 3mA Typ.  
To 8mA Max.  
B>Bop, Vcc=12V: 4mA Typ.  
To 8mA Max.

### Output current:

20 mA

### Reverse battery voltage:

-30V Max.

### Reverse output current:

-50mA Max.

### Torque (max):

10 inch pounds



## Series 48M-EM

### PANEL SEALED METAL ELECTRO-MECHANICAL

Built on the proven series 48 platform these rugged switches come in stainless steel or chrome plated housings with either momentary or maintained action and lighted or unlighted versions. The variety of options in this compact package size make the 48M ideal for many applications



ACTUAL SIZE

### APPLICATIONS

- Outdoor Controls
- Security Equipment
- Medical Equipment
- Food Processing Equipment
- Military Equipment
- Industrial Machinery
- Transportation: Mass-Transit, Lift Trucks

### KEY FEATURES:

- Momentary or Maintained Action
- Stainless Steel Housing
- Center Spot or Ring Illumination
- Variety of LED colors
- Electro-Mechanical
- Panel Sealed to IP67
- ROHS Compliant
- Gold Plated Contact and Terminals

### ORDERING INFORMATION:

#### SWITCH FUNCTION:

1. MECHANICAL, MOMENTARY, SOLDER TERMINAL
2. MECHANICAL, MAINTAINED, SOLDER TERMINAL
5. MECHANICAL, MOMENTARY, PC TERMINAL
6. MECHANICAL, MAINTAINED, PC TERMINAL
- A. MECHANICAL, MOMENTARY, WIRE LEADS
- B. MECHANICAL, MAINTAINED, WIRE LEADS
9. SPECIAL, DIGITS ARE IN SERIAL ORDER

#### HOUSING MATERIAL:

1. STAINLESS STEEL
2. ZINC ALLOY CHROME PLATED

#### ILLUMINATION:

0. NON-LIT
1. CENTER SPOT ILLUMINATION
2. RING ILLUMINATION
3. ILLUMINATED POWER SYMBOL

#### LED COLOR:

- N. NONE
- G. GREEN L.E.D.
- R. RED L.E.D.
- A. AMBER L.E.D.
- B. BLUE L.E.D.
- W. WHITE L.E.D.

#### VOLTAGE RESISTOR

- If BLANK \*
- 05 5V FORWARD

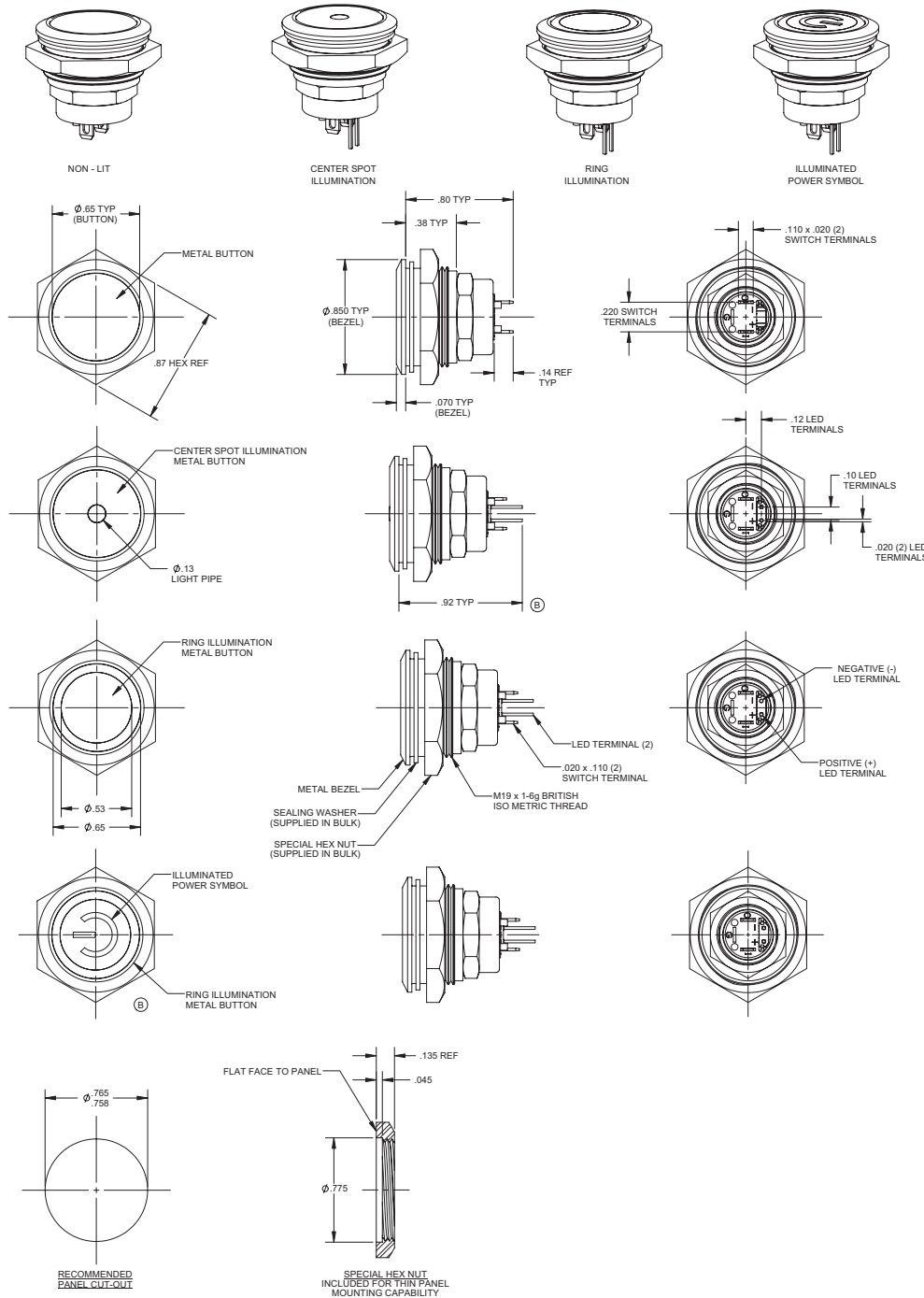
48M-

\* Current limiting resistor is required to limit LED forward current to 20 mA (not included).

### STANDARDS / AGENCY / RATINGS:



## PRODUCT DRAWINGS



## MECHANICAL / ELECTRICAL CHARACTERISTICS:

### Circuit:

SPST-NO-DB

### Button travel (nominal):

0.09 inches / 2.3 mm

### Operating force (nominal):

3N / 306 grams

### Contact bounce (nominal):

1 millisecond

### Panel thickness:

0.50" – 0.150" 1.3 – 3.8mm)

### Temperature index:

-40°C to +85°C

### LED operating temperature:

-13° F to +185° F /

-25° C to +85° C

### Torque (max):

10 inch pounds

### LED operating temperature:

-13° F to +185° F /

-25° C to +85° C

### Current ratings (resistive):

250mA @ 12VDC, 100K cycles

150mA @ 28VDC, 150K cycles  
(momentary)

100mA @ 48VDC, 100K cycles

10mA @ 12VDC, 1 million cycles  
(momentary)

## ELECTRO-MECHANICAL

### Dielectric strength:

1,000 VAC

### Insulation resistance:

1 GΩ

### Contact resistance:

50 mΩ max (initial)

## PANEL MOUNTING AND CONSTRUCTION INFORMATION

The series 48M mounts easily into panels of minimum 0.50" (1.3 mm) and maximum 0.150" (3.8 mm) thickness. Front panel sealing to IP67 is achieved by a sealing o-ring fitted to the body of the switch before it is inserted into the panel hole cut-out. It is held onto the panel by means of a brass hex nut tightened down to a torque of 10 inch pounds to achieve the correct sealing pressure.

## Series 48M-SS

### PANEL SEALED METAL HALL-EFFECT

Built on the proven series 48 platform these rugged switches come in stainless steel or chrome plated housings with either momentary or maintained action and lighted or unlighted versions. The variety of options in this compact package size make the 48M ideal for many applications.



ACTUAL SIZE

### APPLICATIONS

- Outdoor Controls
- Security Equipment
- Medical Equipment
- Food Processing Equipment
- Military Equipment
- Industrial Machinery
- Transportation: Mass-Transit, Lift Trucks

### KEY FEATURES:

- Momentary or Maintained Action
- Solid State
- Stainless Steel Housing
- Panel Sealed to IP67
- Center Spot or Ring Illumination
- ROHS Compliant
- Variety of LED colors
- Gold Plated Contact and Terminals

### ORDERING INFORMATION:

#### SWITCH FUNCTION:

3. SOLID STATE, MOMENTARY, SOLDER TERMINAL
4. SOLID STATE, MAINTAINED, SOLDER TERMINAL
7. SOLID STATE, MOMENTARY, PC TERMINAL
8. SOLID STATE, MAINTAINED, PC TERMINAL
- C. SOLID STATE, MOMENTARY, WIRE LEADS
- D. SOLID STATE, MAINTAINED, WIRE LEADS
9. SPECIAL, DIGITS ARE IN SERIAL ORDER

#### HOUSING MATERIAL:

1. STAINLESS STEEL
2. ZINC ALLOY CHROME PLATED

#### ILLUMINATION:

0. NON-LIT
1. CENTER SPOT ILLUMINATION
2. RING ILLUMINATION
3. ILLUMINATED POWER SYMBOL

#### LED COLOR:

- N. NONE
- G. GREEN L.E.D.
- R. RED L.E.D.
- A. AMBER L.E.D.
- B. BLUE L.E.D.
- W. WHITE L.E.D.

#### VOLTAGE RESISTOR

- IF BLANK \*
- 05 5V FORWARD

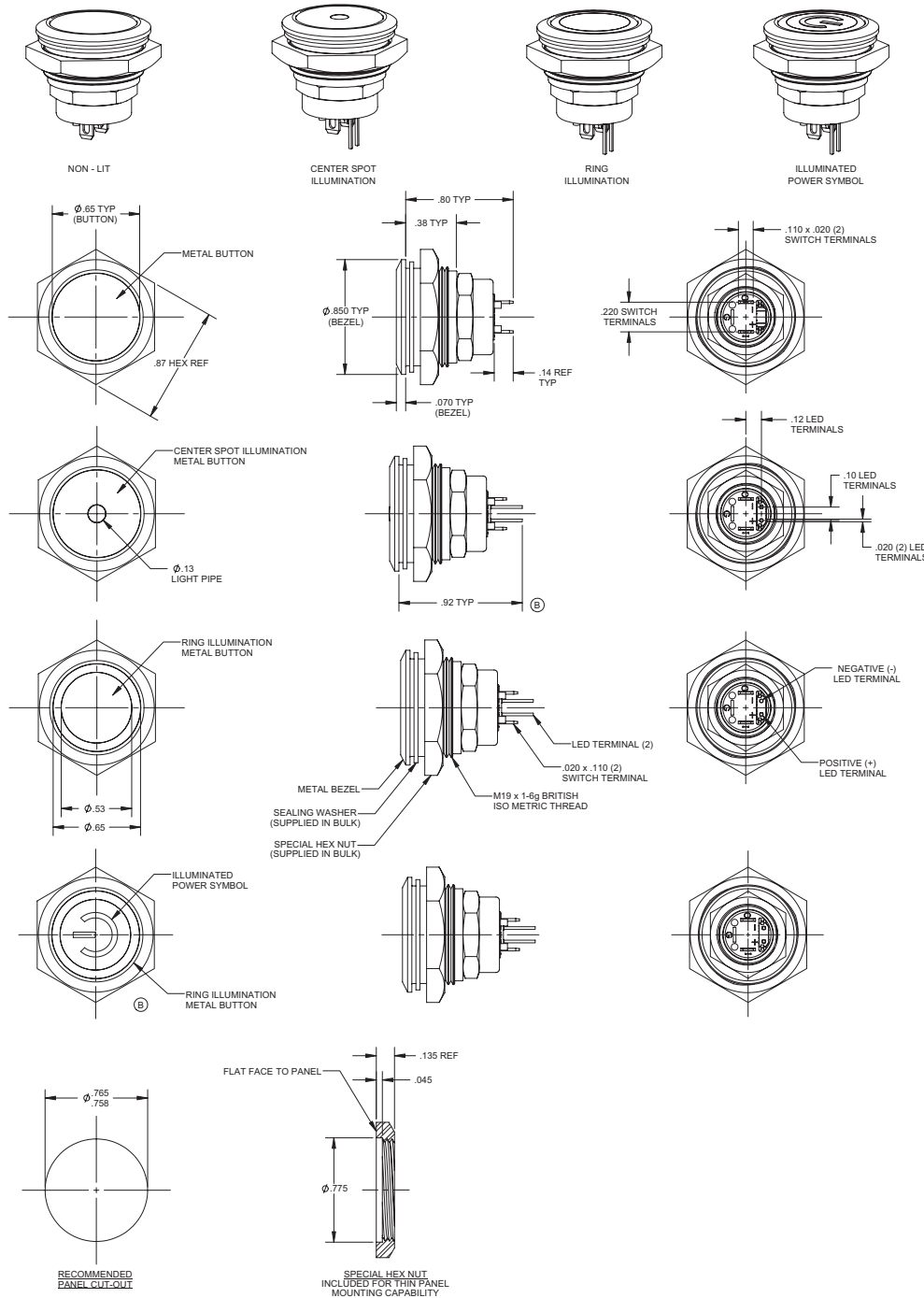
48M-

\* Current limiting resistor is required to limit LED forward current to 20 mA (not included).

### STANDARDS / AGENCY / RATINGS:



## PRODUCT DRAWINGS



## MECHANICAL / ELECTRICAL CHARACTERISTICS:

### Circuit:

SPST-NO

### Button travel (nominal):

0.09 inches / 2.3 mm

### Life (mechanical) (nominal):

1,000,000 cycles (momentary)  
100,000 cycles (maintained)

### Operating force (nominal):

3N / 306 grams

### Panel thickness:

0.02 – 0.12 inches / 0.5 – 3mm

### Temperature index:

-40°F to + 185°F

### LED operating temperature:

-13° F to +185° F /  
-25° C to +85° C

### Supply voltage:

4.2V to 24V, 26.5V Max.

### Supply current:

B<Brp, Vcc=12V: 3mA Typ.  
To 8mA Max.  
B>Bop, Vcc=12V: 4mA Typ.  
To 8mA Max.

### Output current:

20 mA

### Reverse battery voltage:

-30V Max.

### Reverse output current:

-50 mA Max.

### Torque (max):

10 inch pounds

## PANEL MOUNTING AND CONSTRUCTION INFORMATION

The series 48M mounts easily into panels of minimum 0.50" (1.3 mm) and maximum 0.150" (3.8 mm) thickness. Front panel sealing to IP67 is achieved by a sealing o-ring fitted to the body of the switch before it is inserted into the panel hole cut-out. It is held onto the panel by means of a brass hex nut tightened down to a torque of 10 inch pounds to achieve the correct sealing pressure.

## Series 49

### MINIATURE SEALED ESD RESISTANT

This switch series is rugged, panel sealed, available with round or square bezels and LED lighted or non-lighted. Bushing mount or snap-in mounting available. Series 49 switches are ideal for demanding applications in harsh environments where water, moisture or dust are problematic.

### APPLICATIONS

- Industrial equipment control handles
- Dog training control modules
- Outdoor controls
- Medical equipment
- Beverage dispensing

### KEY FEATURES:

- Normally open or closed circuitry
- Momentary action
- LED lighted or non-lighted
- .110 Quick Connect or Solder terminals available
- Gold contacts
- ESD 15KV minimum
- Panel sealed to IP67
- Long life – up to 1 million cycles
- Threaded or snap-in mounting



ACTUAL SIZE

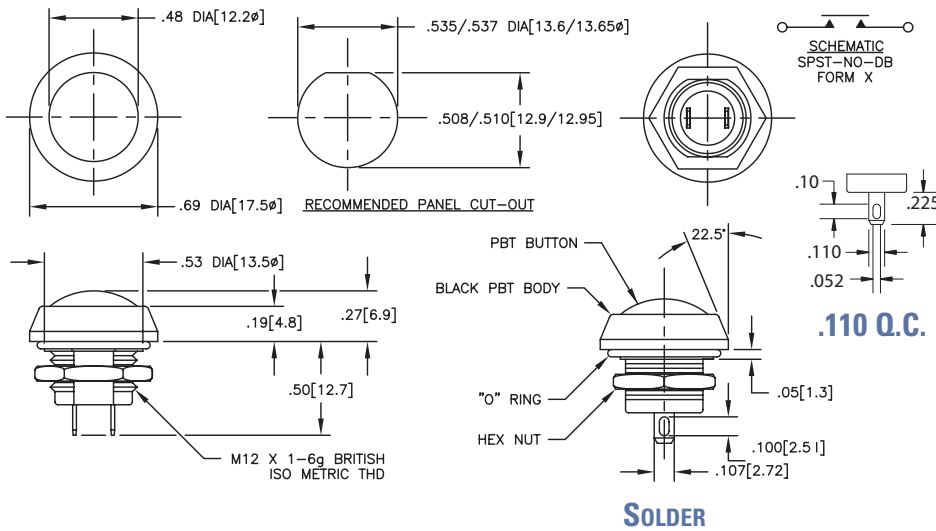
### ORDERING INFORMATION:

Part Number	Body Style	Button Color	LED Color	Contacts	Terminals
49-111	Round bezel	Black	—	Normally Open	Solder
49-112	Round bezel	Red	—	Normally Open	Solder
49-113	Round bezel	Green	—	Normally Open	Solder
49-411G	Illuminated round	Black	Green	Normally Open	Solder
49-411R	Illuminated round	Black	Red	Normally Open	Solder
49-412G	Illuminated round	Red	Green	Normally Open	Solder
49-412R	Illuminated round	Red	Red	Normally Open	Solder
49-413G	Illuminated round	Green	Green	Normally Open	Solder
49-413R	Illuminated round	Green	Red	Normally Open	Solder
49-9111	Snap-in round	Black	—	Normally Open	Solder
49-9113	Snap-in round	Green	—	Normally Open	Solder
49-611	Round bezel	Black	—	Normally Closed	Solder
49-612	Round bezel	Red	—	Normally Closed	Solder
49-613	Round bezel	Green	—	Normally Closed	Solder
49-131	Round bezel	Black	—	Normally Open	.110 QC
49-132	Round bezel	Red	—	Normally Open	.110 QC
49-133	Round bezel	Green	—	Normally Open	.110 QC

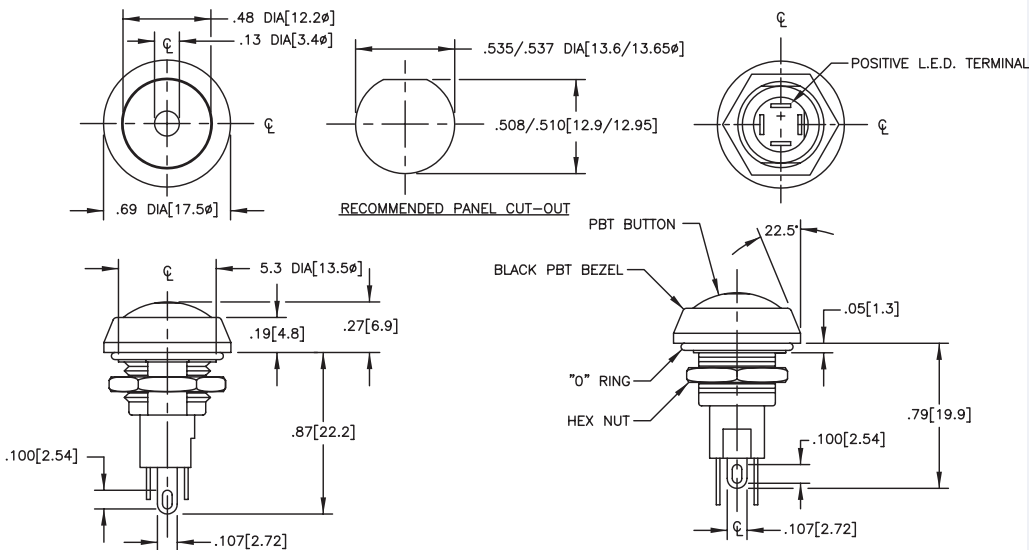
### STANDARDS / AGENCY / RATINGS:



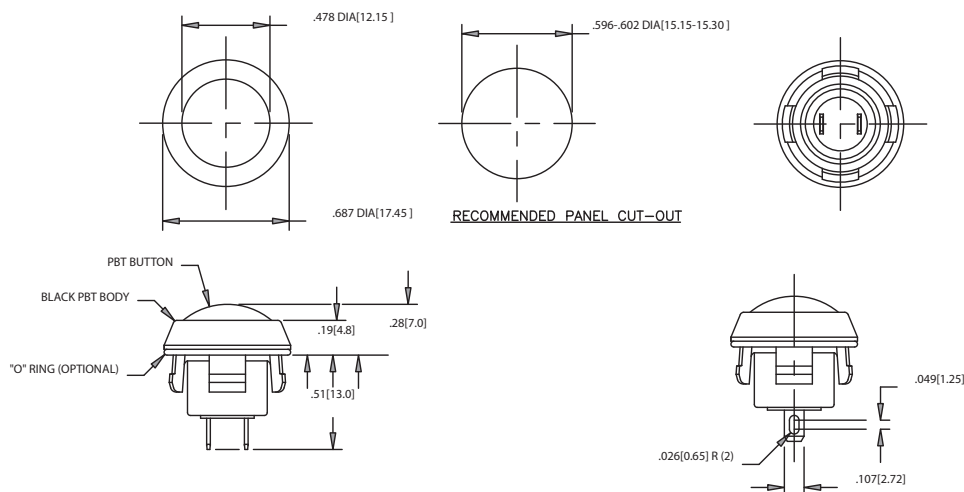
## 49-11X & 49-61X SERIES



## 49-41X SERIES



## 49-91X SERIES



## MECHANICAL / ELECTRICAL CHARACTERISTICS:

### Circuit:

SPST-NO-DB or SPST-NC-DB

### Travel (nominal):

0.09 inches / 2.3 mm

### Life (nominal):

1,000,000 cycles (mechanical)

500,000 cycles (electrical)

### Operating temperature:

-20°C to +85°C

(-4°F to +185°F)

### Operating force (nominal):

3N / 306 grams

### Contact bounce (nominal):

1 millisecond

### LED:

T-1

### Dielectric strength:

1,000 VAC

### Insulation resistance:

1 GΩ

### Contact resistance:

50 mΩ max (initial)

### Switching power (max):

16 VA AC

### Mounting Torque (max):

15 inch pounds

### Electrical Ratings:

Circuitry	Current	Voltage
SPST-DB-NO	400 mA	32 VAC Res
SPST-DB-NC	100 mA	50 VDC Res
	125 mA	125 VAC Res

## Series 49-59W

### FULLY SEALED PUSHBUTTON WITH WIRE LEADS

This fully sealed switch series is SPST-DB for a variety of circuit requirements. The double break mechanism also provides reliable switching of DC loads. This rugged switch is ideal for harsh environments.

### APPLICATIONS

- Communications
- Instrumentation
- Data processing
- Military environments
- Mass transport controls
- Dry circuit switching

### KEY FEATURES:

- Fully sealed to IP67
- Momentary action
- Wire leads
- Flame retardant UL rated material
- Gold plated contacts
- Life up to 500,000 cycles



ACTUAL SIZE

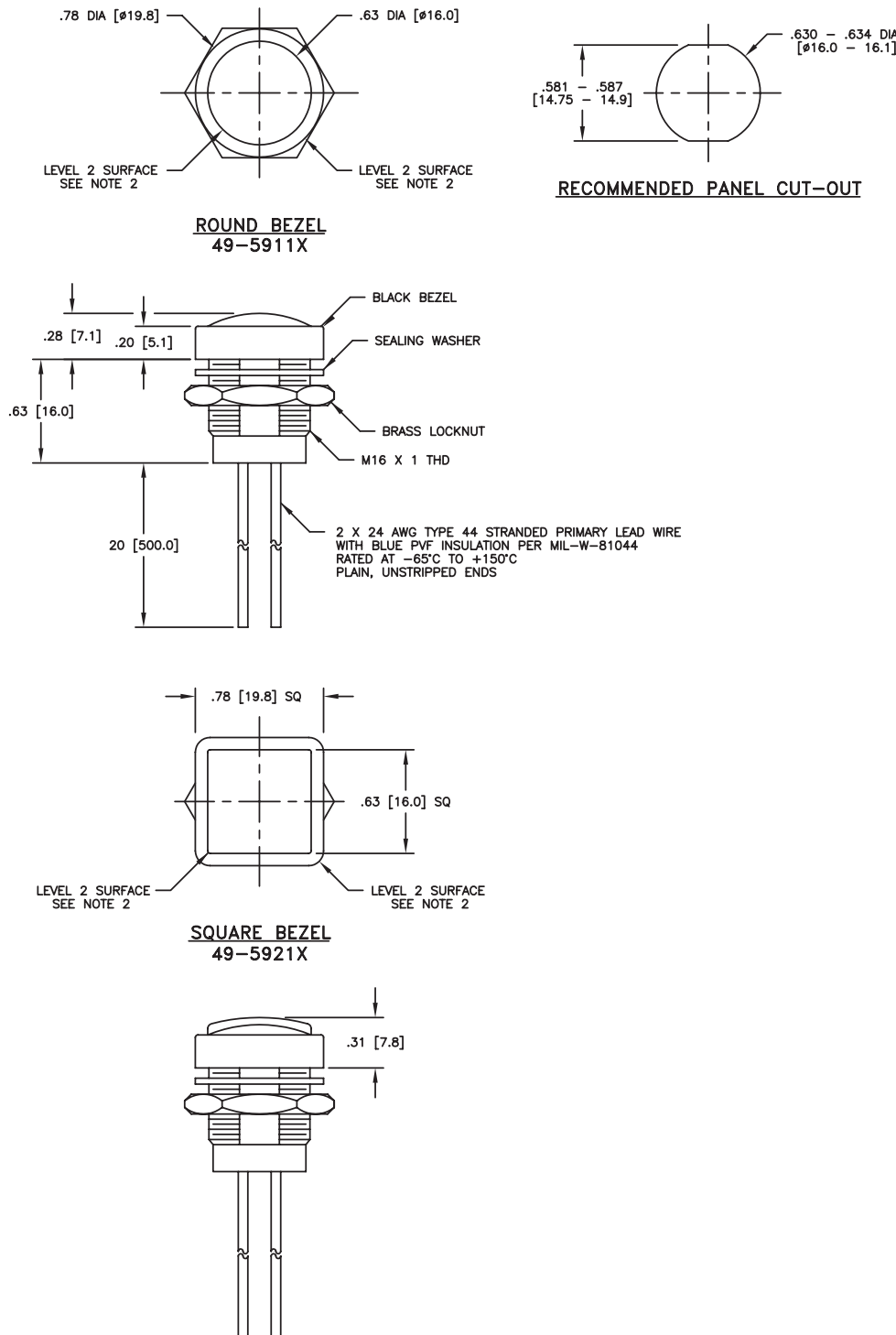
### ORDERING INFORMATION:

Part Number	Button Style	Button Color
49-59111	Round bezel	Black
49-59112	Round bezel	Red
49-59113	Round bezel	Green
49-59211	Square bezel	Black
49-59212	Square bezel	Red
49-59213	Square bezel	Green

### STANDARDS / AGENCY / RATINGS:



PRODUCT DRAWINGS



MECHANICAL / ELECTRICAL CHARACTERISTICS:

- Circuit:**  
SPST-NO-DB
- Travel:**  
0.09 inches / 2.3 mm (nominal)
- Operating force:**  
3N / 306 grams
- Panel thickness:**  
0.31 inches 8 mm (Max)
- Contact material:**  
gold plated palladium nickel
- Contact resistance (initial):**  
150 mΩ max including wire leads
- Current Rating (typical):**  
400mA at 32 VAC resistive  
100mA at 50 VDC resistive  
125mA at 125 VAC resistive
- Dielectric strength:**  
1000 VAC for 1 min
- Insulation resistance:**  
1 GΩ @ 500 VDC
- Contact resistance:**  
50 mΩ max initial including leads
- Life (nominal):**  
1,000,000 cycles (mechanical)  
500,000 (max) cycles (electrical)
- Operating temperature:**  
-55°C to 105°C  
(-67°F to +221°F)
- Body and button material:**  
PBT



## Series 49-59T

### PANEL SEALED PUSHBUTTON WITH SERIES 16 & 26 SNAP SWITCHES

These rugged panel sealed pushbuttons employ the workhorse basic switches for high (or low) current applications. The pushbuttons are available with square or round bezels. These switches are ideal for harsh environments.

#### APPLICATIONS

- Environmentally demanding keypads
- Mass transport controls
- Communications
- Instrumentation
- Data processing
- Military environments

#### KEY FEATURES:

- Panel sealed to IP67
- Momentary action
- Solder terminals
- Flame retardant UL rated material
- Life (min.) – 1,000,000 cycles
- Available with Series 16 or 26 switch
- Rated up to 10 amps



ACTUAL SIZE

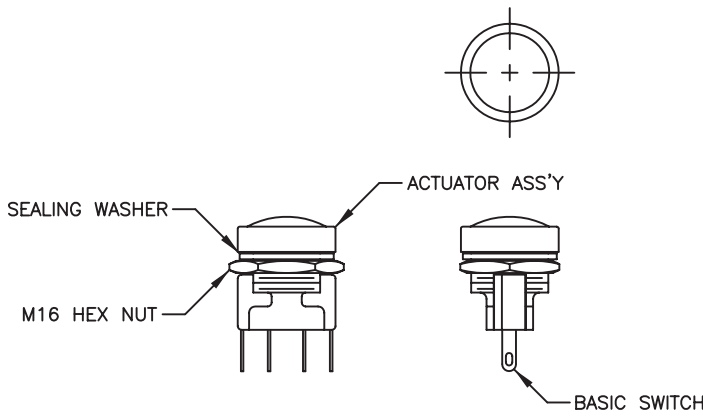
#### ORDERING INFORMATION:

Part Number	Button Style	Button Color	Circuit	Contact Material
<b>49-5911 / 530004</b>	Round	Black	SPDT-DB	Silver
<b>49-5912 / 530004</b>	Round	Red	SPDT-DB	Silver
<b>49-5913 / 530004</b>	Round	Green	SPDT-DB	Silver
<b>49-5911 / 810</b>	Round	Black	DPDT-DB	Enhanced Gold
<b>49-5912 / 810</b>	Round	Red	DPDT-DB	Enhanced Gold
<b>49-5913 / 810</b>	Round	Green	DPDT-DB	Enhanced Gold

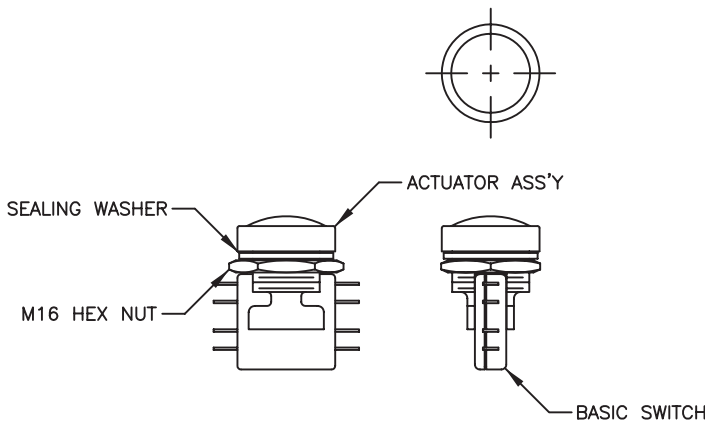
#### STANDARDS / AGENCY / RATINGS:



49-591x / 530004



49-591x / 810



Current rating: 26-810

Load	Sea Level				70,000 Ft.	
	28 VDC DPDT	28 VDC 4 CKT	115 VAC 60 HZ DPDT	115 VAC 60 HZ 4 CKT	28 VDC DPDT	28 VDC 4 CKT
Resistive	8 amp	8 amp	6 amp	4 amp	8 amp	8 amp
Inductive	6 amp	4 amp	4 amp	4 amp	2 amp	1 amp
Lamp	0.5 amp	0.5 amp	2 amp	1 amp	—	—

INSTALLATION:

The actuator assembly is installed from the front of the panel and locked down with the hex nut using a 20mm spanner. To attain the correct sealing, the nut should be tightened to a recommended torque of between 1.106 pound/foot (1.5 Nm) not exceeding 1.475 pound/foot (2 Nm). The basic switch can then be snapped into place from the back of the panel. Panel Thickness (Max): .118 (3.0).

MECHANICAL / ELECTRICAL CHARACTERISTICS:

Travel (nom):

0.09 inches / 2.3 mm

Operating force (nom):

387g–561g (3.8N–5.5N)

Dielectric strength:

1,000 VAC for 1 minute

Insulation resistance:

1 GΩ @ 500 VDC

Contact resistance initial:

25 mΩ max.

Electrical Life:

50,000 cycles @ 158°F (70°C)

Current rating 16-530004:

Form X or Y: 10 amps 125 VAC;

10 amps 28 VDC IND.

Form Z: 5 amps 125/250 VAC;

3 amps 28 VDC IND.

Current rating 26-810:

See chart on left

Operating temperature:

-67°F to +221°F

(-55°C to +105°C)

Body/Button material:

PBT

Contacts 16-530004:

silver

Contacts 26-810

enhanced gold

## Series 57

### MINIATURE VANDAL RESISTANT SEALED

This rugged miniature, momentary action, sealed switch series is ideal for a variety of applications in harsh environments where durability is key. It is panel sealed to IP67 and designed to be impact resistant.

### APPLICATIONS

- Military / Aerospace
- Process Controls
- Security Access Controls
- Medical Instrumentation
- Computers
- Transportation: Mass-transit, Marine, Lift Trucks, Personal and Recreational Vehicles, Rail

### KEY FEATURES:

- Panel sealed to IP67
- Momentary action
- Impact resistant
- Non-spark material
- Lighted and non-lighted versions
- Wide temperature range: -40°C to +125°C
- Gold Plated Palladium Nickel contacts



ACTUAL SIZE

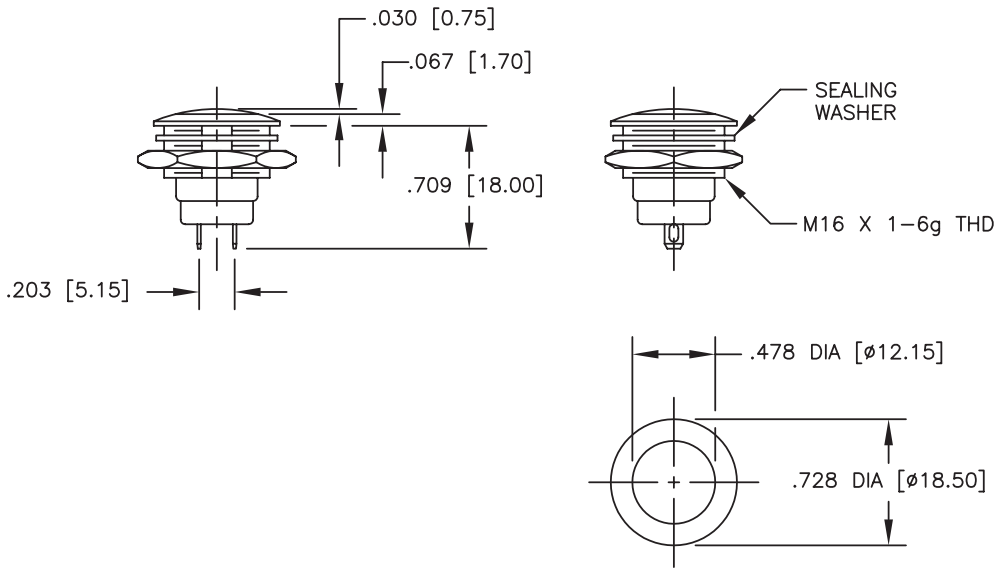
### ORDERING INFORMATION:

Part Number	Lighted	LED Color
<b>57-111</b>	No	—
<b>57-112B</b>	Yes	Blue
<b>57-112G</b>	Yes	Green
<b>57-112R</b>	Yes	Red

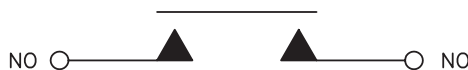
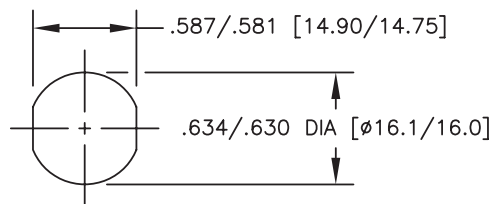
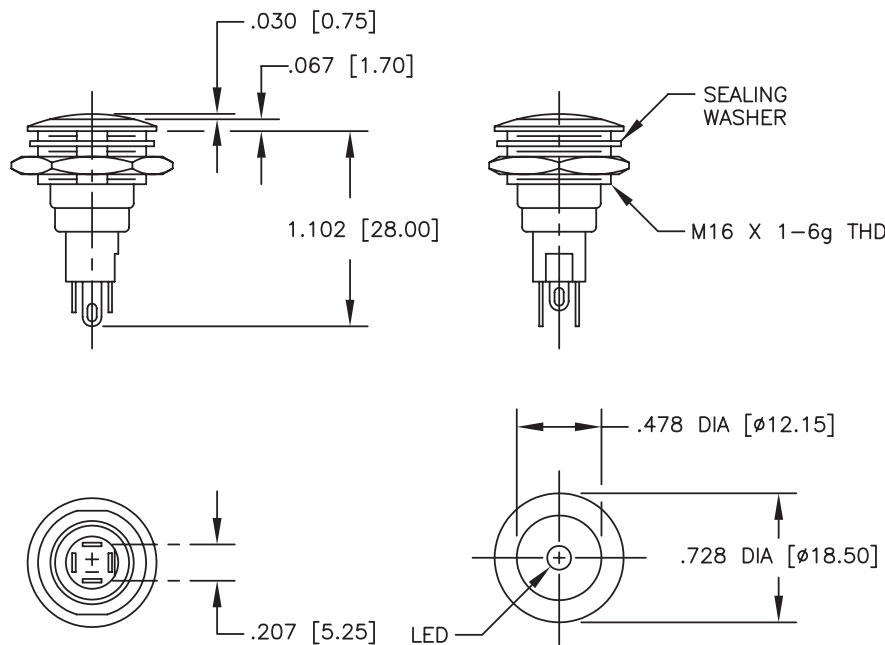
### STANDARDS / AGENCY / RATINGS:



**NON-LIGHTED**



**LIGHTED**



**MECHANICAL / ELECTRICAL CHARACTERISTICS:**

**Travel (nom):**  
0.09 inches / 2.3 mm

**Life (nominal):**  
1,000,000 cycles (mechanical)  
500,000 cycles (electrical)

**Operating force (nom):**  
3N / 306 grams

**Contact bounce (nom):**  
1 millisecond

**Panel thickness (max):**  
0.118 inches / 3.0 mm

**Contact resistance initial:**  
50 mΩ (Max)

**Current Rating (typical):**  
400mA at 32 VAC resistive  
100mA at 50 VDC resistive  
125mA at 125 VAC resistive

**Switching power (max):**  
16VA AC

**Shock:**  
100g

**Body and button material:**  
Velour chrome plated  
zinc alloy

**Terminals:**  
gold plated brass

**Soldering information:**  
608°F (320°C) max for 3s

## Series 57M-EM

### MINIATURE PANEL SEALED METAL

The 57M is a miniature switch designed for rugged environments. The housing is zinc alloy with velour chrome plating. It is available as maintained or momentary action, Electro-mechanical operation with Gold plated contacts and solder terminals. It is ideal for a multitude of applications.



ACTUAL SIZE

### APPLICATIONS

- Security Equipment
- Industrial Control
- Medical Equipment
- Military Equipment
- Food Processing
- Transportation
- Computers

### KEY FEATURES:

- Zinc Alloy/Velour Chrome Plated
- Center Spot LED and Non-Lighted Versions
- Maintained or Momentary Action
- Panel Sealed to IP67
- RoHS Compliant
- Electro-Mechanical
- Gold Plated Contacts and Terminals

### ORDERING INFORMATION:

#### SWITCH FUNCTION:

1. MECHANICAL, MOMENTARY, SOLDER TERMINAL
2. MECHANICAL, MAINTAINED, SOLDER TERMINAL
5. MECHANICAL, MOMENTARY, PC TERMINAL
6. MECHANICAL, MAINTAINED, PC TERMINAL
- A. MECHANICAL, MOMENTARY, WIRE LEADS
- B. MECHANICAL, MAINTAINED, WIRE LEADS
9. SPECIAL, DIGITS ARE IN SERIAL ORDER

#### HOUSING MATERIAL:

1. ZINC ALLOY, VELOUR CHROME PLATED
2. ZINC ALLOY, MIRROR BLACK

#### ILLUMINATION:

0. NON-LIT
1. CENTER SPOT ILLUMINATION
2. RING ILLUMINATION
3. STANBY LOGO ILLUMINATION

#### LED COLOR:

- N. NONE
- G. GREEN L.E.D.
- R. RED L.E.D.
- A. AMBER L.E.D.
- B. BLUE L.E.D.
- W. WHITE L.E.D.

#### VOLTAGE RESISTOR

- IF BLANK \*
- 05 5V FORWARD

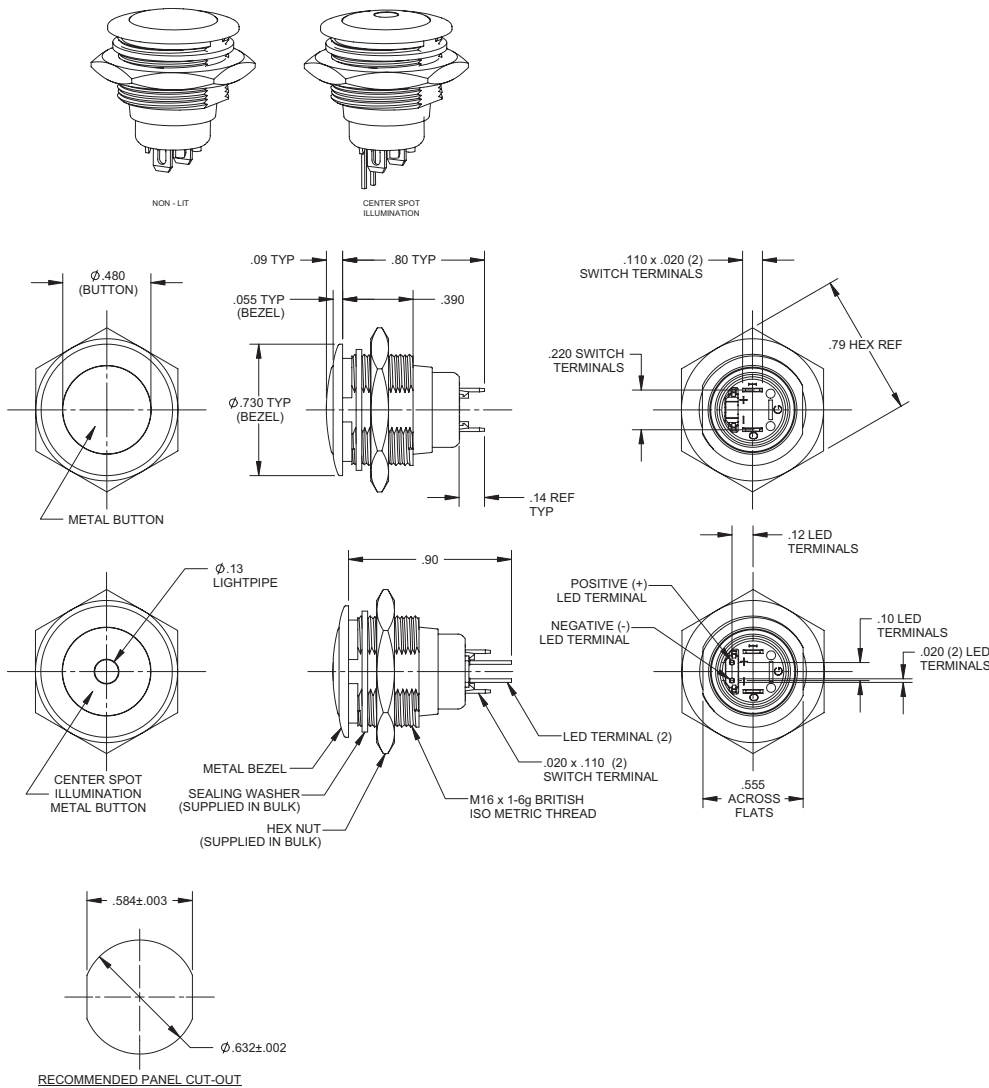
57M-

\* Current limiting resistor is required to limit LED forward current to 20 mA (not included).

### STANDARDS / AGENCY / RATINGS:



## PRODUCT DRAWINGS



## MECHANICAL / ELECTRICAL CHARACTERISTICS:

### Circuit:

SPST-NO-DB

### Button travel (nominal):

0.09 inches / 2.3 mm

### Operating force (nominal):

3N / 306g

### Contact bounce (nominal):

1 millisecond

### Panel thickness:

0.20 – 0.120 inches /  
0.5 – 3mm

### Temperature index:

-40°C to +85°C

### Torque (max):

10 inch pounds

### LED operating temperature:

-13° F to +185° F /  
-25° C to +85° C

### Current ratings (resistive):

250mA @ 12VDC, 100K cycles  
150mA @ 28VDC, 150K cycles  
(momentary)  
100mA @ 48VDC, 100K cycles  
10mA @ 12VDC, 1 million cycles  
(momentary)

## ELECTRO-MECHANICAL

### Dielectric strength:

1,000 VAC

### Insulation resistance:

1 GΩ

### Contact resistance:

50 mΩ max (initial)

## PANEL MOUNTING AND CONSTRUCTION INFORMATION

The series 57M mounts easily into panels of minimum 0.20" (0.5mm) and maximum 0.120" (3mm) thicknesses. Front panel sealing to IP67 is achieved by a sealing washer which is fitted to the body of the switch before it is inserted into the panel hole cutout. It is held onto the panel by means of a brass hex nut tightened down to a torque of 10 inch pounds to achieve the correct sealing pressure.

## Series 57M-SS

### MINIATURE PANEL SEALED METAL

The 57M is a miniature switch designed for rugged environments. The housing is zinc alloy with velour chrome plating. It is available as maintained or momentary action, solid-state operation with Gold plated contacts and solder terminals. It is ideal for a multitude of applications.



ACTUAL SIZE

### APPLICATIONS

- Security Equipment
- Industrial Control
- Medical Equipment
- Military Equipment
- Food Processing
- Transportation
- Computers

### KEY FEATURES:

- Zinc Alloy/Velour Chrome Plated
- Center Spot LED and Non-Lighted Versions
- Maintained or Momentary Action
- Panel Sealed to IP67
- RoHS Compliant
- Solid State
- Gold Plated Contacts and Terminals

### ORDERING INFORMATION:

#### SWITCH FUNCTION:

3. SOLID STATE, MOMENTARY, SOLDER TERMINAL
4. SOLID STATE, MAINTAINED, SOLDER TERMINAL
7. SOLID STATE, MOMENTARY, PC TERMINAL
8. SOLID STATE, MAINTAINED, PC TERMINAL
- C. SOLID STATE, , MOMENTARY, WIRE LEADS
- D. SOLID STATE, , MAINTAINED, WIRE LEADS
9. SPECIAL, DIGITS ARE IN SERIAL ORDER

#### HOUSING MATERIAL:

1. ZINC ALLOY, VELOUR CHROME PLATED
2. ZINC ALLOY, MIRROR BLACK

#### BUTTON STYLE:

0. NON-LIT
1. CENTER SPOT ILLUMINATION
2. RING ILLUMINATION
3. STANBY LOGO ILLUMINATION

#### LED COLOR:

- N. NONE
- G. GREEN L.E.D.
- R. RED L.E.D.
- A. AMBER L.E.D.
- B. BLUE L.E.D.
- W. WHITE L.E.D.

#### VOLTAGE RESISTOR

- If BLANK \*
- 05 5V FORWARD

57M-

\* Current limiting resistor is required to limit LED forward current to 20 mA (not included).

### STANDARDS / AGENCY / RATINGS:







## Series 58M-EM

### FULLY SEALED METAL PUSHBUTTON WITH WIRE LEADS

Built on the proven series 48 platform these rugged switches come in stainless steel or aluminum housings, electro-mechanical with either momentary or maintained action and lighted or unlighted versions. The variety of options in this compact package size make the 58M ideal for many applications: transportation, outdoor controls, security products, food processing and medical products.



ACTUAL SIZE

### APPLICATIONS

- Outdoor Controls
- Kiosks
- Security Equipment
- Medical Equipment
- Food Processing Equipment
- Military Equipment
- Industrial Machinery
- Transportation: Mass-Transit, Lift Trucks

### KEY FEATURES:

- Momentary or Maintained Action
- Stainless Steel or Aluminum Housing
- Non Lit or Ring Illumination
- Variety of LED colors
- Electro-Mechanical
- Panel Sealed to IP67
- ROHS Compliant
- Gold Plated Contacts

### ORDERING INFORMATION:

SWITCH FUNCTION:	HOUSING MATERIAL:	BUTTON STYLE:	LED COLOR:	VOLTAGE RESISTOR
<b>A.</b> MECHANICAL, MOMENTARY, WIRE LEADS	<b>1.</b> STAINLESS STEEL	<b>0.</b> NON-LIT	<b>N.</b> NONE	IF BLANK *
<b>B.</b> MECHANICAL, MAINTAINED, WIRE LEADS	<b>2.</b> ALUMINUM	<b>2.</b> RING ILLUMINATION	<b>G.</b> GREEN	<b>05</b> 5V FORWARD
		<b>R.</b> RED, NON-LIT	<b>R.</b> RED	<b>12</b> 12V FORWARD
			<b>B.</b> BLUE	<b>24</b> 24V FORWARD
			<b>W.</b> WHITE	
			<b>RB.</b> RED / BLUE	
			<b>RG.</b> RED / GREEN	
			<b>BG.</b> BLUE / GREEN	

**58M-**

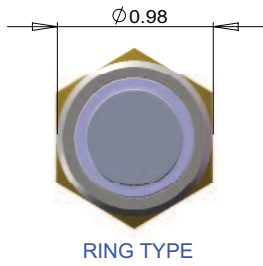
\* Current limiting resistor is required to limit LED forward current to 20 mA (not included).

### STANDARDS / AGENCY / RATINGS:

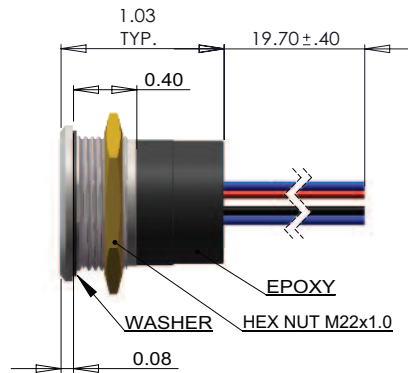


## PRODUCT DRAWINGS

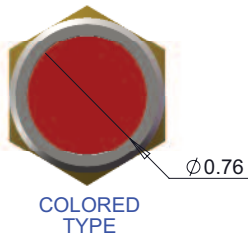
### ILLUMINATION



RING TYPE



### NON-ILLUMINATION

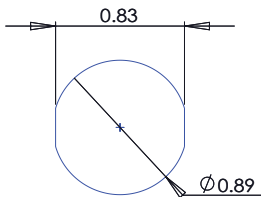


COLORLED TYPE



NON.-LIT. TYPE

### RECOMMENDED PANEL CUTOUT



### WIRELEADS DESCRIPTION

WIRELEADS TYPE	WIRELEADS SPECIFICATION	SW TERMINAL		LED	
		/	O	+	-
ILLUMINATION	AWG26/UL1007	BLUE	BLUE	RED	BLACK
NON-ILLUMINATION		BLUE	BLUE	---	---

## MECHANICAL / ELECTRICAL CHARACTERISTICS:

### Circuit:

SPST-NO-DB (Form X)

### Button travel (nominal):

0.09 inches / 2.3 mm

### Operating force (nominal):

3N / 306 grams

### Contact bounce (nominal):

1 millisecond

### Panel thickness:

0.50" – 0.150" (1.3 – 3.8mm)

### Temperature index:

-40°C to +85°C

### Torque (max):

10 inch pounds

### LED operating temperature:

-13° F to +185° F /

-25° C to +85° C

### Current ratings (resistive):

250mA @ 12VDC, 100K cycles

150mA @ 28VDC, 150K cycles (momentary)

100mA @ 48VDC, 100K cycles

10mA @ 12VDC, 1 million cycles (momentary)

## ELECTRO-MECHANICAL

### Dielectric strength:

1,000 VAC

### Insulation resistance:

1 GΩ

### Contact resistance:

50 mΩ max (initial)

## PANEL MOUNTING AND CONSTRUCTION INFORMATION

The series 58M mounts easily into panels of minimum 0.50" (1.3 mm) and maximum 0.150" (3.8 mm) thickness. Front panel sealing to IP67 is achieved by a sealing o-ring fitted to the body of the switch before it is inserted into the panel hole cut-out. It is held onto the panel by means of a brass hex nut tightened down to a torque of 10 inch pounds to achieve the correct sealing pressure.

## Series 58M-SS

### FULLY SEALED METAL PUSHBUTTON WITH WIRE LEADS

Built on the proven series 48 platform these rugged switches come in stainless steel or aluminum housings, solid state with either momentary or maintained action and lighted or unlighted versions. The variety of options in this compact package size make the 58M ideal for many applications: transportation, outdoor controls, security products, food processing and medical products.

### APPLICATIONS

- Outdoor Controls
- Kiosks
- Security Equipment
- Medical Equipment
- Food Processing Equipment
- Military Equipment
- Industrial Machinery
- Transportation: Mass-Transit, Lift Trucks



ACTUAL SIZE

### KEY FEATURES:

- Momentary or Maintained Action
- Stainless Steel or Aluminum Housing
- Non Lit or Ring Illumination
- Variety of LED colors
- Solid State
- Panel Sealed to IP67
- ROHS Compliant
- Gold Plated Contacts

### ORDERING INFORMATION:

#### SWITCH FUNCTION:

**C.** SOLID STATE, , MOMENTARY, WIRE LEADS

**D.** SOLID STATE, , MAINTAINED, WIRE LEADS

#### HOUSING MATERIAL:

**1.** STAINLESS STEEL

**2.** ALUMINUM

#### BUTTON STYLE:

**0.** NON-LIT

**2.** RING ILLUMINATION

**R.** RED, NON-LIT

#### LED COLOR:

**N.** NONE

**G.** GREEN

**R.** RED

**B.** BLUE

**W.** WHITE

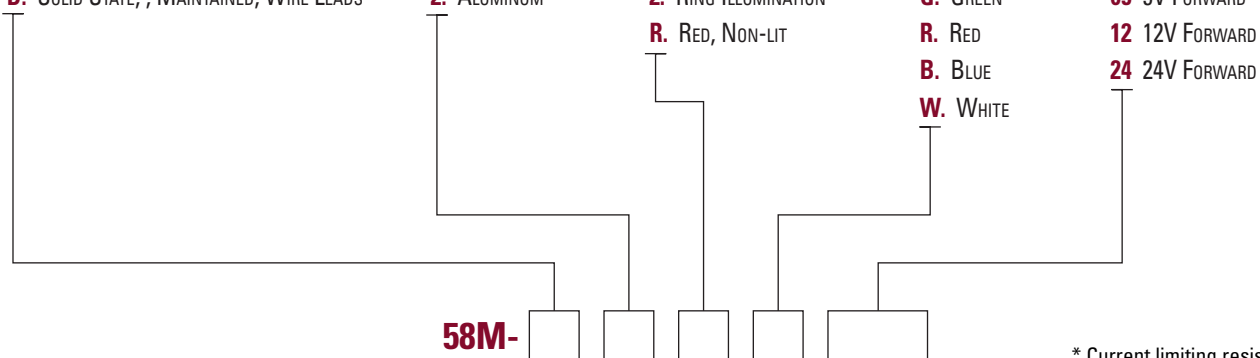
#### VOLTAGE RESISTOR

**IF** BLANK \*

**05** 5V FORWARD

**12** 12V FORWARD

**24** 24V FORWARD



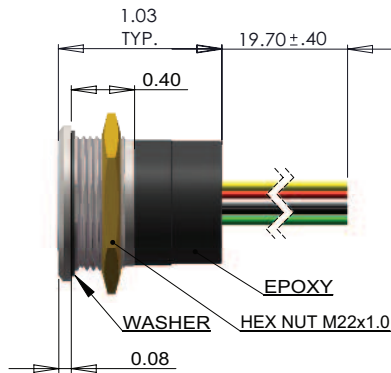
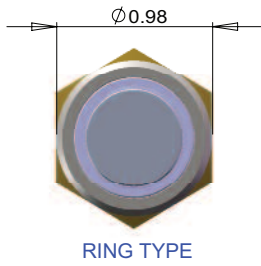
\* Current limiting resistor is required to limit LED forward current to 20 mA (not included).

### STANDARDS / AGENCY / RATINGS:

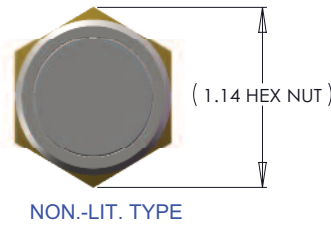
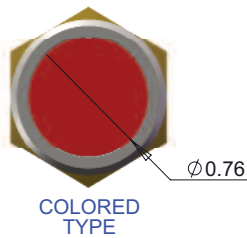


## PRODUCT DRAWINGS

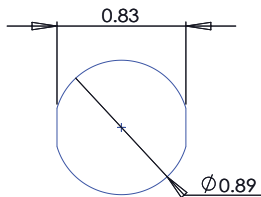
### ILLUMINATION



### NON-ILLUMINATION



### RECOMMENDED PANEL CUTOUT



### WIRELEADS DESCRIPTION

WIRELEADS TYPE	WIRELEADS SPECIFICATION	SW TERMINAL			LED	
		I	O	G	+	-
ILLUMINATION	AWG26/UL1007	YELLOW	GREEN	WHITE	RED	BLACK
NON-ILLUMINATION		YELLOW	GREEN	WHITE	---	---

## MECHANICAL / ELECTRICAL CHARACTERISTICS:

### Circuit:

SPST-NO-DB (Form X)

### Button travel (nominal):

0.09 inches / 2.3 mm

### Life (mechanical) (nominal):

1,000,000 cycles (momentary)

100,000 cycles (maintained)

### Operating force (nominal):

3N / 306 grams

### Panel thickness:

0.02 – 0.12 inches / 0.5 – 3mm

### Temperature index:

-40°F to + 185°F

### Supply voltage:

4.2V to 24V, 26.5V Max.

### Supply current:

B < B<sub>rp</sub>, V<sub>cc</sub>=12V: 3mA Typ.

To 8mA Max.

B > B<sub>op</sub>, V<sub>cc</sub>=12V: 4mA Typ.

To 8mA Max.

### Output current:

20 mA

### Reverse battery voltage:

-30V Max.

### Reverse output current:

-50mA Max.

### Torque (max):

10 inch pounds

## PANEL MOUNTING AND CONSTRUCTION INFORMATION

The series 58M mounts easily into panels of minimum 0.50" (1.3 mm) and maximum 0.150" (3.8 mm) thickness. Front panel sealing to IP67 is achieved by a sealing o-ring fitted to the body of the switch before it is inserted into the panel hole cut-out. It is held onto the panel by means of a brass hex nut tightened down to a torque of 10 inch pounds to achieve the correct sealing pressure.

## MINIATURE METAL PANEL SEALED PUSHBUTTON

This rugged panel sealed pushbutton is made of a special high creep strength non-spark zinc alloy suitable for use in mining or other potentially explosive atmospheres where dust and moisture are problematic.

# Series 59



ACTUAL SIZE

## APPLICATIONS

- Communications
- Instrumentation
- Data processing
- Process controls
- Transportation/ Material handling

## KEY FEATURES:

- Panel sealed to IP67
- Momentary action
- Non-spark material
- 500,000 life cycles @ max power
- Impact resistant
- Gold contacts
- Wide temperature range:  $-55^{\circ}\text{C}$  to  $+125^{\circ}\text{C}$

## ORDERING INFORMATION:

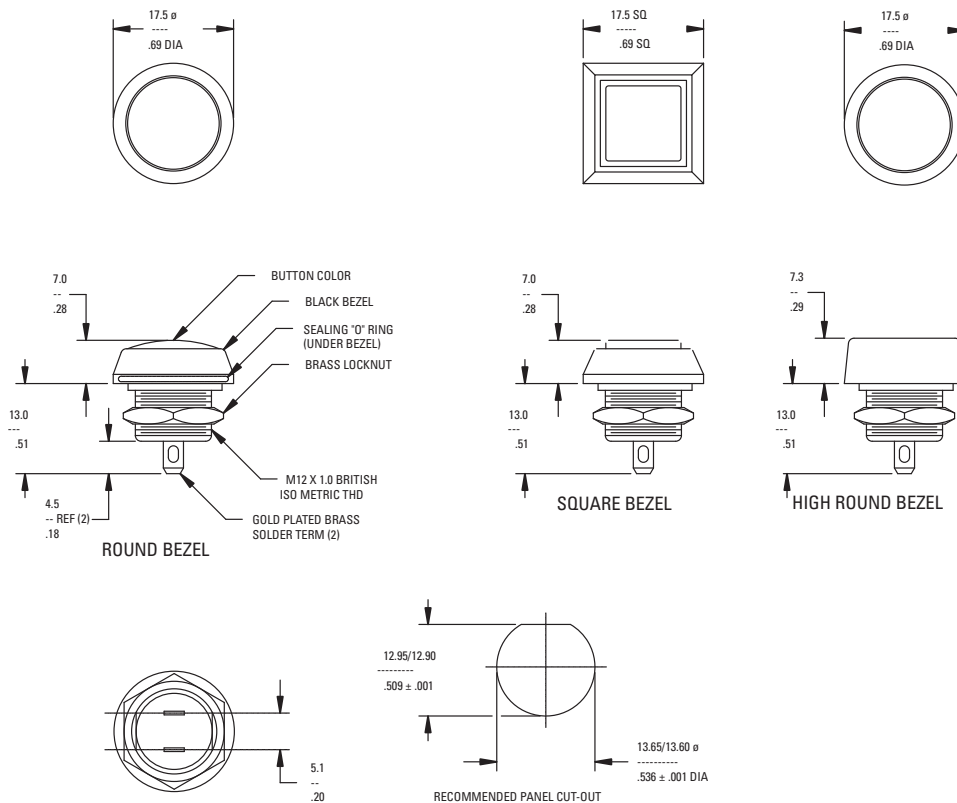
Part Number	Bezel Style	Button Color*
59-111	Round	Black
59-112	Round	Red
59-113	Round	Green
59-211	Square	Black
59-212	Square	Red
59-213	Square	Green
59-311	High Round	Black
59-312	High Round	Red
59-313	High Round	Green

\*Consult factory for additional colors.

## STANDARDS / AGENCY / RATINGS:



PRODUCT DRAWINGS



PANEL MOUNTING AND CONSTRUCTION INFORMATION

The series 59 mounts easily into panels of minimum 1.5mm (.060 in.) and maximum 3mm (.118 in.) thickness. Front panel sealing to IP67 is achieved by a sealing "O" ring fitted into a premachined groove on the body of the switch before it is inserted into the panel hole cut-out. It is held onto the panel by means of a brass hex nut tightened down by a 14mm spanner, to a torque of between 1.5Nm to 3.0Nm to achieve the correct sealing pressure. A "D" flat is provided to prevent rotation.

MECHANICAL / ELECTRICAL CHARACTERISTICS:

- Travel (nom):**  
2.3mm (.090 in.)
- Life (max):**  
1,000,000 cycles
- Operating force (nom):**  
3N / 306 grams
- Contact bounce (nom):**  
1 millisecond
- Panel thickness (max):**  
3mm (.118 in.)
- Dielectric strength:**  
1000 VAC
- Insulation resistance:**  
1 GΩ
- Contact resistance (initial):**  
50 mΩ (Max)
- Current rating (typical):**  
400mA at 32 VAC resistive  
100mA at 50 VDC resistive  
125mA at 125 VAC resistive
- Shock:**  
100G
- Operating temp range:**  
-55°C to +125°C  
(-67°F to +257°F)
- Body material:**  
zinc alloy, black
- Button material:**  
PBT thermoplastic
- Contacts:**  
gold plated palladium nickel
- Terminals:**  
gold plated brass

## Series 76-59

### EXTRA TOUGH VANDAL RESISTANT SEALED PUSHBUTTON SWITCH

The Series 76-59 is an extra tough, stainless steel sealed pushbutton. It is made to withstand rough use and the concave stainless button makes it ADA compatible. The switch is momentary action and the button is available in a stainless or red powder coated button.



ACTUAL SIZE

### APPLICATIONS

- Security systems
- Kiosks
- Process control
- Public access equipment
- Gas pumps
- Outdoor machinery
- Industrial machinery

### KEY FEATURES:

- Sealed to IP67
- SPST-NO-DB
- Stainless steel body and button
- .110 quick connect terminals
- Standard ITW Pancon connector available
- Extra ruggedized construction
- ADA compatible

### ORDERING INFORMATION:

Part Number	Bushing	Button
<b>76-59200</b>	Stainless steel	Raised concave stainless steel
<b>76-59300</b>	Stainless steel	Raised concave brass with UV stabilized red powder coat finish

### STANDARDS / AGENCY / RATINGS:



76-59200 & 76-59300

**MECHANICAL / ELECTRICAL CHARACTERISTICS:**

**Electrical rating:**

100 mA max @  
50 VDC Resistive

**Life (electrical):**

500,000 cycles @ max load

**Operating force:**

3.0 N ref

**Operating temperature:**

-55°C to +125°C

**Bushing material:**

stainless steel

**Button material:**

stainless steel (76-59200) or  
brass with UV stabilized red  
powder coat finish (76-59300)

**Contacts & terminals:**

gold plated brass

**Switch terminals mate with**

**ITW Pancon Connector  
CSF-MH-0202**

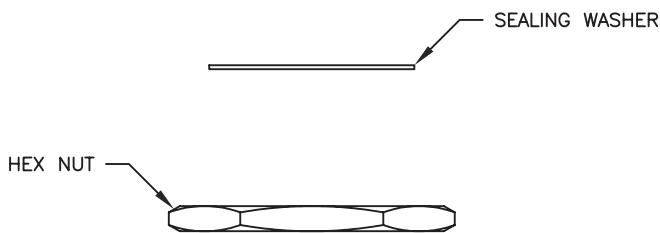
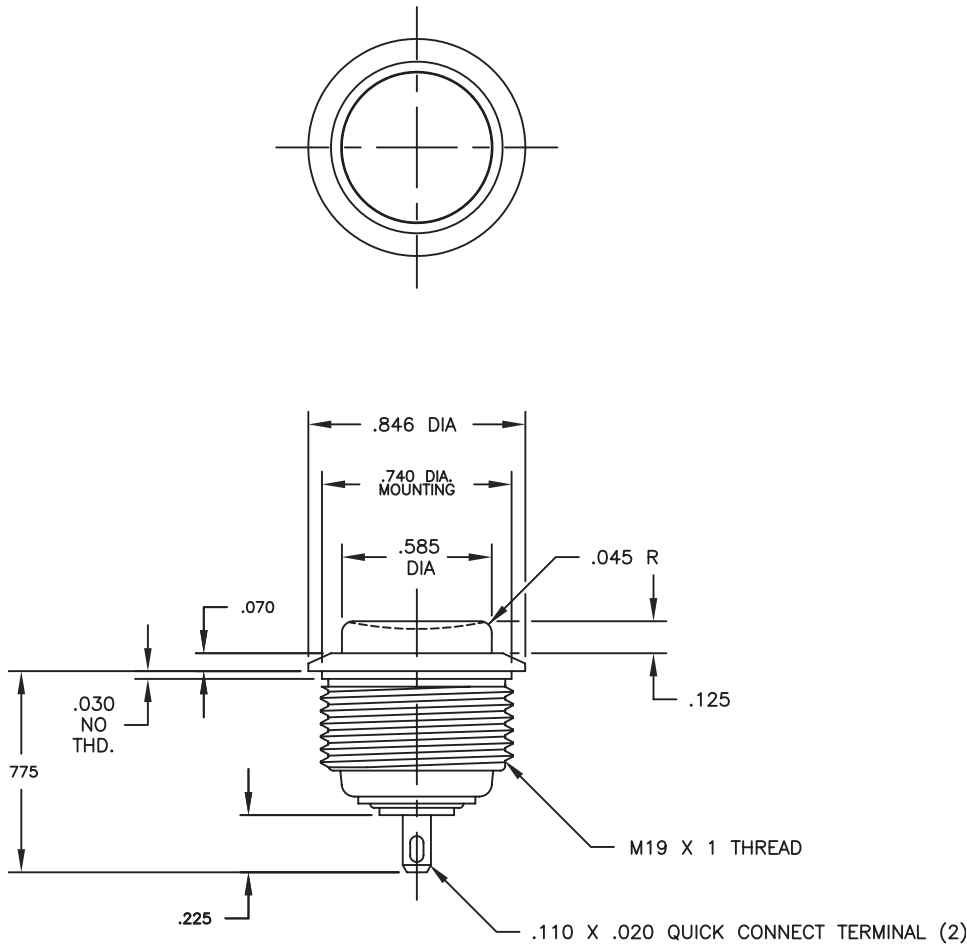
**Recommended panel cutout:**

0.758 inch diameter

**Recommended panel**

**thickness:**

0.06 – 0.31 inches





## 10 AMP VANDAL RESISTANT PUSHBUTTON SWITCHES

This rugged panel sealed switch is designed to withstand impacts of significant force. Using Series 16 and 26 Butterfly® snap action switches loads of up to 10.1 amps can be switched. The low profile makes it difficult to pry the switch from its mounting.

# Series 76-95



ACTUAL SIZE

### APPLICATIONS

- Military/Aerospace
- Industrial: welding, motors, pumps, controls, valves
- Transportation: mass transit, marine, lift trucks, personal and recreational vehicles, rail
- Security access controls
- Elevators

### KEY FEATURES:

- Panel sealed to IP67
- Form Z switch contacts
- Wide temperature range: -30°C to +105°C (-22°F to +221°F)
- UL recognized (16-530004 & 26-810 only) and CSA certified
- Solder Terminals
- Life: 50,000 cycles at full load

### ORDERING INFORMATION:

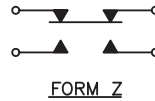
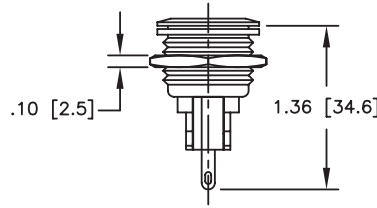
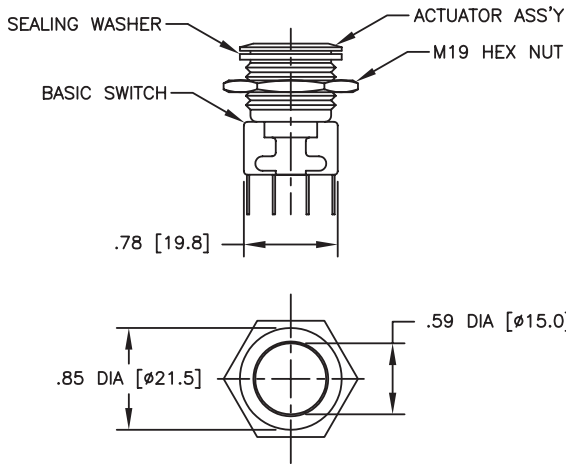
Part Number*	Contacts	Circuit
<b>76-9510/530004</b>	Silver	SPDT-DB
<b>76-9510/810</b>	Enhanced Gold	DPDT-DB

\* Switches are individually packaged with one each: actuator assembly, basic switch, sealing washer, and hex nut per bag.

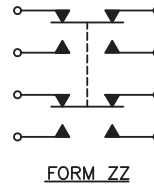
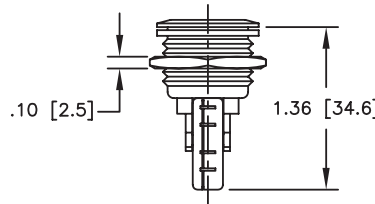
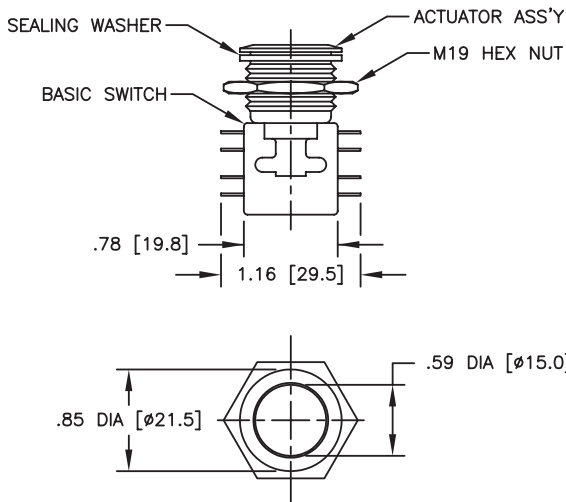
### STANDARDS / AGENCY / RATINGS:



76-9510/530004



76-9510/810



Current rating, 26-810:

Load	Sea Level				70,000 Ft.	
	28 VDC DPDT	28 VDC 4 CKT	115 VAC 60 HZ DPDT	115 VAC 60 HZ 4 CKT	28 VDC DPDT	28 VDC 4 CKT
Resistive	8 amp	8 amp	6 amp	4 amp	8 amp	8 amp
Inductive	6 amp	4 amp	4 amp	4 amp	2 amp	1 amp
Lamp	0.5 amp	0.5 amp	2 amp	1 amp	—	—

MECHANICAL / ELECTRICAL CHARACTERISTICS:

**Mechanical Life:**

1,000,000 cycles

**Operating force:**

2.6N / 265 grams

**Panel thickness:**

0.06 – 0.31 inches / 1.5 – 8mm

**Panel cut out:**

0.758 inch Diameter / 19.25mm

**Dielectric strength:**

1,000 VAC for 1 minute

**Insulation resistance:**

1 GΩ @ 500VDC

**Contact resistance initial:**

25 mΩ max

**Current rating, 16-530004:**

Form X or Y: 10 amps 125 VAC;  
10 amps 28 VDC Ind.

Form Z: 5 amps 125/250 VAC;  
3 amps 28 VDC Ind.

**Current rating, 26-810:**

see chart on left

**Electrical:**

Life: 50,000 cycles (max load)  
@ 158°F (70°C)

**Button and bezel material:**

stainless steel

**Contact material:**

16-530004: silver

**Contact material:**

26-810: enhanced gold

## PANEL SEALED PUSHBUTTON SWITCH

The Series 76-97 is robust. The switch body and button are made from hard-wearing plastic and produced in front mounting style. The 76-97 series is available as momentary or maintained action. In addition the buttons have a brightly colored switch indicator which gives an "at a glance" recognition of the mode currently in use. Buttons and status rings can be supplied in a variety of colors. The 76-97 utilizes ITW Switches' proven Series 16 snap action switch.

# Series 76-97



ACTUAL SIZE

### APPLICATIONS:

- Military environments
- Industrial machinery
- Mining equipment
- Petrochemical
- Process control
- Material handling

### KEY FEATURES:

- Wide temperature range: from -40°C to + 105°C
- Panel sealed to IP67
- Maintained and momentary action
- Solder terminals
- Status Indication

### ORDERING INFORMATION:

#### Switch

Part Number*	Switch Action	Number of Poles
76-9711/4044X	Momentary	1
76-9711/804X	Momentary	2
76-9712/4044X	Maintained	1
76-9712/804X	Maintained	2

\* X = Button/Identity Ring Color

#### Button

Button/Identity Ring Color	Add to Part Number
Black/Red	B
Red/Yellow	R
Green/Yellow	G
White/Yellow	W
Yellow/Red	Y
Blue/Red	N
Light Grey/Red	GY

### NON-STANDARD OPTIONS:

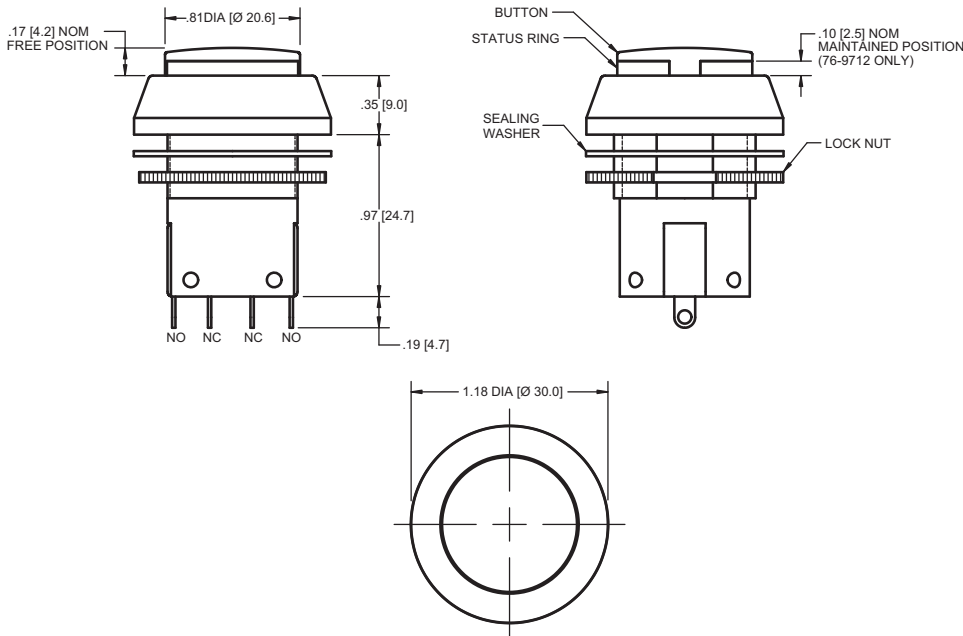
- PCB terminals
- Gold contacts
- 2 poles available
- Color variants
- Surface or sublimation legend printing

\*For non-standard options, please consult factory.

### STANDARDS / AGENCY / RATINGS:



## PRODUCT DRAWINGS



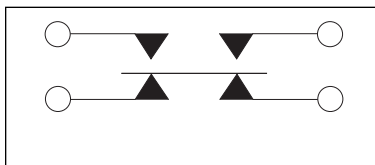
## PANEL MOUNTING AND CONSTRUCTION:

The 76-97 mounts easily into panels not exceeding .235" (6mm) thickness. Front panel sealing to IP67 is achieved by use of the sealing washer which is fitted to the switch before it is inserted into the panel hole cut out. It is held into the panel by means of a lock nut, tightened down to a torque of between 13 lb/in (1.5 Nm) to 25 lb/in (2.85 Nm) to achieve the correct sealing pressure. It is mounted into a standard .885" (22.5 mm) diameter and a double "D" flat is provided to prevent rotation if required (.800 between flats). Thread size —M2 x 1.5 ISO metric thread to British Standard 3643.

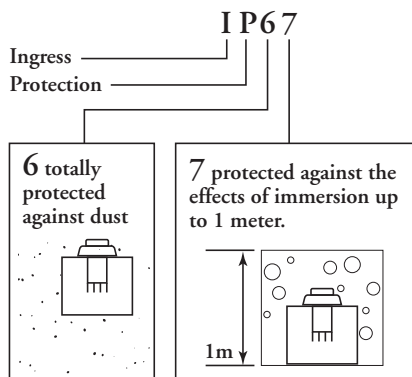
## MULTI-POLE INFORMATION:

The Series 76-97 has a non-standard option of 2 poles. The 2 pole switch is provided separate to the switch body and must be fitted, via a spring clip, after the switch body has been mounted in the panel.

## SWITCH CIRCUITRY:



## INGRESS PROTECTION:



## MECHANICAL / ELECTRICAL CHARACTERISTICS:

### Travel:

.14" (3.5 mm)

### Mechanical Life:

2,000,000 (Momentary)  
100,000 (Maintained)

### Operating force:

45 oz (12N) nominal

### Contact bounce:

5 milliseconds

### Panel thickness (max):

.235" (6 mm)

### Dielectric strength:

1000 VAC

### Insulation resistance:

1 GΩ

### Contact resistance (initial):

25 mΩ (Max)

### Current rating (max):

10A resistive 250 VAC

### Electrical Life:

100,000 cycles @ 20°C

### Ingress protection:

IP67

### Shock:

50g

### Operating temperature range:

-40°C to + 105°C

### Body / Actuator material:

PBT

### Contact material:

Fine silver

### Terminal material:

200 microseconds  
(5 microns) bright acid tin  
plate, nickel flash undercoat.