



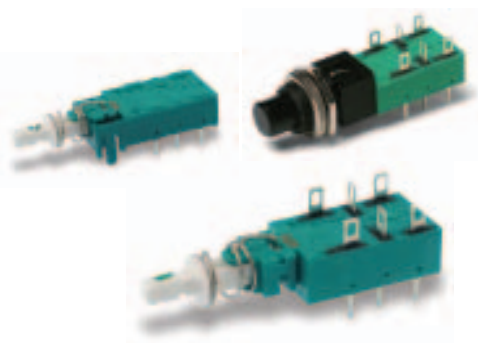
# NE-18 Series Mains / Power Switches

## Features/Benefits

- Chassis or panel mount
- Various buttons
- Various contact configurations
- RoHS compliant

## Typical Applications

- Mains/power switching
- Consumer electronics
- Audio equipment
- Digital products



## Specifications

### POWER CONTACT:

SWITCHING POWER MAX. AC/DC: NE18: 1500/100 W,  
NE18CTII: 1000/100 W; AC (Inductive cos w =0.6): NE18: 900W,  
NE18CTII: 600W.

SWITCHING VOLTAGE MAX. AC/DC: 250/100V

SWITCHING CURRENT MAX. AC/DC  
AC (Inductive cos w =0.6): NE18: 6 A<sup>2</sup>/1 A, NE18CTII: 4 A<sup>2</sup>/1 A

INRUSH CURRENT MAX. AC<sup>1</sup>): NE18: 36 A, NE18CTII: 64 A

DIELECTRIC STRENGTH (50 Hz, 1 min.): 2000 V

OPERATING LIFE AT MAX. LOAD AND AT MAX. INRUSH  
CURRENT: ^10<sup>4</sup> operations<sup>5</sup>)

CONTACT RESISTANCE: Initial: 50mΩ; After 10<sup>4</sup> operations: 70mΩ.

INSULATION RESISTANCE: ^10<sup>12</sup> Ωchassis – nearest contact;  
^10<sup>12</sup> Ωmains contact – mains contact; ^10<sup>12</sup> Ωmains contact –  
mains contact after 10<sup>4</sup> operations.

### LOW VOLTAGE CONTACT:

SWITCHING POWER MAX.: 12W

SWITCHING VOLTAGE MAX.: 24V

SWITCHING CURRENT MAX.: 0.5A

TOTAL TRAVEL: 4.7mm (.185 inch)

LATCHING TRAVEL: 3.3mm (.130 inch)

OPERATING FORCE: Without auxiliary low voltage contacts:  
NE18: 7N (700 grams); NE18CTII: 9.5N (950 grams).

With auxiliary low voltage contacts: NE18: 8N (800 grams);  
NE18CTII: 11N (1100 grams).

SEALING: Dust proof.

## Materials

HOUSING, ACTUATOR & TERMINAL BOARD: Thermoplastic  
polyester (UL 94V-0).

MOVABLE CONTACT: Silver nickel alloy, silver plated.

FIXED CONTACTS: Silver nickel alloy, silver plated.

COMMON CONTACTS & TERMINALS: Copper alloy, silver plated.

RETURN SPRING: Music wire.

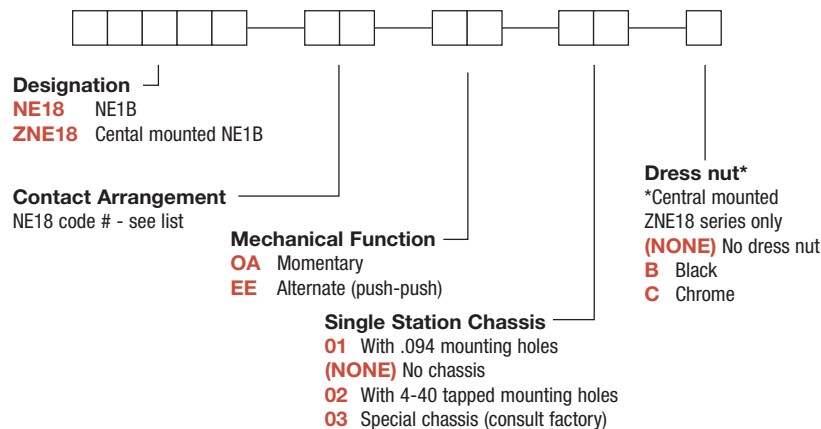
**NOTE:** All models arer RoHS compliant and compatible.

**NOTE:** Specifications and materials listed above are for switches with standard options.  
For information on specific and custom switches, consult Customer Service Center.

## Build-A-Switch

To order, simply select desired option from each category and place in the appropriate box. Available options are shown and described on pages A-99 thru A-106. For additional options not shown in catalog, consult Customer Service Center.

If requesting only a switch, select the switch as noted below. Buttons are sold separately.



Dimensions are shown: Inches (mm)  
Specifications and dimensions subject to change

# NE-18 Series Mains / Power Switches

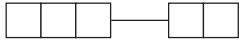


A

Pushbutton

## Order Code - Buttons

### Solid Buttons



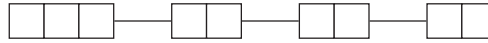
#### Style

**F01** FMR  
**F02** FG\*  
**F12** FSC  
**F13** FSD  
**F14** FU12  
**F15** FSB  
**F16** FE  
**F19** FA  
**F21** F001

#### Button Color

**01** Black  
**02** White  
**03** Red  
**04** Light gray

### Mechanical Indicator Buttons



#### Style

**F01** FA100  
**F02** FA101  
**F07** FA120  
**F08** FA201  
**F11** FA200\*

#### Shell Color

**01** Black

#### Out Position Color

**01** Black

#### In Position Color

**02** White  
**06** Yellow  
**07** Blue  
**08** Green  
**12** Orange

\*Button options for central mounting configurations, use 'FG' for central mount with chrome dress nut, use 'FA200' for central mount with black dress nut.

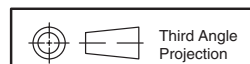
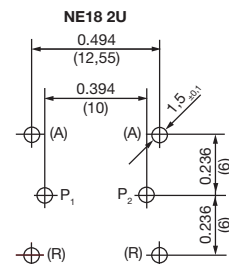
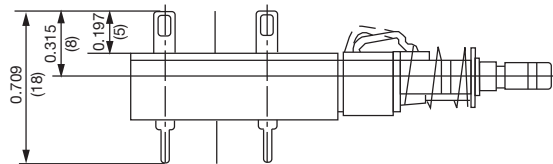
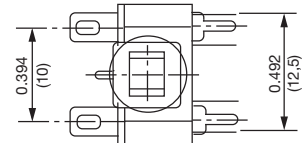
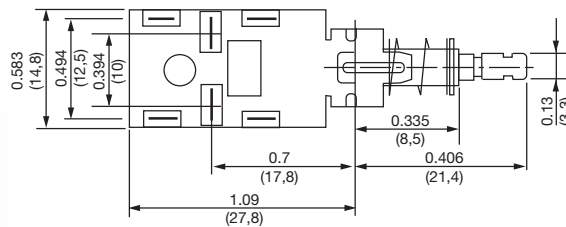
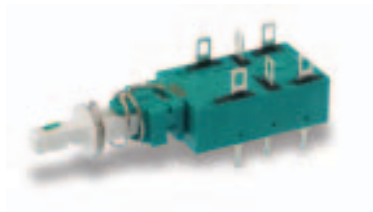
## BUTTON REMOVAL

A button of a push-push switch should only be removed in the "OFF" non-latching position.

## DESIGNATION & SWITCHES WITH STANDARD OPTIONS



### NE1838EE



Dimensions are shown: Inches (mm)  
Specifications and dimensions subject to change



# NE-18 Series Mains / Power Switches



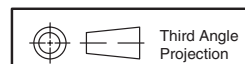
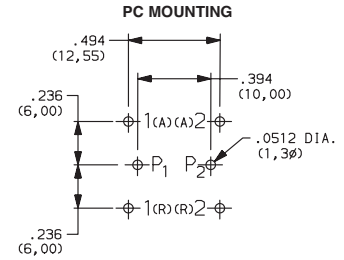
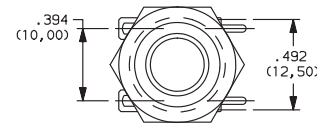
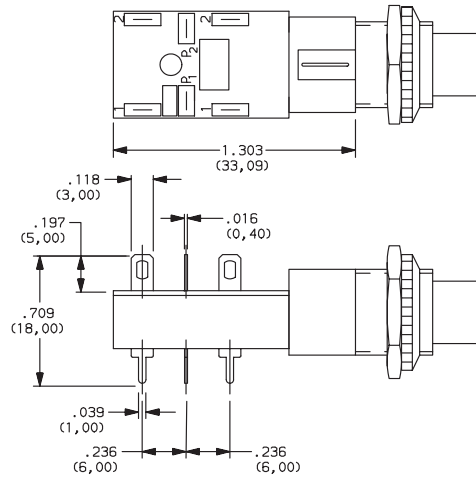
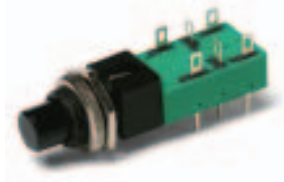
A

Pushbutton

DESIGNATION & SWITCHES WITH STANDARD OPTIONS



ZNE1838EECF0201



Dimensions are shown: Inches (mm)  
Specifications and dimensions subject to change

www.ck-components.com



# NE-18 Series Mains / Power Switches

Pushbutton  
A

## CONTACT ARRANGEMENT



OPTION CODE Contact capacity and availability	STYLE	ELECTRICAL CIRCUIT
<b>37</b>	NE18 – 2AX	DPST
<b>38</b>	NE18 – 2UX	DPDT
<b>51</b>	2U + NE18 – 2AX	DPST*
<b>52 (4A/64)</b>	NE18CTII – 2AX	DPST
<b>39</b>	2U + NE18 – 2UX	DPDT*
<b>41</b>	NE18 – 2AP	DPST
<b>42</b>	NE18 – 2UP	DPDT
<b>43</b>	NE18 – 2AW	DPST
<b>44</b>	NE18 – 2UW	DPDT
<b>45</b>	NE18 – 2ASX	DPST

OPTION CODE Contact capacity and availability	STYLE	ELECTRICAL CIRCUIT
<b>46</b>	NE18 – 2USX	DPDT
<b>47</b>	NE18 – 2ASP	DPST
<b>48</b>	NE18 – 2USP	DPDT
<b>49</b>	NE18 – 2ASW	DPST
<b>50</b>	NE18 – 2USW	DPDT
<b>53 (4A/64)</b>	2U + NE18CTII – 2AX	DPST
<b>54</b>	2U + NE18 – 2AW	DPST
<b>55</b>	2U + NE18 – 2AP	DPST
<b>56</b>	2U + NE18 – 2UW	DPDT
<b>57</b>	2U + NE18 – 2UP	DPDT

\* 2U + Denotes auxiliary set of low current contacts DPDT  
 2A = DPST  
 2U = DPDT  
 S = Snap-in mounting  
 X = Solder lug/PC pins  
 W = Solder lugs only  
 P = PC pins only

### NOTES

- Contact plating is silver on all Power Switches.
- The electrical function is Break Before Make (BBM) on all Power Switches.
- The terminals will be epoxy sealed.

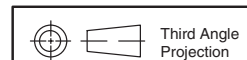
TYPE	POSSIBLE CONTACT ARRANGEMENT		CONTACT SPACING	PROTECTION CLASS (CEE 24)	APPROVALS
	POWER CONTACTS <sup>1</sup>	AUXILIARY CONTACTS			
NE18	2A <sup>2</sup>	2U	> 3mm (.118 inch)	II	VDE, UL
NE18	2A <sup>2</sup> 2U	2U	> 3mm (m) (.118 inch)	I	VDE, UL
NE18CTII	2A <sup>2</sup>	2U	> 3mm (.118 inch)	II	VDE, UL

- 1) A = make contact, R = break contact, U = changeover contact, m = VDE sign for switches with a contact spacing (air gap) < 3mm (.118 inch) according to VDE 0630/CEE 24.
- 2) With 2A mains contacts: Mounting only by PC pins is not sufficient.
- 3) BSI only for 2U mains contacts.

## MECHANICAL FUNCTION



OPTION CODE	FUNCTION
<b>OA</b>	Momentary
<b>EE</b>	Alternate (push-push)



Dimensions are shown: Inches (mm)  
 Specifications and dimensions subject to change

[www.ck-components.com](http://www.ck-components.com)

# NE-18 Series Mains / Power Switches



A

Pushbutton

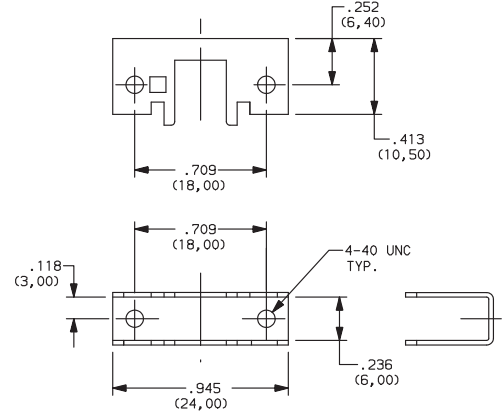
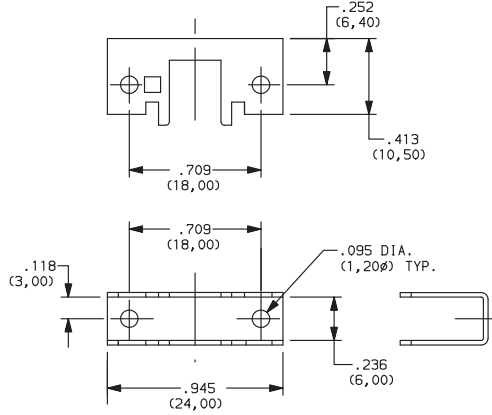
## SINGLE STATION CHASSIS



**01** WITH .094 MOUNTING HOLES

**(NONE)** NO CHASSIS

**02** WITH 4-40 TAPPED MOUNTING HOLES



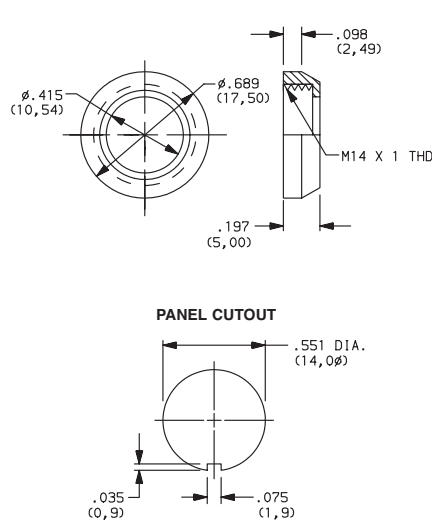
**03** SPECIAL CHASSIS (CONSULT FACTORY)

## DRESS NUT



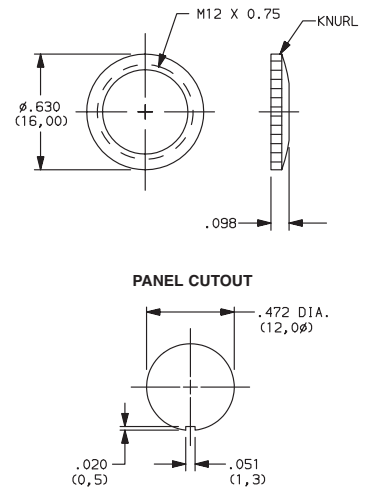
**(NONE)** NO DRESS NUT

**B** BLACK



**NOTE:** Available with ZNE18 designation and FA200 buttons.

**C** CHROME



**NOTE:** Available with ZNE18 designation and FG button.



Dimensions are shown: Inches (mm)  
Specifications and dimensions subject to change



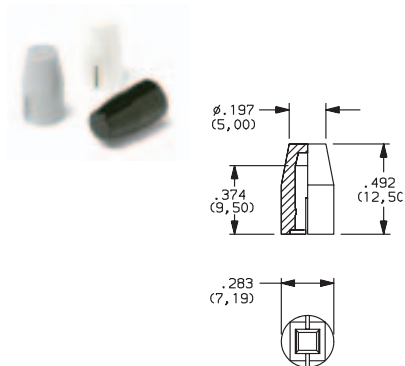
# NE-18 Series Mains / Power Switches

## SOLID BUTTON

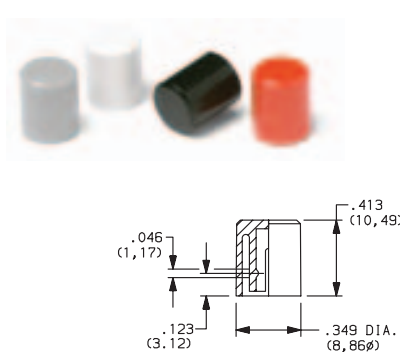
Pushbutton A

### STYLE

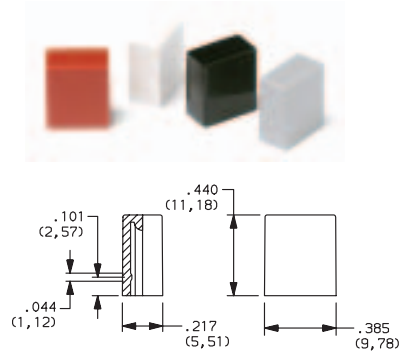
**F01** FMR



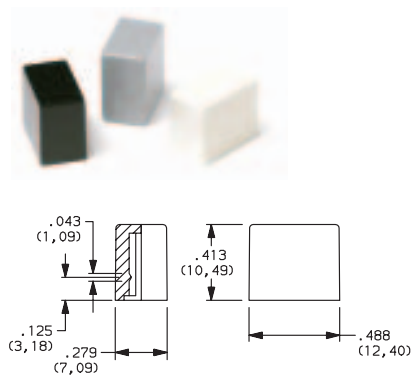
**F02** FG



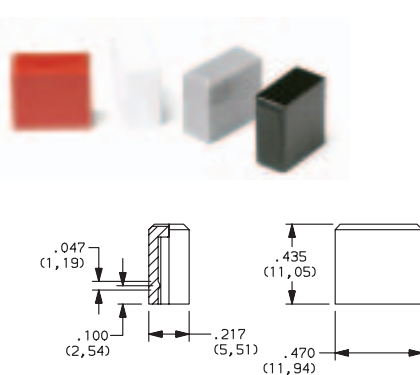
**F12** FSC



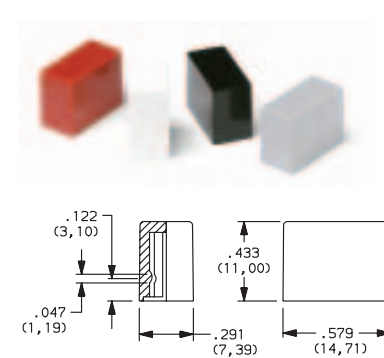
**F13** FSD



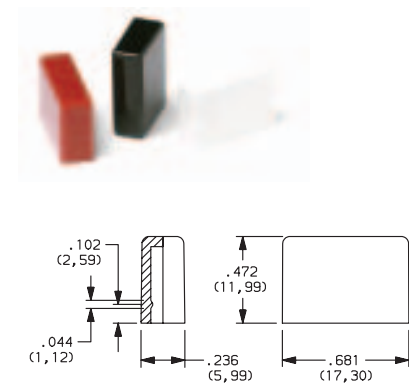
**F14** FU12



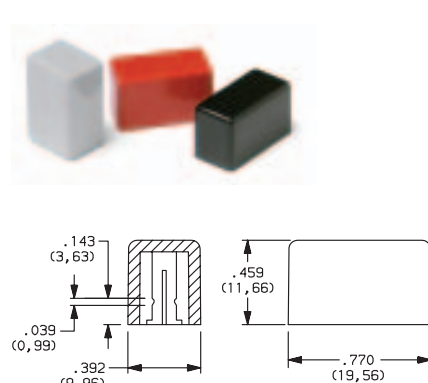
**F15** FSB



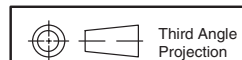
**F16** FE



**F19** FA



OPTION CODE	COLOR
<b>01</b>	BLACK
<b>02</b>	WHITE
<b>03</b>	RED
<b>04</b>	LT. GRAY



Dimensions are shown: Inches (mm)  
Specifications and dimensions subject to change



[www.ck-components.com](http://www.ck-components.com)



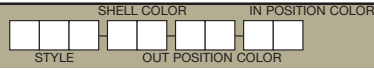




# NE-18 Series Mains / Power Switches

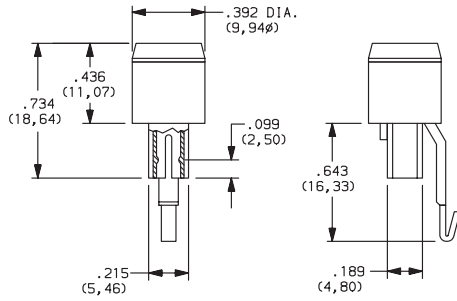
Pushbutton  
A

## MECHANICAL BUTTON

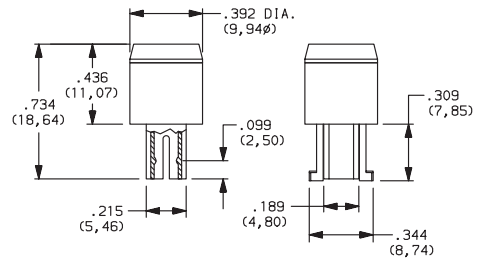


### STYLE

**F08** FA201



**F11** FA200



### SHELL COLOR

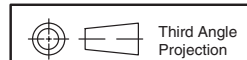
**01** BLACK

### OUT POSITION COLOR

**01** BLACK

### IN POSITION COLOR

OPTION CODE	COLOR
<b>02</b>	WHITE
<b>06</b>	YELLOW
<b>07</b>	BLUE
<b>08</b>	GREEN
<b>12</b>	ORANGE



Dimensions are shown: Inches (mm)  
Specifications and dimensions subject to change

[www.ck-components.com](http://www.ck-components.com)