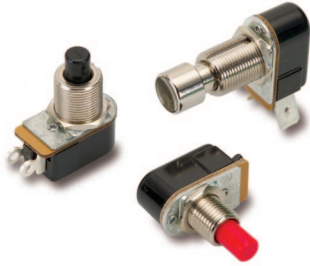


P26-Series Pushbutton Switches



The P26-Series pushbutton switches are single pole, AC rated for 8 amps at 125 VAC and suitable for shallow back panel applications. These switches are momentary action with a medium actuation force (13 oz. typical). The P26-Series switch is equipped with a slow-make, slow-break contact mechanism. Typical applications include usage for an Alarm or Warning Device, as well as Test and Measurement Equipment.

Dielectric Strength

UL/CSA: 1000V - live to dead metal parts

Electrical Life

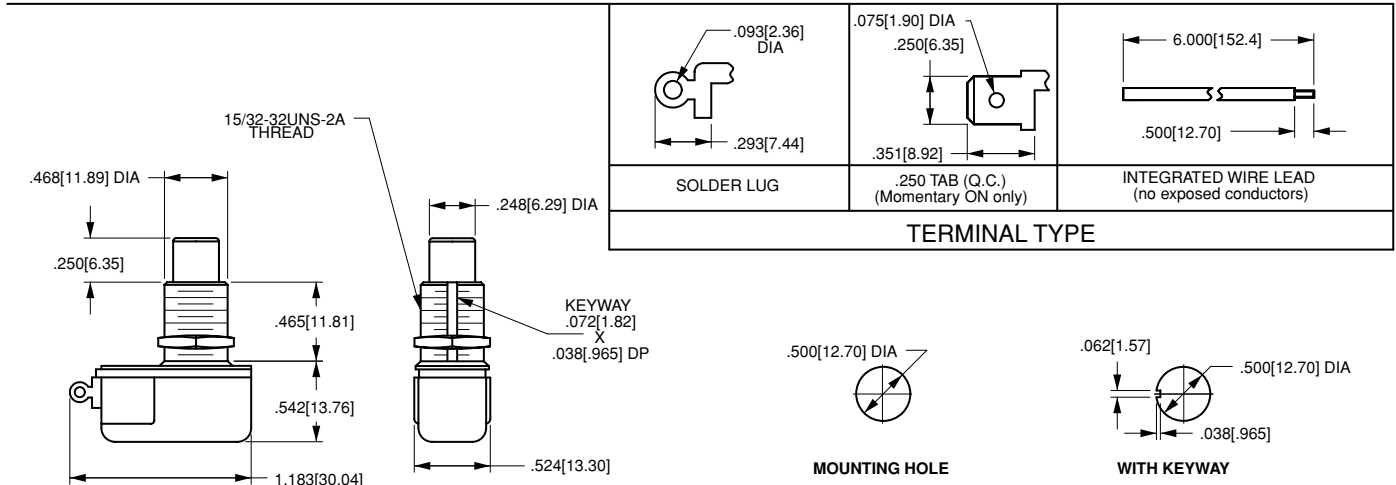
25,000 cycles

Mechanical Life

100,000 cycles

Operating Temperature

32°F to 85°F (0°C to +85°C)



P26L - 1D - BL

¹ Base Part Number

² Bushing Style

³ Button Style/Color

<p>1 BASE PART NUMBER: SERIES/POLES/CIRCUITRY/RATING/TERMINATION</p> <table style="width: 100%; border-collapse: collapse;"> <tr> <td style="width: 30%;"><i>Single Pole</i></td> <td style="width: 10%;"></td> <td style="width: 10%;"><i>solder lug</i></td> <td style="width: 10%;"></td> <td style="width: 10%;"><i>.250 tab</i></td> <td style="width: 10%;"></td> <td style="width: 10%;"><i>wire leads</i></td> </tr> <tr> <td>3A 250VAC, 6A 125 VAC, 3/4A 125V</td> <td></td> <td>P26A</td> <td>P26B</td> <td>P26F</td> <td></td> <td></td> </tr> <tr> <td>OFF - (ON)</td> <td></td> <td>P26L</td> <td>-</td> <td>P26T</td> <td></td> <td></td> </tr> <tr> <td>ON - (OFF)</td> <td></td> <td></td> <td></td> <td></td> <td></td> <td></td> </tr> <tr> <td>3A 277VAC, 6A 125 VAC</td> <td></td> <td>P267A</td> <td>P267B</td> <td>P267F</td> <td></td> <td></td> </tr> <tr> <td>OFF - (ON)</td> <td></td> <td>P267L</td> <td>-</td> <td>P267T</td> <td></td> <td></td> </tr> <tr> <td>ON - (OFF)</td> <td></td> <td></td> <td></td> <td></td> <td></td> <td></td> </tr> </table>	<i>Single Pole</i>		<i>solder lug</i>		<i>.250 tab</i>		<i>wire leads</i>	3A 250VAC, 6A 125 VAC, 3/4A 125V		P26A	P26B	P26F			OFF - (ON)		P26L	-	P26T			ON - (OFF)							3A 277VAC, 6A 125 VAC		P267A	P267B	P267F			OFF - (ON)		P267L	-	P267T			ON - (OFF)							<p>2 BUSHING STYLE</p> <table style="width: 100%; border-collapse: collapse;"> <tr> <td></td> <td style="text-align: center;"><i>length</i></td> <td style="text-align: center;"><i>diameter</i></td> </tr> <tr> <td>1A</td> <td style="text-align: center;">.406</td> <td style="text-align: center;">.375</td> </tr> <tr> <td>1B</td> <td style="text-align: center;">.406</td> <td style="text-align: center;">.468</td> </tr> <tr> <td>1C</td> <td style="text-align: center;">.465</td> <td style="text-align: center;">.375</td> </tr> <tr> <td>1D</td> <td style="text-align: center;">.465</td> <td style="text-align: center;">.468</td> </tr> </table> <p>3 BUTTON STYLE/COLOR</p> <table style="width: 100%; border-collapse: collapse;"> <tr> <td>BL</td> <td>black nylon</td> </tr> <tr> <td>RD</td> <td>red nylon</td> </tr> <tr> <td>RND MTL²</td> <td>round metal</td> </tr> <tr> <td>CON MTL²</td> <td>concave metal</td> </tr> </table>		<i>length</i>	<i>diameter</i>	1A	.406	.375	1B	.406	.468	1C	.465	.375	1D	.465	.468	BL	black nylon	RD	red nylon	RND MTL²	round metal	CON MTL²	concave metal
<i>Single Pole</i>		<i>solder lug</i>		<i>.250 tab</i>		<i>wire leads</i>																																																																			
3A 250VAC, 6A 125 VAC, 3/4A 125V		P26A	P26B	P26F																																																																					
OFF - (ON)		P26L	-	P26T																																																																					
ON - (OFF)																																																																									
3A 277VAC, 6A 125 VAC		P267A	P267B	P267F																																																																					
OFF - (ON)		P267L	-	P267T																																																																					
ON - (OFF)																																																																									
	<i>length</i>	<i>diameter</i>																																																																							
1A	.406	.375																																																																							
1B	.406	.468																																																																							
1C	.465	.375																																																																							
1D	.465	.468																																																																							
BL	black nylon																																																																								
RD	red nylon																																																																								
RND MTL²	round metal																																																																								
CON MTL²	concave metal																																																																								

NOTES

- 1 Additional ratings available. Consult factory for details.
- 2 Only available with 1D bushing in .502 length.
- () Indicates momentary function.