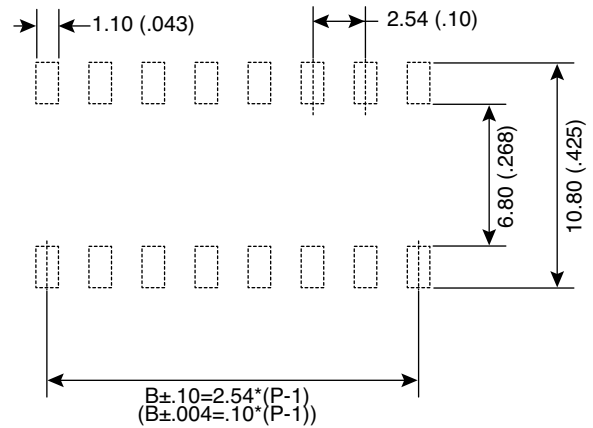
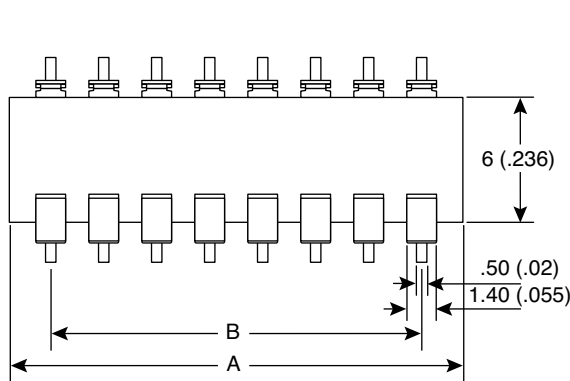
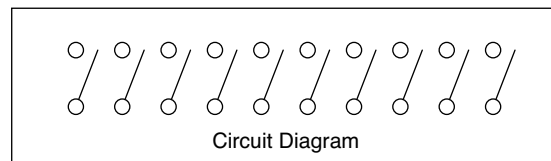
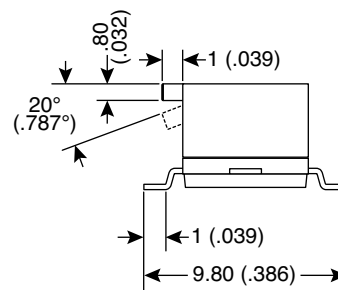
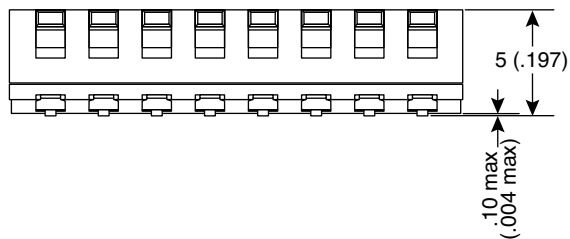


Dimensions: mm (in.)



PCB Layout



**Electrical Specifications:**

- Life: 2,000 cycles
- Rating: Switching 25mA/24VDC
- Contact Resistance: 100mΩ max. at initial
- Insulation Resistance: 100MΩ min. at 500VDC
- Dielectric Strength: 100VAC/1minute

**Materials:**

- Raised Actuator: High-Temp Thermoplastic LCP
- Terminal: Brass, gold plated

**Mechanical Specifications:**

- Life: 2,000 cycles
- Operation Force: 800gf max.
- Operating Temperature: -20°C to +85°C
- Storage Temperature: -40°C to +85°C

**Note:**

- RoHS Compliant

Mouser Stock No.	No. of Pos.	Dim. A mm (in.)	Dim. B mm (in.)
106-PM10-EV	10	26.80 (1.055)	22.86 (.900)
106-PM08-EV	8	21.72 (.855)	17.78 (.700)
106-PM06-EV	6	16.64 (.655)	12.70 (.500)
106-PM04-EV	4	11.56 (.455)	7.62 (.300)
106-PM02-EV	2	6.48 (.255)	2.54 (.100)

**Dip Switches (SMD)**

106-PM02-EV, 106-PM04-EV, 106-PM06-EV,  
106-PM08-EV, 106-PM10-EV

