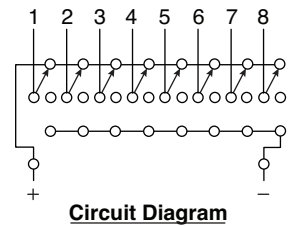
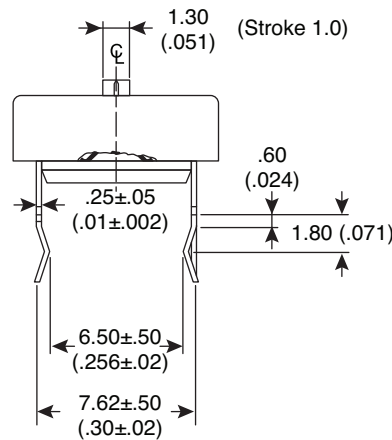
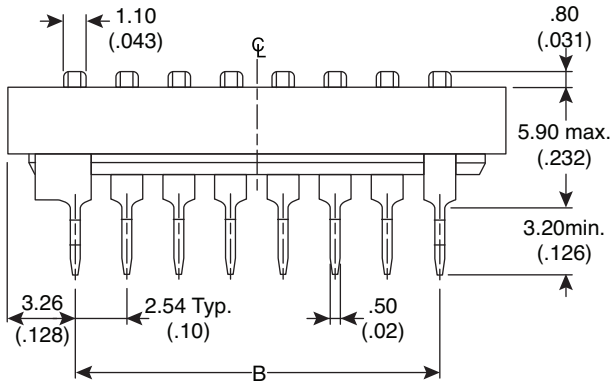
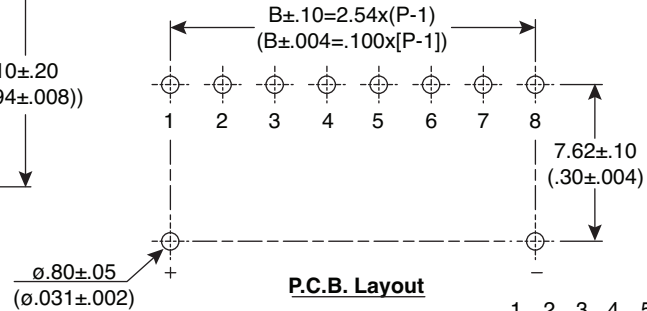
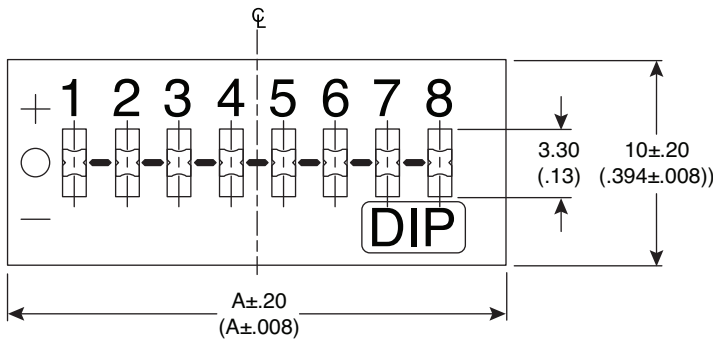
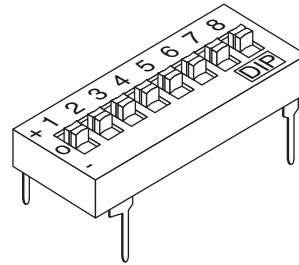


Dimensions: mm (in.)



**Electrical Specifications:**

- Rating: Non-switching: 100mA/50V DC  
Switching: 25mA/24V DC
- Contact resistance: 50mΩ max. (initial)
- Insulation resistance: 100MΩ min.

**Note:**

- RoHS Compliant and Process Compatible with 260° solder

Mouser Stock No.	No. of Pos.	Dim A. mm (in.)	Dim B. mm (in.)
106-TDS4-EV	4	14.14 (.557)	7.62 (.30)
106-TDS8-EV	8	24.30 (.957)	17.78 (.70)
106-TDS9-EV	9	26.84 (1.06)	20.32 (.80)
106-TDS10-EV	10	29.38 (1.16)	22.86 (.90)

**Mechanical Specifications:**

- Operating temperature: -20°C ~ +70°C
- Operation force: 1000gf max.

**DIP Switches**

106-TDS4-EV, 106-TDS8-EV, 106-TDS9-EV, 106-TDS10-EV



Available from Mouser Electronics

www.mouser.com

1-800-346-6873

Specifications are subject to change without notice. No liability or warranty implied by this information. Environmental compliance based on producer documentation.