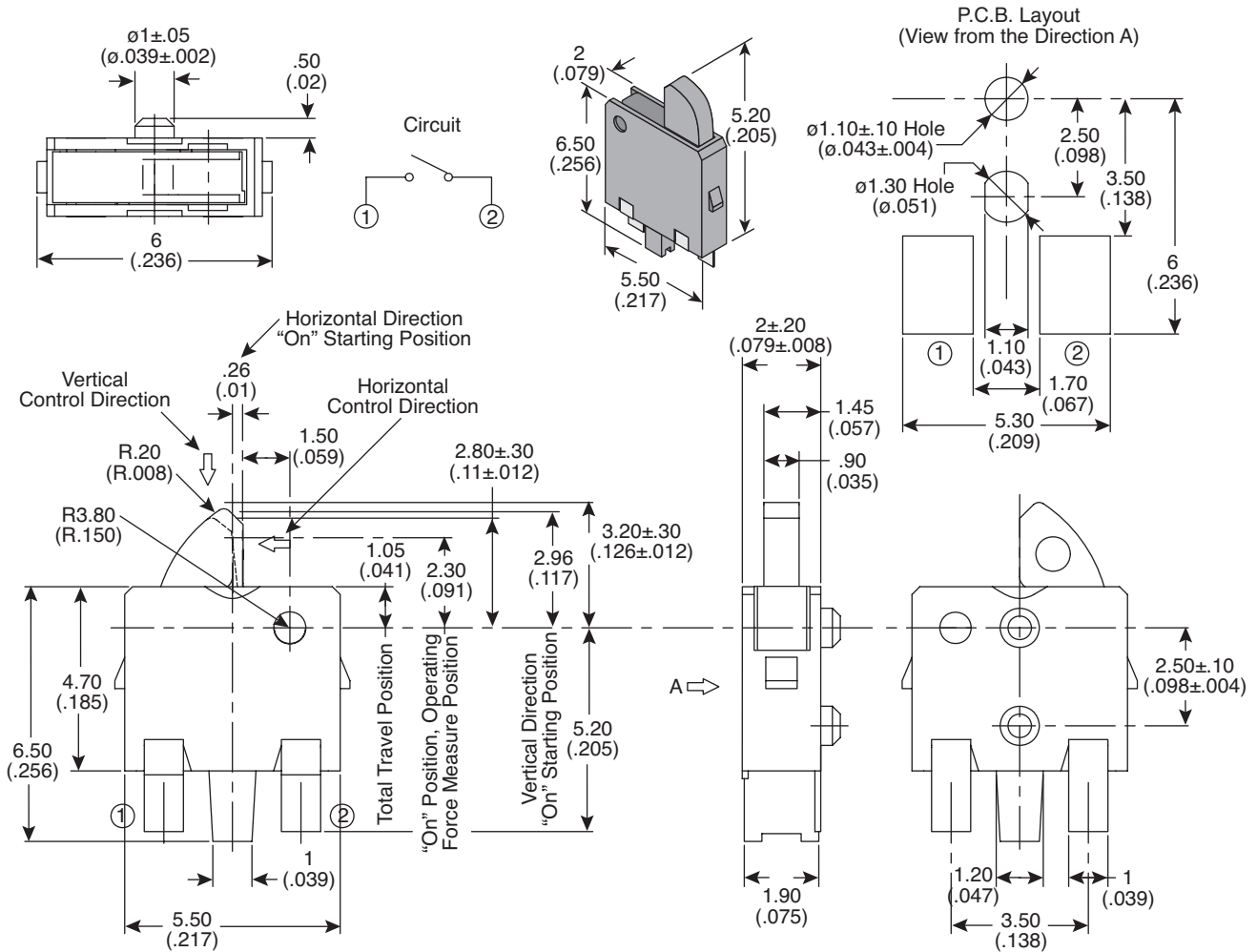


Dimensions: mm (in.)



Electrical Specifications:

- Rating: 50mA/20V DC
- Contact Resistance: 1 Ω Max.
- Insulation Resistance: 100M Ω Min.
- Dielectric Strength: 100 VAC (50Hz or 60Hz) shall be applied across terminals and cover for 1 minute
- Electrical Life: 50,000 cycles

Mechanical Specifications:

- Operating Temperature: -10 $^{\circ}$ C to +60 $^{\circ}$ C.
- Operation Force: 40gf Max.
- Storage Temperature: -20 $^{\circ}$ C to +70 $^{\circ}$ C
- Stroke: 2.15mm Max.

Note:

- RoHS Compliant

Detector Switch
104-TEML18-EV



Available from Mouser Electronics

www.mouser.com

1-800-346-6873

Specifications are subject to change without notice. No liability or warranty implied by this information. Environmental compliance based on producer documentation.