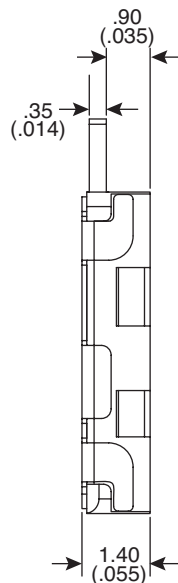
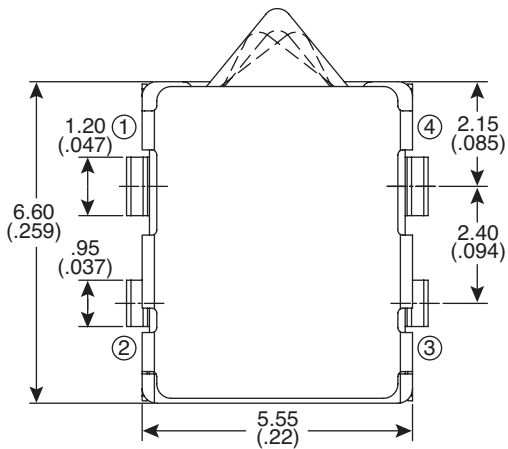
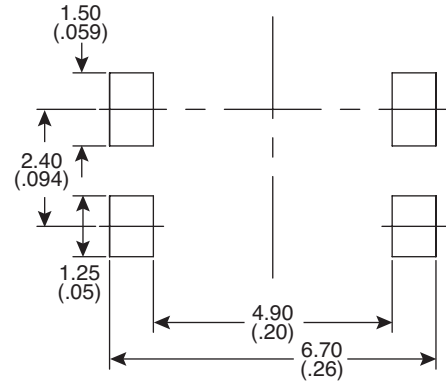
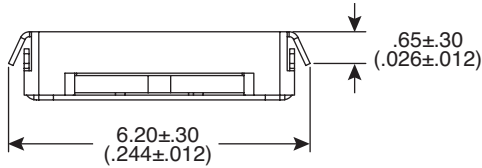
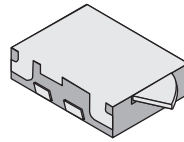
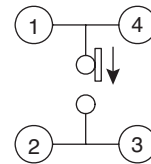


Dimensions: mm (in.)



Circuit Diagram



Terminal	Define
1	No
2	Common
3	Common
4	No

Electrical Specifications:

- Contact Resistance: Max. 2mΩ (Initial)
Before measure the switch contact resistance, please press the switch three times on and off
- Insulation Resistance: Min. 100 MΩ (At 100 VDC for 1 minute)
- Dielectric Strength: 100VAC (50~60Hz) minute
- Rating: 1mA/5 VDC
- Electrical Life: Min. 50,000 operations
- Operating Frequency: Max. 20 operations per minute

Mechanical Specifications:

- Operation Force (OF): 40 gf Max.
- Free Position (FP): Max. 3.75mm
- Operation Position (OP) for down: 3.4±0.2mm
- Operation Position (OP) for side: 3.4±0.2mm
- Total Travel Position: Min. 2.0mm
- Operating Temperature: -10°C~60°C for 96 hr.
- Storage Temperature: -25°C~85°C for 96 hr.

Soldering Process:

- Temperature: Max. 250°C for 10 seconds
- Soldering by Hand: Max. 260°C for 5 seconds

Note:

- RoHS Compliant

Detector Switch
101-DPS11-EV



Available from Mouser Electronics

www.mouser.com

1-800-346-6873

Specifications are subject to change without notice. No liability or warranty implied by this information. Environmental compliance based on producer documentation.