

## Relialign™ RDI2 Series

### Residential Door Interlock Switch



#### DESCRIPTION

The Relialign™ Series electromechanical door interlock is designed specifically for swing door applications that include residential elevators, dumbwaiters, and platform lifts. The door interlock holds the door in place and prevents it from being opened when not desired (e.g. the elevator/lift car is not present at the door). A number of design features contribute to its enhanced safety, reduction of nuisance stoppages and call-backs, as well as simplified wiring and installation.

The Relialign™ RDI2 Series interlock features a rugged plastic molded housing. Featuring a custom internal solenoid control, Relialign™ interlock can reduce complexity of the host controller, trim down power consumption for a “greener” product, extend solenoid life and reduce solenoid “time outs,” lessening customer aggravation.

#### FEATURES

- Compliant to ASME A17.1, UL standard 104, and CSA-B44.1
- Manual override for easy actuation without user hazard
- Two separate mechanical actions to indicate door closure
- Rugged plastic molded housing
- Metal key
- Internal solenoid control
- No open or exposed contacts
- Key engagement minimizes nuisance stoppage
- Door closure retention cam to hold door with minimal key-to-interlock play
- Series or parallel wiring option for the door closed and door locked switches
- 6 pin terminal strip or Cat 5 connection options
- Configurable product platform
- Universal voltage for ac and dc applications
- 51,44 mm W x 273,05 mm H x 49,23 mm D  
[2.025 in W x 10.75 in H x 1.938 in D]

A Honeywell MICRO SWITCH™ switch is used to indicate door closure, providing an extra level of reliability.

Reliability and smooth operations are also enhanced by use of a metal key that is less susceptible to bending and breakage than plastic. The lack of open or exposed contacts minimizes the possibility of owners making manual adjustments. Finally, the engagement of the key initiates electrical contact.

The snap-action cam mechanism requires less adjustment set-up time and reduces door movement that could lead to a nuisance shutdown. Connection options include a 6-pin terminal strip or a Cat 5 connector, simplifying installation. The Relialign™ Series is designed to be easy for the OEM to retrofit into their current design.

#### POTENTIAL APPLICATIONS

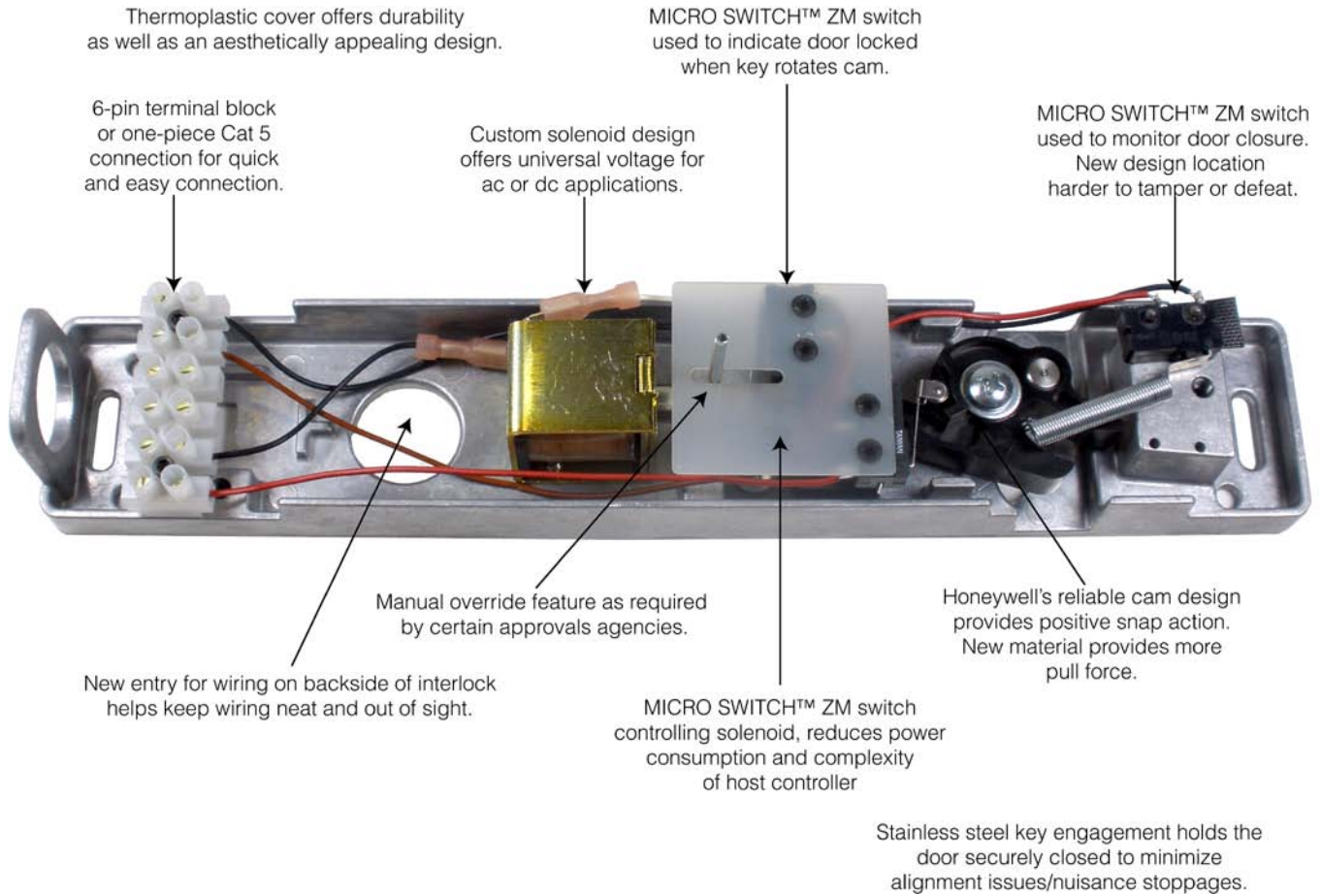
- Residential elevators
- Residential dumbwaiters
- Platform/vertical lifts

#### BENEFITS

- Meets required safety codes
- Reduced potential for call-backs
- Reliable performance and multiple design features to minimize nuisance stoppage of applications
- Simplified wiring and installation
- Reduced OEM design and manufacturing costs
- Strong OEM sales message: enhanced safety, reduced owner aggravation, reduced power consumption
- Honeywell brand quality

# Relialign™ RDI2 Series

## DESIGN FEATURES



## PRODUCT LISTING

| Catalog Listings | Description   |
|------------------|---|
| RDI2RBS2         | Relialign™ Series door interlock, right-hand swing, ac/dc voltage, series wiring, Cat 5 connector                 |
| RDI2LBS2         | Relialign™ Series door interlock, left-hand swing, ac/dc voltage, series wiring, Cat 5 connector                  |
| RDI2RBS1         | Relialign™ Series door interlock, right-hand swing, ac/dc voltage, series wiring, 6-pin terminal strip connection |
| RDI2LBS1         | Relialign™ Series door interlock, left-hand swing, ac/dc voltage, series wiring, 6-pin terminal strip connection  |

## ACCESSORIES

| Catalog Listing | Description                       |
|-----------------|-----------------------------------|
| GKZ91           | Relialign™ Series replacement key |

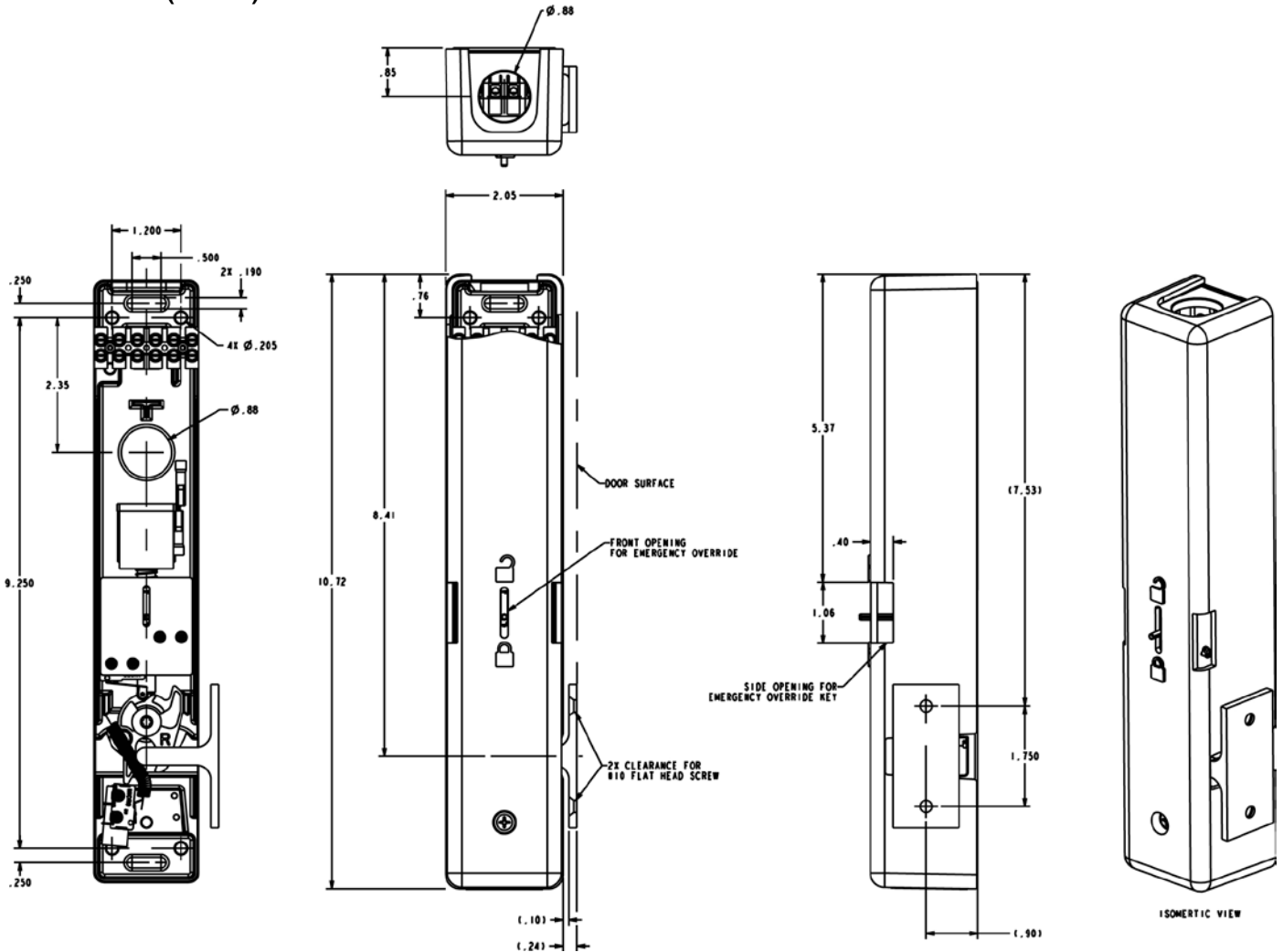
# Door Interlock Switches

## PRODUCT NOMENCLATURE

|  |                                 |  |                                      |  |  |
|--|---------------------------------|--|--------------------------------------|--|--|
| <b>RD12</b>  | <b>R</b>                        | <b>B</b>                                     | <b>S</b>                             | <b>2</b>   | <b>---</b>   |
| <b>Switch type</b>   | <b>Key-entry Position</b>       | <b>Solenoid Type</b>                         | <b>Wiring Type</b>                   | <b>Connector Type</b>  | <b>Specials</b>  |
| <b>Realign™</b><br>Series<br>Residential<br>Door Interlock | <b>R</b> Right<br><b>L</b> Left | <b>A</b> ac<br><b>D</b> dc<br><b>B</b> ac/dc | <b>P</b> Parallel<br><b>S</b> Series | <b>1</b> 6-pin terminal strip<br><b>2</b> Cat5<br><b>3</b> Other | Two characters, letters or numbers to signify customer name or other unique features of the product not covered in the nomenclature. This field is not required. |

\*Not all combinations are possible.

## DIMENSIONS (inches)



## **WARNING**

### **RISK TO LIFE OR PROPERTY**

Never use this product for an application involving serious risk to life or property without ensuring that the system as a whole has been designed to address the risks, and that this product is property rated and installed for the intended use within the overall system.

**Failure to comply with these instructions could result in death or serious injury.**

### **WARRANTY/REMEDY**

Honeywell warrants goods of its manufacture as being free of defective materials and faulty workmanship. Honeywell's standard product warranty applies unless agreed to otherwise by Honeywell in writing; please refer to your order acknowledgement or consult your local sales office for specific warranty details. If warranted goods are returned to Honeywell during the period of coverage, Honeywell will repair or replace, at its option, without charge those items it finds defective. **The foregoing is buyer's sole remedy and is in lieu of all other warranties, expressed or implied, including those of merchantability and fitness for a particular purpose. In no event shall Honeywell be liable for consequential, special, or indirect damages.**

While we provide application assistance personally, through our literature and the Honeywell web site, it is up to the customer to determine the suitability of the product in the application.

Specifications may change without notice. The information we supply is believed to be accurate and reliable as of this printing. However, we assume no responsibility for its use.

## **WARNING**

### **MISUSE OF DOCUMENTATION**

- The information presented in this product sheet is for reference only. Do not use this document as a product installation guide.
- Complete installation, operation, and maintenance information is provided in the instructions supplied with each product.

**Failure to comply with these instructions could result in death or serious injury.**

### **SALES AND SERVICE**

Honeywell serves its customers through a worldwide network of sales offices, representatives and distributors. For application assistance, current specifications, pricing or name of the nearest Authorized Distributor, contact your local sales office or:

**E-mail:** [info.sc@honeywell.com](mailto:info.sc@honeywell.com)

**Internet:** [www.honeywell.com/sensing](http://www.honeywell.com/sensing)

#### **Phone and Fax:**

|               |                         |
|---------------|-------------------------|
| Asia Pacific  | +65 6355-2828           |
|               | +65 6445-3033 Fax       |
| Europe        | +44 (0) 1698 481481     |
|               | +44 (0) 1698 481676 Fax |
| Latin America | +1-305-805-8188         |
|               | +1-305-883-8257 Fax     |
| USA/Canada    | +1-800-537-6945         |
|               | +1-815-235-6847         |
|               | +1-815-235-6545 Fax     |

Sensing and Control  
Honeywell  
1985 Douglas Drive North  
Golden Valley, MN 55422  
[www.honeywell.com](http://www.honeywell.com)

001034-1-EN IL50 GLO Printed in USA  
June 2010  
Copyright © 2010 Honeywell International Inc. All rights reserved.

# Honeywell