



# Commercial CCR-33M

## 75 Ohm DC-3GHz SPDT Switch

### Failsafe

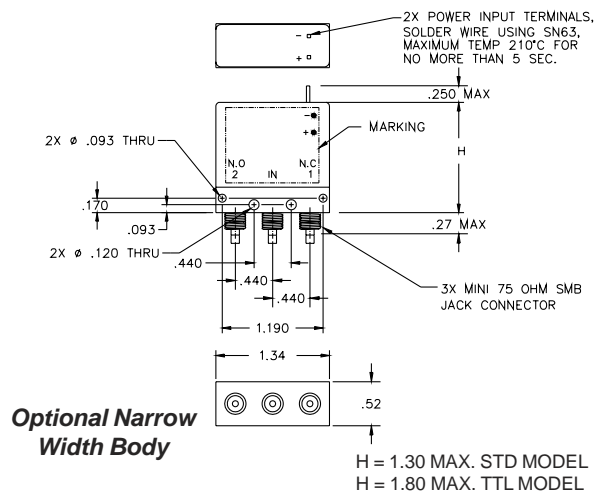
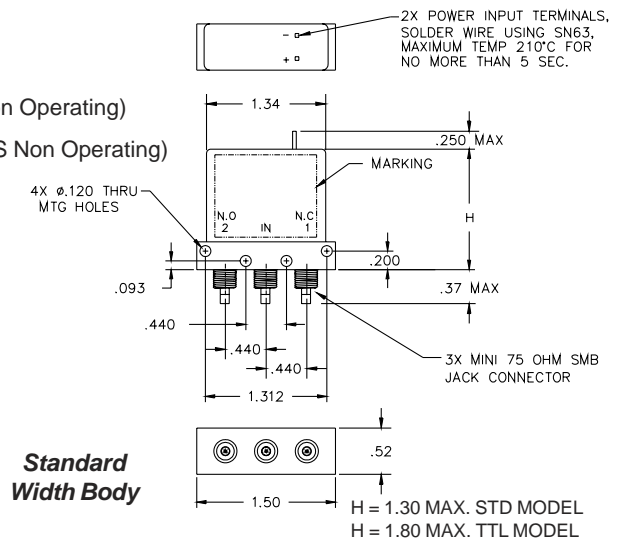
The CCR-33M switch is the first of its series, expanding our product line to include 75-Ohm designs. This SPDT is designed for optimum performance in 75-Ohm applications switching signals from a common input to either of two outputs. The characteristic impedance is 75 Ohms. The switches are small with connector spacing compatible with mini-SMB connectors.

The CCR-33M series switch is offered with either a failsafe or latching actuator. This design is compatible with the two most common mounting hole patterns.

### Specifications

<b>RF Contacts:</b>	Break before make			
<b>Actuator</b>	Voltage (VDC) 20°C	12	15	28
	Current (mA)	200	160	90
<b>Switching Time:</b>	20 msec max			
<b>Connectors:</b>	mini-SMB 75 Ohm Jack. In accordance with IEC 169-10, CECC 22 130, US MIL-C-39012			
<b>Weight:</b>	1.65 oz. max			
<b>Temperature Range:</b>	-25° C to +65° C (Operating)			
<b>Shock:</b>	MIL-STD-202 Method 213, Condition D (500G Non Operating)			
<b>Vibration:</b>	MIL-STD-202 Method 214, Condition D (10G RMS Non Operating)			
<b>Humidity:</b>	Moisture Seal Available			
<b>Typical Contact Life:</b>	5 Million Cycles			

Specifications	DC-1 GHz	1-3 GHz
VSWR (max)	1.20:1	1.30:1
Insertion Loss (min)	0.20 dB	0.30 dB
Isolation (max)	80.0 dB	70.0 dB



Specifications subject to change without notice.

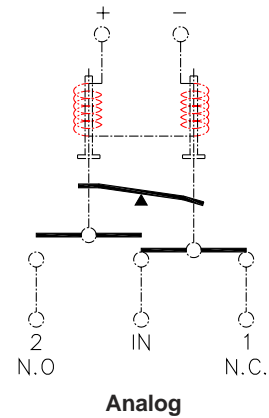
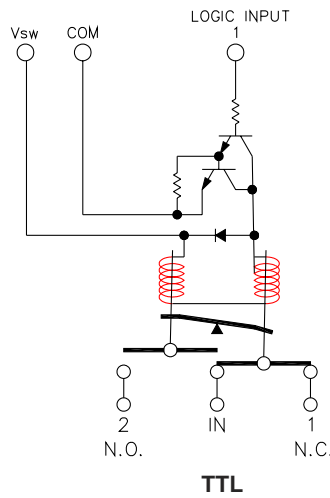
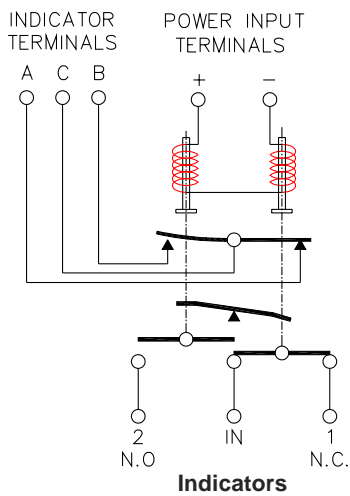
www.teledynecoax.com  
email: coax@teledyne.com

Tel: (800) 351-7368  
09/2007

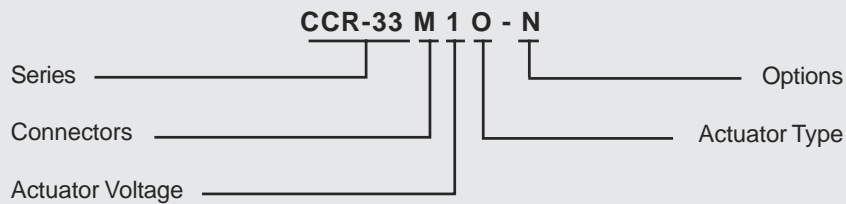
# Commercial CCR-33M

## 75 Ohm DC-3GHz SPDT Switch

### Failsafe



### Part Numbering System for CCR-33M (Failsafe)



#### Connector

M: mini-SMB Female #

#### Actuator Voltage

1: 28Vdc Failsafe #  
 2: 15Vdc Failsafe  
 3: 12Vdc Failsafe

#### Actuator Type

O: No Indicator Contacts #  
 C: Indicator Contacts

#### Options

T: TTL Drivers with Diodes  
 N: Narrow Body  
 R: Positive + Common

For other options contact Factory

#: Stock item subject to prior sale



Specifications subject to change without notice.

www.teledynecoax.com  
 email: coax@teledyne.com

Tel: (800) 351-7368  
 09/2007