

# Commercial CCS-37 Miniature Transfer DC-18GHz Failsafe

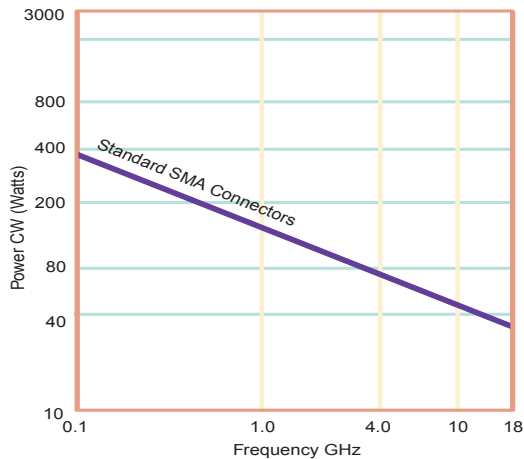


The CCS-37 Failsafe Switch is a long-life high performance transfer switch designed for use in 50 Ohms coaxial transmission lines operating over frequencies ranging from DC to 18 GHz. The switch is designed for minimum size compatible with SMA connector spacing.

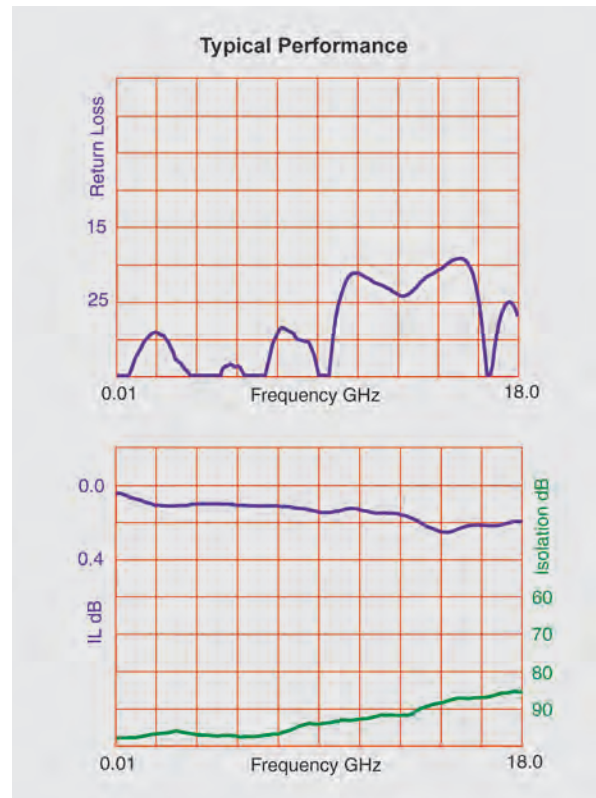
The failsafe switches on this page are provided with a spring operated actuator which is particularly desirable in applications where the switch is connected to one position (normally closed) most of the time and only periodically switched to the alternate position. In this type of application, holding power is required only when operating in the alternate position. Also, switching circuitry is simplified, since only one DC circuit is required.

## Specifications

<b>RF Contacts:</b>	Break before make			
<b>Actuator</b>	Voltage (VDC) 20°C	12	15	28
	Current (mA)	380	300	200
<b>Switching Time:</b>	20 msec max			
<b>Connectors:</b>	SMA (f)			
<b>Weight:</b>	2.50 oz. max			
<b>Temperature Range:</b>	-40°C to +65°C (Operating)			
<b>Shock:</b>	MIL-STD-202 Method 213, Condition D (500G Non Operating)			
<b>Vibration:</b>	MIL-STD-202 Method 214, Condition D (10G RMS Non Operating)			
<b>Humidity:</b>	Moisture Seal Available			
<b>MTBF:</b>	6.8 Million Hours (MIL-HDBK-217F Fixed, 25°C, <1 Cycle per hour)			
<b>RF Power Handling:</b>				



Specifications	DC-6 GHz	6-12 GHz	12-18 GHz
VSWR (max)	1.25:1	1.40:1	1.50:1
Insertion Loss (min)	0.20 dB	0.40 dB	0.50 dB
Isolation (max)	70.0 dB	60.0 dB	60.0 dB

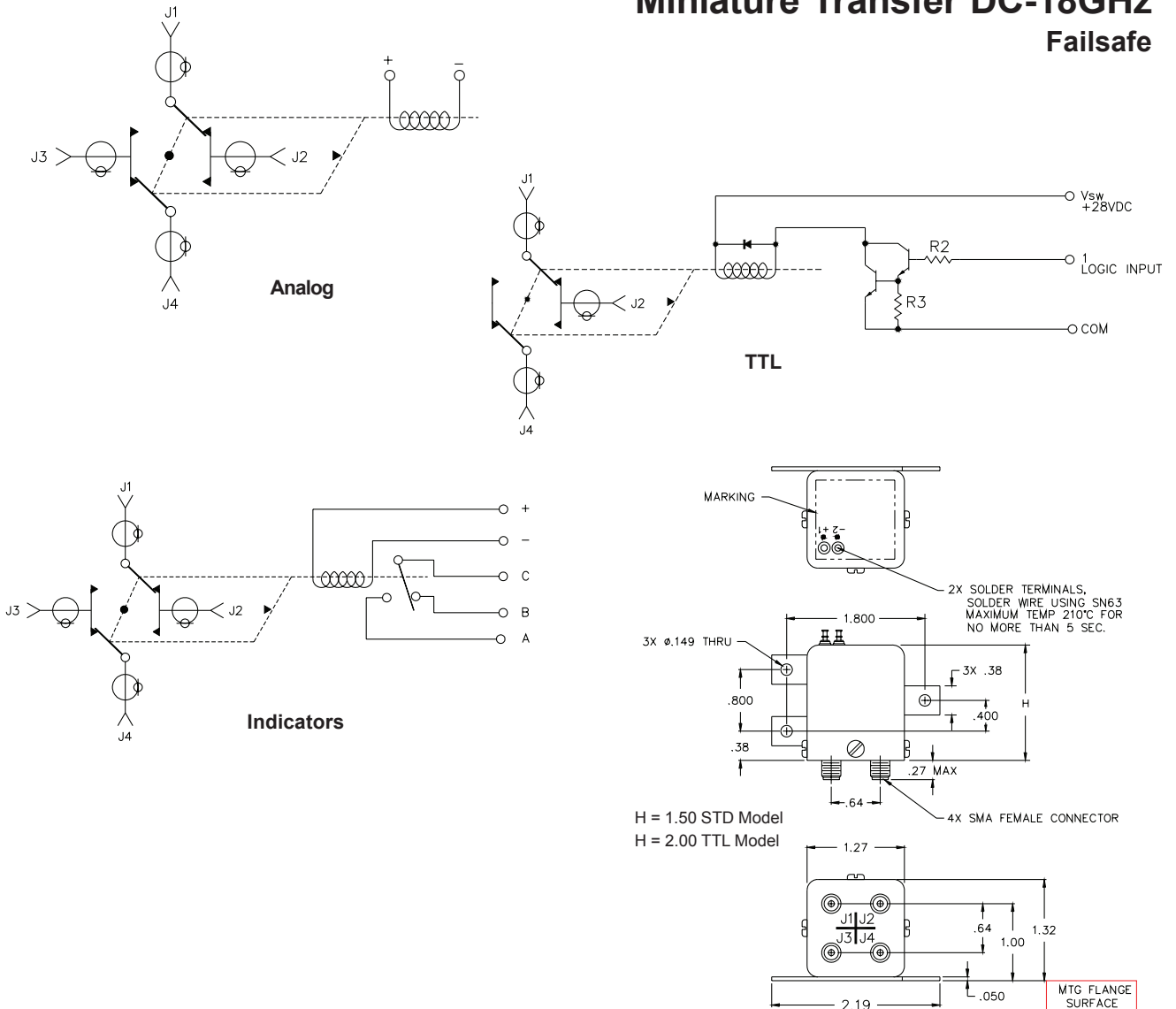


Specifications subject to change without notice.

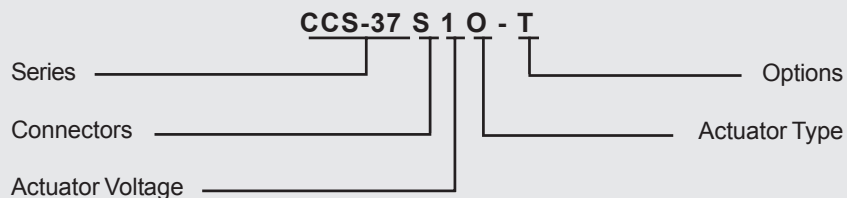
www.teledynecoax.com  
email: coax@teledyne.com

Tel: (800) 351-7368  
10/2007

# Commercial CCS-37 Miniature Transfer DC-18GHz Failsafe



## Part Numbering System for CCS-37 (Failsafe)



**Connector**  
S: SMA Female #

**Actuator Voltage**  
1: 28Vdc Failsafe #  
2: 15Vdc Failsafe  
3: 12Vdc Failsafe

**Actuator Type**  
O: No Indicator Contacts #  
C: Indicator Contacts

**Options**  
T: TTL Drivers with Diodes  
R: Positive + Common

For other options contact Factory

#: Stock item subject to prior sale



Specifications subject to change without notice.

www.teledynecoax.com  
email: coax@teledyne.com

Tel: (800) 351-7368  
10/2007