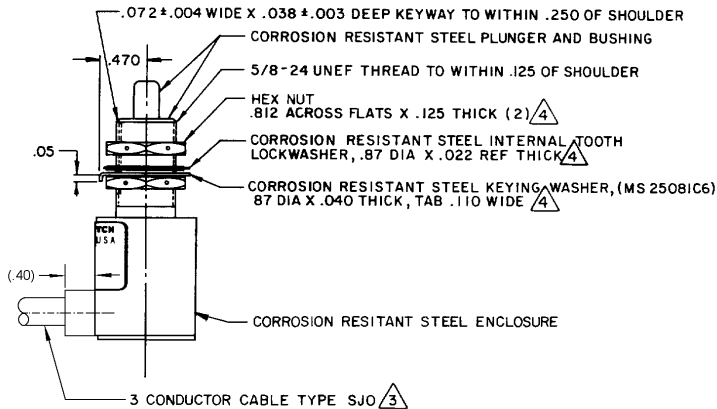
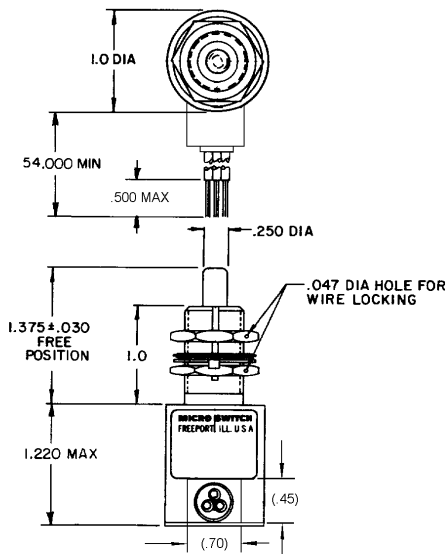
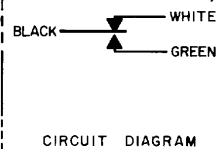


**MICRO SWITCH**  
 FREEPORT ILLINOIS U.S.A.  
 A DIVISION OF HONEYWELL  
 FED MFG CODE 8182

**SWITCH - ENCLOSED**

CATALOG LISTING  
**1CH111**



- NOTES**
- 1 - SWITCH SEALED PER MIL-PRF-8805 SYMBOL 3
  - 2 - CIRCUIT DIAGRAM, CATALOG LISTING AND DATE CODE ARE SHOWN ON NAMEPLATE
  - 3 WIRE LEADS COLOR CODED TO SHOW LEAD IDENTIFICATION
  - 4 HARDWARE MAY BE PACKAGED UNASSEMBLED PER MIL-PRF-8805

RASTER  
 FOR ENCL. B  
 DRAWN  
 J. A. S.  
 30 SEPT 86  
 CHECK  
 K. A. G.  
 3 OCT 86  
 CHECK  
 S. R.  
 27 OCT 86  
 CHECK  
 R. L.  
 27 OCT 86  
 CHECK  
 M  
 16  
 DRAWING NUMBER  
 1CH111  
 REPLACES  
 PR-15084  
 RELEASE NO.

THIS DRAWING COVERS A PROPRIETARY ITEM AND IS THE PROPERTY OF MICRO SWITCH, A DIVISION OF HONEYWELL. THIS DRAWING IS NOT TO BE COPIED OR USED WITHOUT THE APPROVAL OF MICRO SWITCH.		SCALE FULL	
CHARACTERISTICS		DO NOT SCALE PRINT	
OPERATING FORCE	6-12 LB	TOLERANCES	
FULL OVERTRAVEL FORCE	30 LB MAX	APPLY TO DIMEN UNLESS OTHERWISE INDICATED FOR REFERENCE UNLESS NOTED TOLERANCES ARE:	
RELEASE FORCE	4 LB MIN	DIM INCHES FRACTIONS DECIMALS	
PRETRAVEL	.040 MAX	FRACTIONS DECIMALS	
DIFFERENTIAL TRAVEL	.020 MAX	FRACTIONS DECIMALS	
OVERTRAVEL	.250 MIN	FRACTIONS DECIMALS	
ELECTRICAL DATA		DESIGN UNITS	
CONTACT ARRANGEMENT		METRIC	
S P D T		UNUSUAL	
LOAD		THIRD ANGLE PROJECTION	
RES	4	4	
IND	2	2	
MOTOR	4	4	
28 VDC		WEIGHT 8.6 OZ MAX	
SEA LEVEL 50,000 FT.			