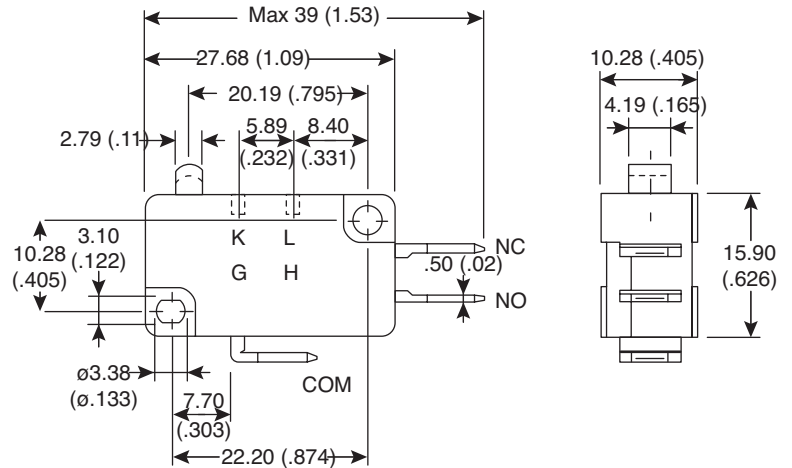
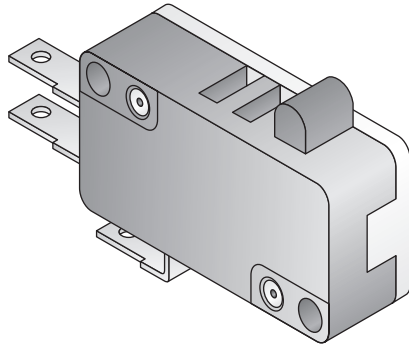
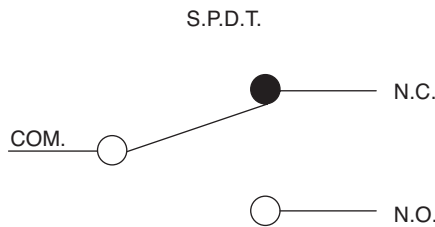


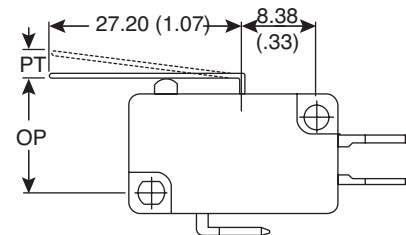
Dimensions: mm (In)



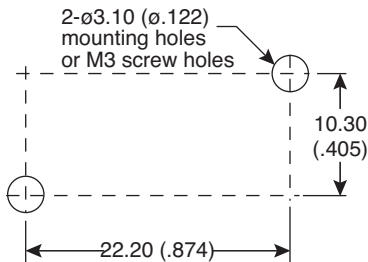
Contact Configuration



Operating Characteristics

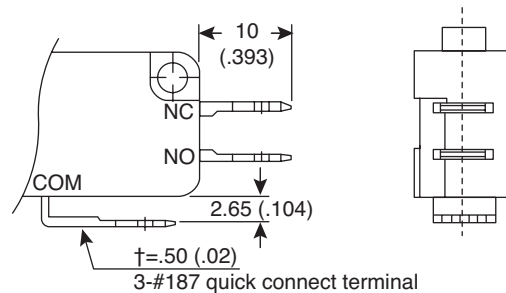


Mounting Holes



Terminal Type

Quick connect terminal 187 series



Electrical Specifications:

- Rating: 0.1A / 125/250 VAC
- Insulation Resistance (at 500VDC): 100M Ω Min.
- Dielectric Strength: 1,000V AC RMS (50-60HZ)
- Contact Resistance (initial): 30m Ω , 100m Ω Max.
- Electrical Operating Frequency: 10~30 operations/min
- Electrical Life: 6,000~100,000 operations

Mechanical Specifications:

- Mechanical Operating Frequency: 300 operations/min
- Mechanical Life: 5,000,000~10,000,000 operations

Operating Characteristics:

- OF Max. (g): 37
- OP (mm): 15.3 \pm 1.5
- PT Max. (mm): 3.18
- OT Min. (mm): 1.60
- MD Max. (mm): 0.76

Note:

- RoHS compliant and process compatible with 260° solder.

Miniature Snap Switch
 101-21-P1-037ST-EV

