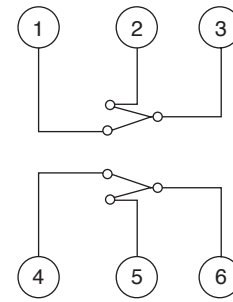
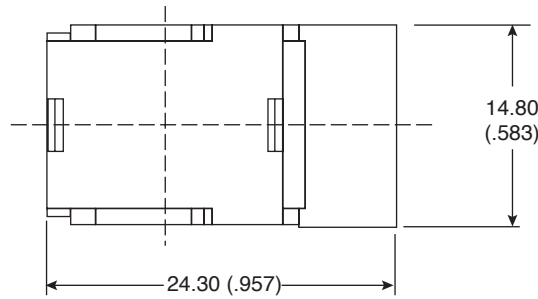
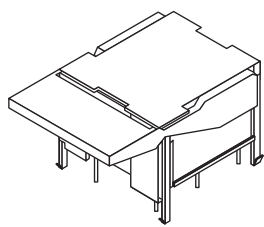
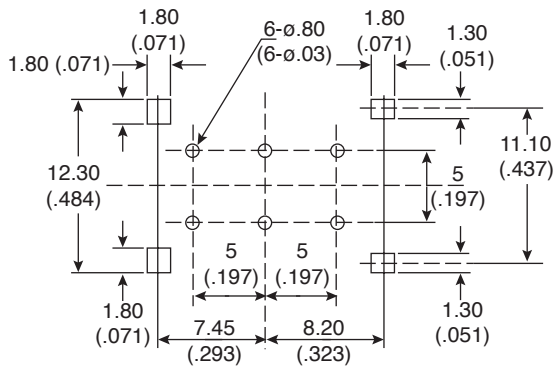
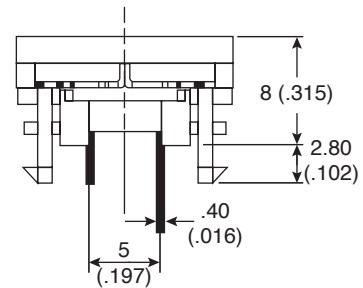
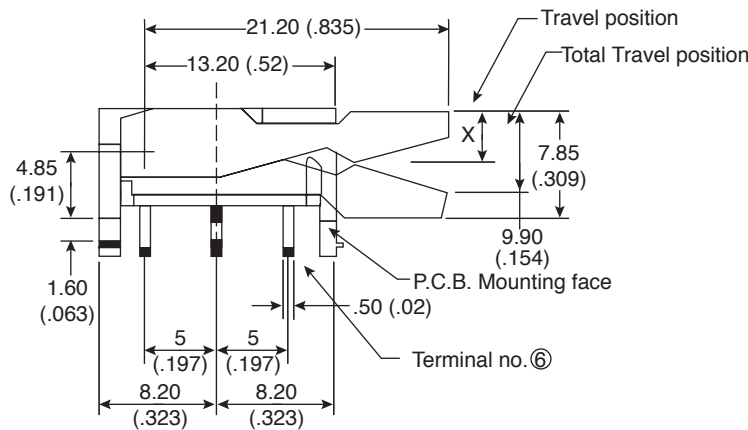


Dimensions: mm (In.)

Circuit diagram (viewed from direction "A")



↓ A



Time log diagram

①	③	ON					OFF
②	③	OFF					ON
④	⑥	ON					OFF
⑤	⑥	OFF					ON

Travel positions (X)

P.C.B. mounting detail (viewed from direction "A")

Electrical Specifications:

- Rating: 0.2A/50VDC
- Insulation resistance: > 100MΩ DC-500V
- Dielectric Strength: 500VAC for 1 minute
- Contact resistance: < 100mΩ
- Life cycling (full load): 300,000 cycles

Mechanical Specifications:

- Switching timing: Non-Shorting
- Life cycling (no load): 500,000 cycles
- Operating Force: 80gf max.

Note:

- RoHS Compliant

Hook Switch
101-1401-EV



Available from Mouser Electronics

www.mouser.com

1-800-346-6873