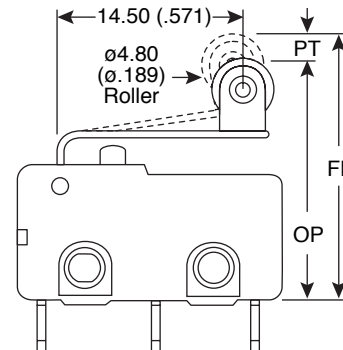
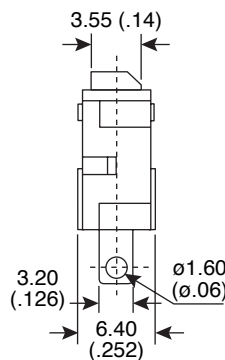
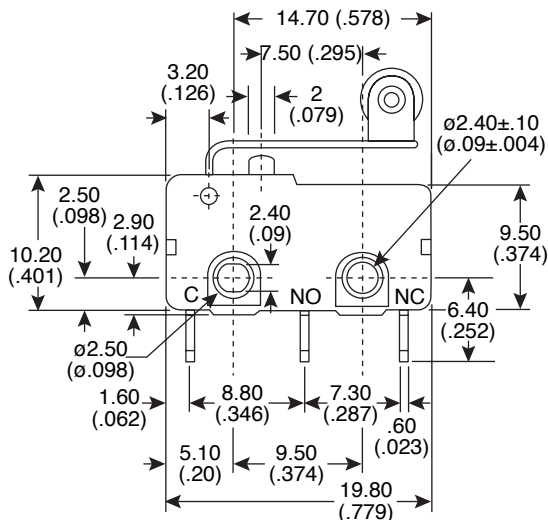
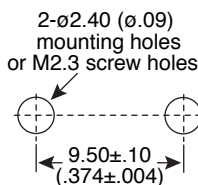


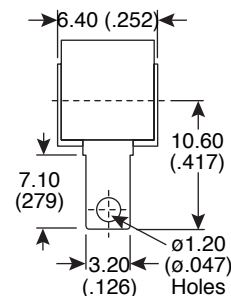
Dimensions: mm (In.)



Contact Configuration



Mounting Holes



Quick Connect Terminal

Mechanical Specifications:

- Operating Frequency: 120 operations/min
- Life: 10,000,000 operation min.

Note:

- RoHS compliant and process compatible with 260° solder.

Electrical Specifications:

- Operating Frequency: 10~30 operations/min
- Life: 6,000~100,000 operations
- Rating: 10.1A/125VAC/250VAC
- Contact Resistance: 30mΩ max.
- Insulation Resistance: 100mΩ min. @ 500VDC
- Dielectric Strength: 1,000VAC RMS (50-60HZ)

Operating Characteristics:

- OF Max. (g): 60
- Op (mm): 17.5 ± 0.8
- PT Max. (mm): 3.8
- OT Min. (mm): 0.8
- MD Max. (mm): 0.8
- FP Max. (mm): 20.5
- RF Min. (g): 15

Sub-Miniature Snap Switch
 101-61-10-060RR-Q-EV

