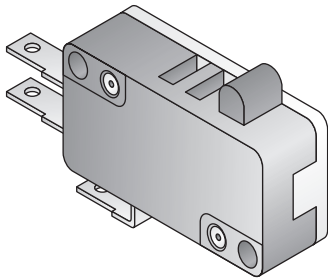
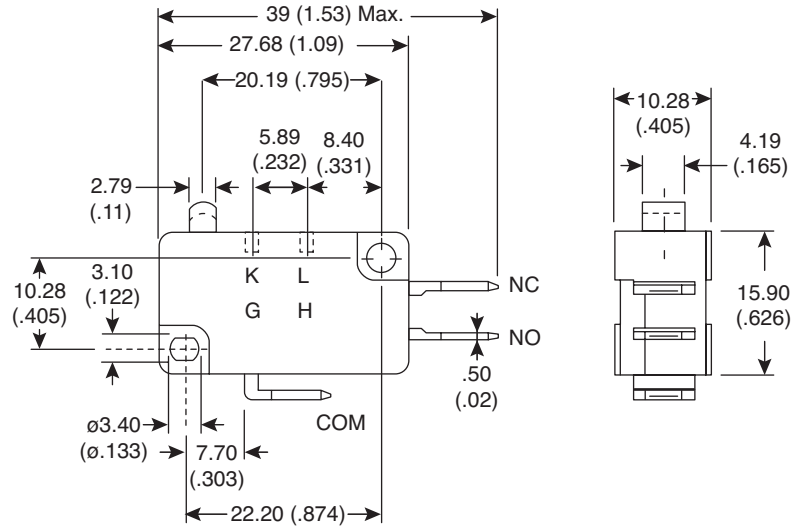
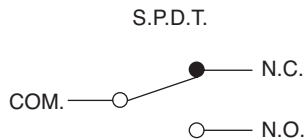


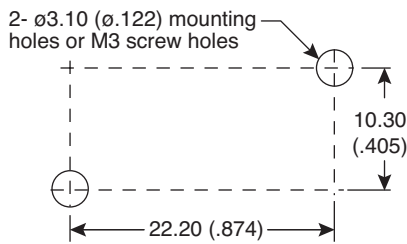
Dimensions: mm (In.)



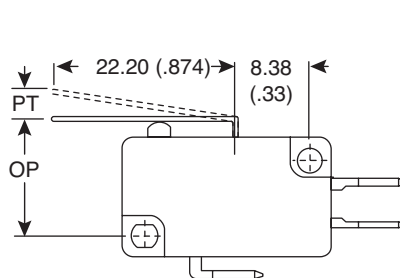
Contact Configuration



Mounting Holes

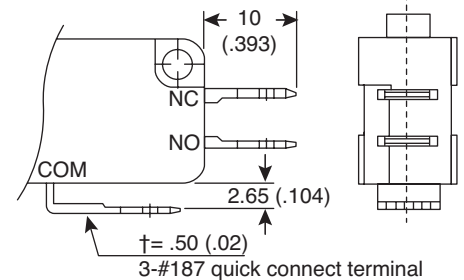


Operating Characteristics



Terminal Type

Quick connect terminal 187 series



Mechanical Specifications:

- Operating Frequency: 300 operations/min
- Life: 5,000,000~10,000,000 operation

Note:

- RoHS Compliant and Process Compatible with 260° solder.

Electrical Specifications:

- Operating Frequency: 10~30 operations/min
- Life: 6,000~100,000 operations
- Rating: 15A/125VAC/250VAC
- Contact Resistance: 30m $\Omega$  max.
- Insulation Resistance: 100M $\Omega$  min. @ 500VDC
- Dielectric Strength: 1,000VAC RMS (50-60HZ)

Operating

Characteristics:

- OF Max. (g): 180
- OP (mm): 15.3 $\pm$ 1.5
- PT Max. (mm): 3.18
- OT Min. (mm): 1.60
- MD Max. (mm): 0.76

Miniature Snap Switch  
101-21-15-180ST-EV

