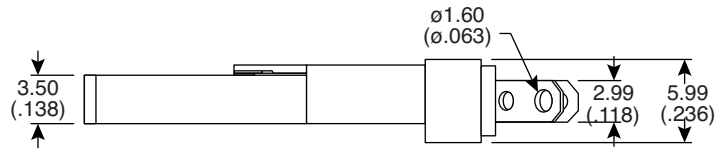
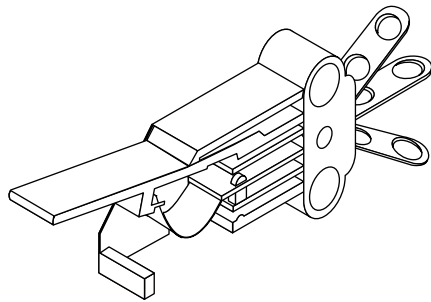
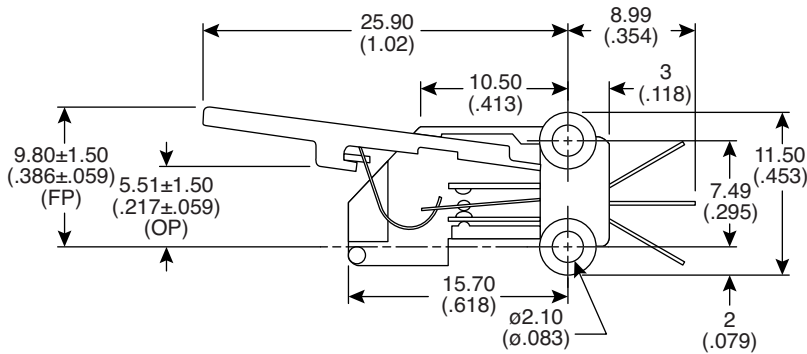


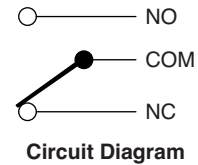
Dimensions: mm (in.)



Top View



Side View



Electrical Specifications:

- Rating: 1A/30VDC
- Contact resistance: <50mΩ
- Insulation resistance: 100MΩ @ 125VDC
- Dielectric Strength: 125VAC for 1 minute
- Electrical life: 10,000 cycles

Mechanical Specifications:

- Mechanical life: 30,000 cycles
- Operating force: 100gf max.

Note:

- FP: Free Position
- OP: Open Position
- RoHS Compliant

Leaf Switch
101-1302-EV



Available from Mouser Electronics

mouser.com

1-800-346-6873

Specifications are subject to change without notice. No liability or warranty implied by this information. Environmental compliance based on producer documentation.