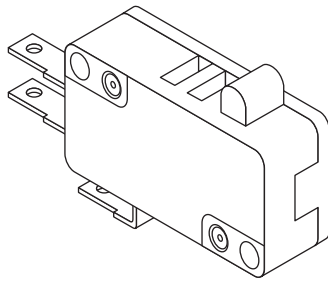
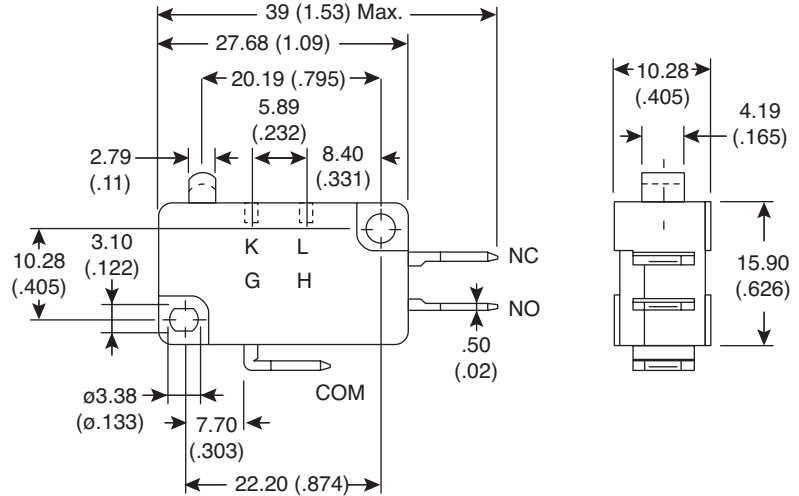
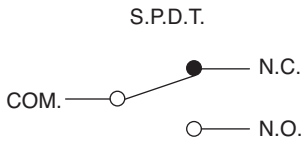


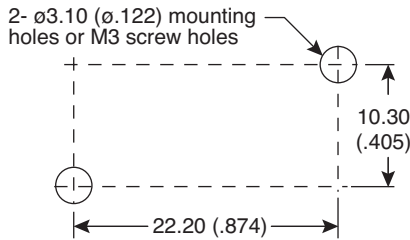
Dimensions: mm (In.)



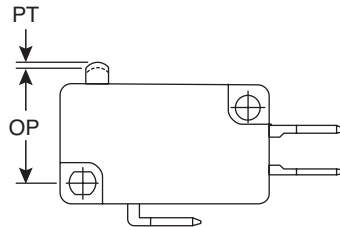
Contact Configuration



Mounting Holes

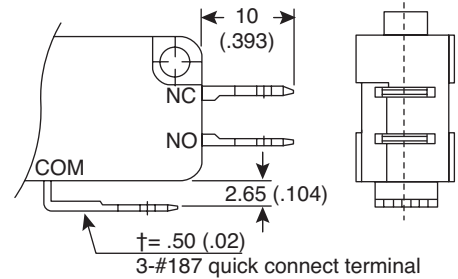


Operating Characteristics



Terminal Type

Quick connect terminal 187 series



Electrical Specifications:

- Rating: 6A, 125/250 VAC
- Insulation Resistance (at 500VDC): 100M $\Omega$  Min.
- Dielectric Strength: 1,000VAC RMS (50-60HZ)
- Contact Resistance (initial): 30m $\Omega$ , 100m $\Omega$  Max.
- Electrical Operating Frequency: 10~30 operations/min
- Electrical Life: 6,000~100,000 operations

Mechanical Specifications:

- Mechanical Operating Frequency: 300 operations/min
- Mechanical Life: 5,000,000~ 10,000,000 operations

Note:

- RoHS Compliant and process compatible with 260° solder

Operating Characteristics:

- OF Max. (g): 170
- OP (mm): 14.7 $\pm$ 0.5
- PT Max. (mm): 1.20
- OT Min. (mm): 0.80
- MD Max. (mm): 0.25

Miniature Snap Switch  
101-21-06-170XX-EV

