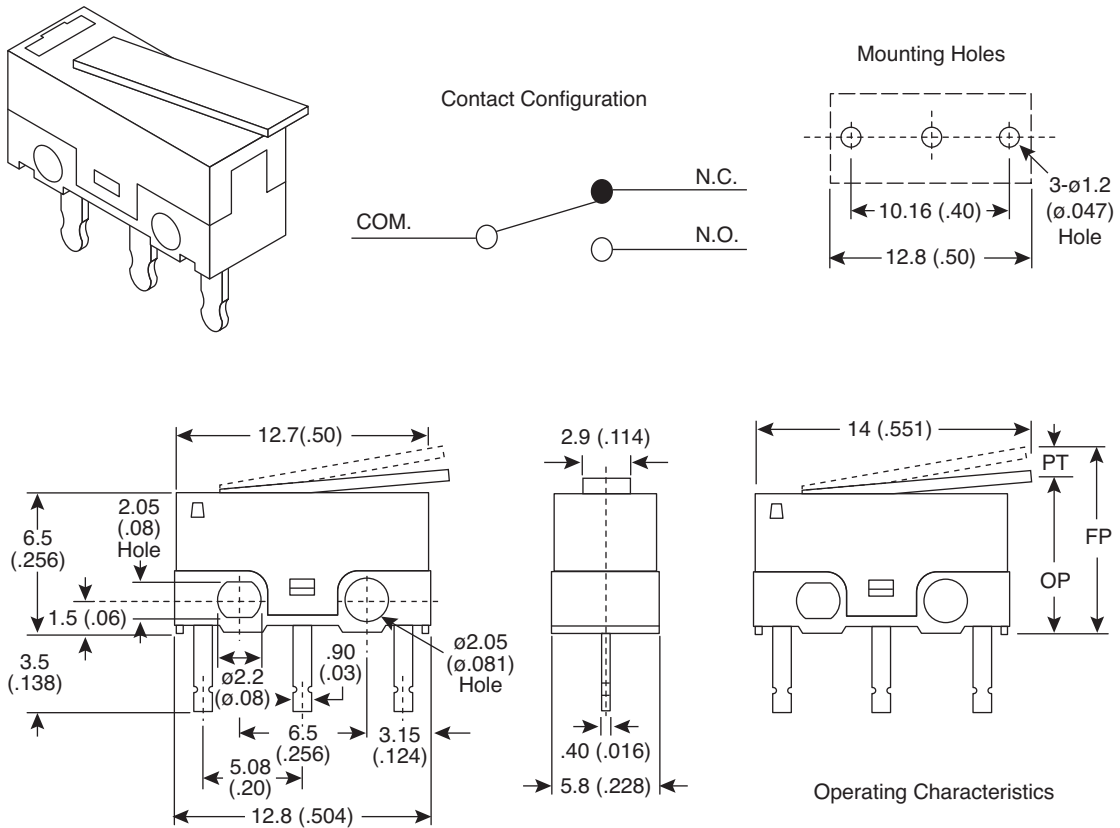


Dimensions: mm (in.)



Mechanical Specifications:

- Operating Frequency: 120 operations
- Life: 1,000,000 operations min.
- Operating Temperature: 0°C ~ 65°C
- Storage Temperature: -25°C ~ 85°C

Note:

- RoHS Compliant and process compatible with 260° solder

Electrical Specifications:

- Rating: 3A/125VAC; 0.2A/60VDC
- Operating Frequency: 10~30 operations
- Contact Resistance (initial): 30~100mΩ max.
- Insulation Resistance (at 500VDC): 100MΩ min.
- Dielectric Strength: 1,000VAC RMS (50-60HZ)
- Life (at rated load): 6,000~15,000 operations

Operating

Characteristics:

- OF Max. (g): 50
- OP (mm): 8.4±0.8
- PT Max. (mm): 3.4
- OT Min. (mm): 0.6
- MD Max. (mm): 1.3
- FP Max. (mm): 11.0
- RF Min. (g): 8

Super-Miniature Snap Switch
101-13-03-050ST-EV



Available from Mouser Electronics

www.mouser.com

1-800-346-6873

Specifications are subject to change without notice. No liability or warranty implied by this information. Environmental compliance based on producer documentation.