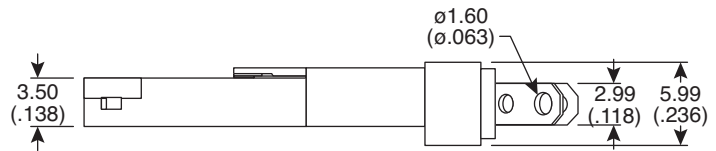
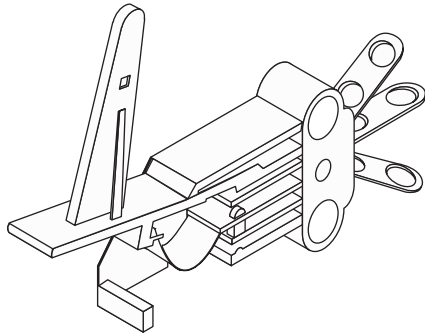
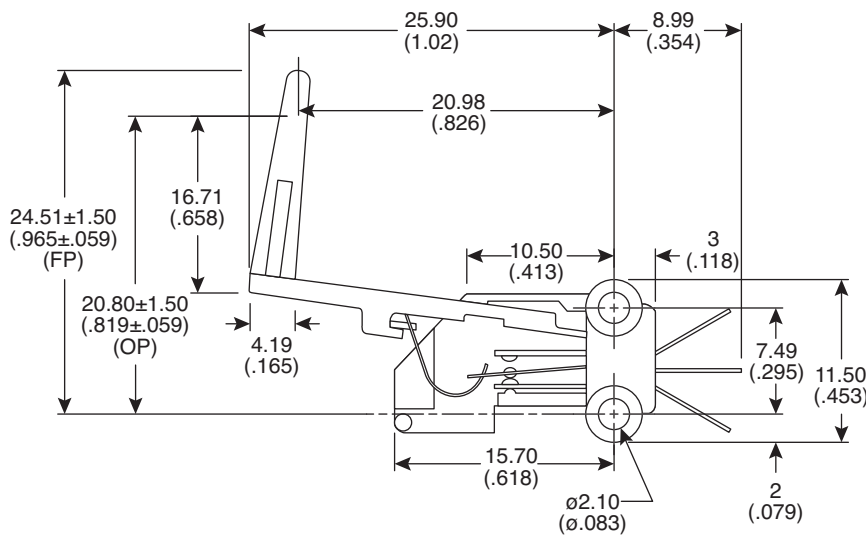


Dimensions: mm (in.)

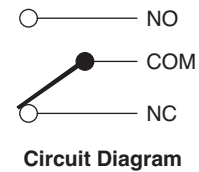


Top View



Side View

FP: Free Position  
OP: Open Position



**Electrical Specifications:**

- Rating: 1A/30VDC
- Contact resistance: <50mΩ
- Insulation resistance: 100MΩ @ 125VDC
- Dielectric Strength: 125VAC for 1 minute
- Electrical life: 10,000 cycles

**Mechanical Specifications:**

- Mechanical life: 30,000 cycles
- Operating force: 100gf max.
- Operating temperature: -20°~+70°C

**Note:**

- RoHS Compliant

**Leaf Switch**  
101-1306-EV



Available from Mouser Electronics

mouser.com

1-800-346-6873

Specifications are subject to change without notice. No liability or warranty implied by this information. Environmental compliance based on producer documentation.