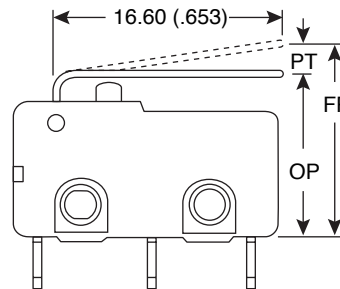
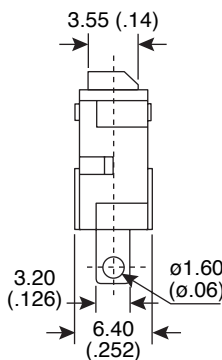
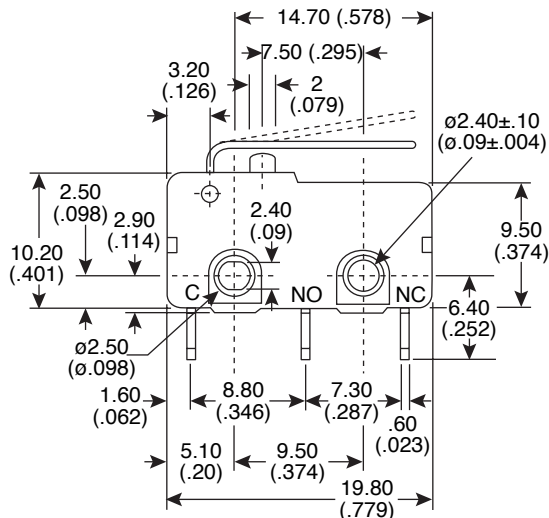
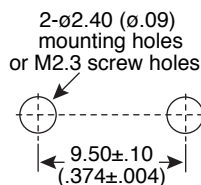


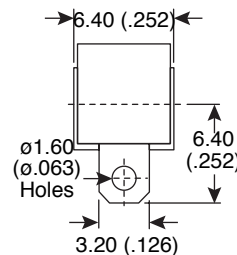
Dimensions: mm (In.)



Contact Configuration



Mounting Holes



Solder Terminal

**Mechanical Specifications:**

- Operating Frequency: 120 operations/min
- Life: 10,000,000 operation min.

**Note:**

- RoHS compliant and process compatible with 260° solder.

**Electrical Specifications:**

- Operating Frequency: 10~30 operations/min
- Life: 6,000~100,000 operations
- Rating: 10.1A/125VAC/250VAC
- Contact Resistance: 30mΩ max.
- Insulation Resistance: 100mΩ min. @ 500VDC
- Dielectric Strength: 1,000VAC RMS (50-60HZ)

**Operating Characteristics:**

- OF Max. (g): 55
- Op (mm): 11.8 ±0.9
- PT Max. (mm): 4.0
- OT Min. (mm): 0.6
- MD Max. (mm): 0.8
- FP Max. (mm): 14.9
- RF Min. (g): 13

Sub-Miniature Snap Switch  
101-61-10-055ST-EV

