

MICRO SWITCH

FREEPORT ILLINOIS, U.S.A
A DIVISION OF HONEYWELL
FED. MFG. CODE 91929

SWITCH - BASIC

CATALOG LISTING
V3L-389
CQ-E0265

V3L-389

M

DRAWING NUMBER

ISSUE

5

8

8

REPLACES

RELEASE NO. PR-1876

CHECK

26 APR 04

AK

CHECK

11 MAY 71

RAW

CHECK

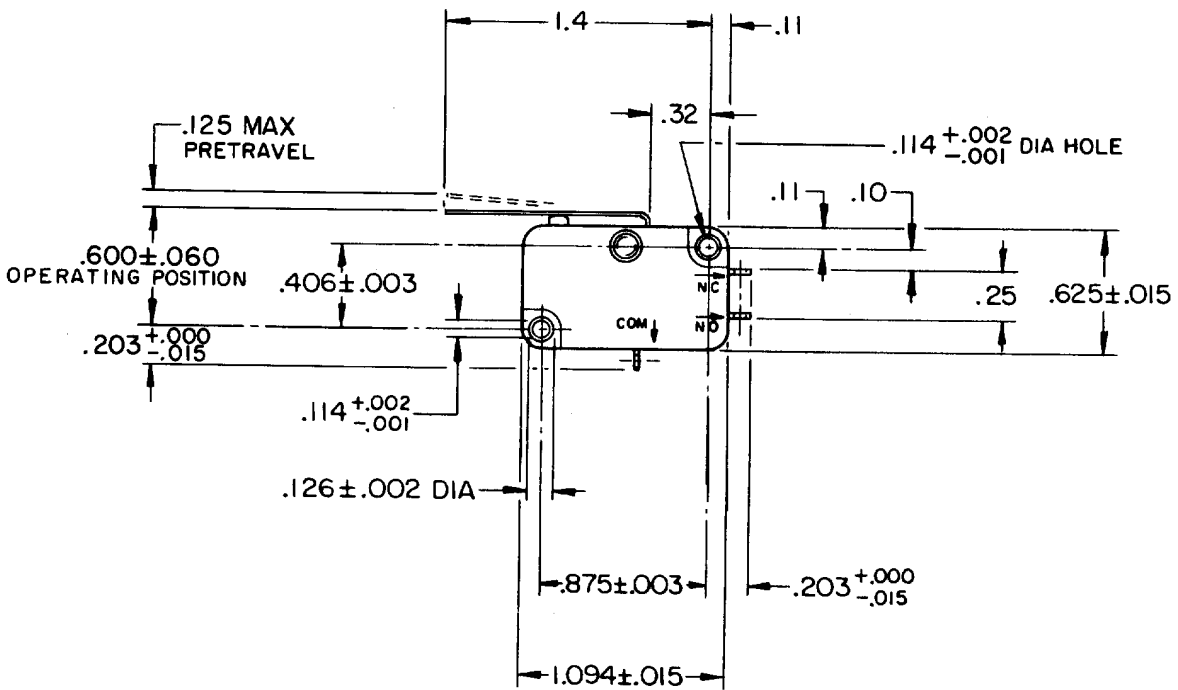
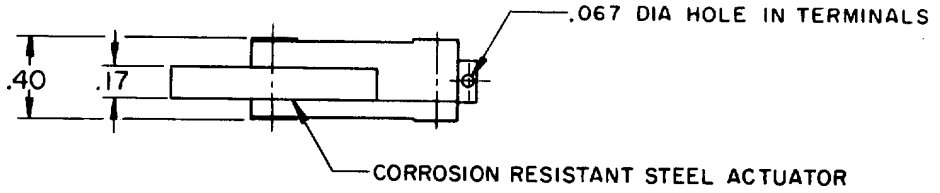
71

OMW

10 MAY

DRAWN

FO-90378-1A



NOTE -
1 - TERMINALS ARE SOLDER PLATED

THIS DRAWING COVERS A PROPRIETARY ITEM AND IS THE PROPERTY OF MICRO SWITCH, A DIVISION OF HONEYWELL. THIS DRAWING IS NOT TO BE COPIED OR USED WITHOUT THE APPROVAL OF MICRO SWITCH.

CHARACTERISTICS

OPERATING FORCE ----- 4 OZ MAX
RELEASE FORCE ----- 1/2 OZ MIN
DIFFERENTIAL TRAVEL ----- .050 MAX
OVERTRAVEL ----- .090 MIN
RELEASE TRAVEL ----- .017 MIN

ELECTRICAL DATA

CONTACT ARRANGEMENT
S P D T

- L156 - 11A-1/3HP-125-250-277 VAC
1/2A-125 VDC; 1/4A-250 VDC
4A-125 VAC "L"



SCALE FULL

DO NOT SCALE PRINT

UNLESS OTHERWISE NOTED

DIMENSIONS ARE IN INCHES

TOLERANCES ARE:

ONE PLACE (.0) ± .030
TWO PLACE (.00) ± .015
THREE PLACE (.000) ± .005
ANGLES ±

WEIGHT