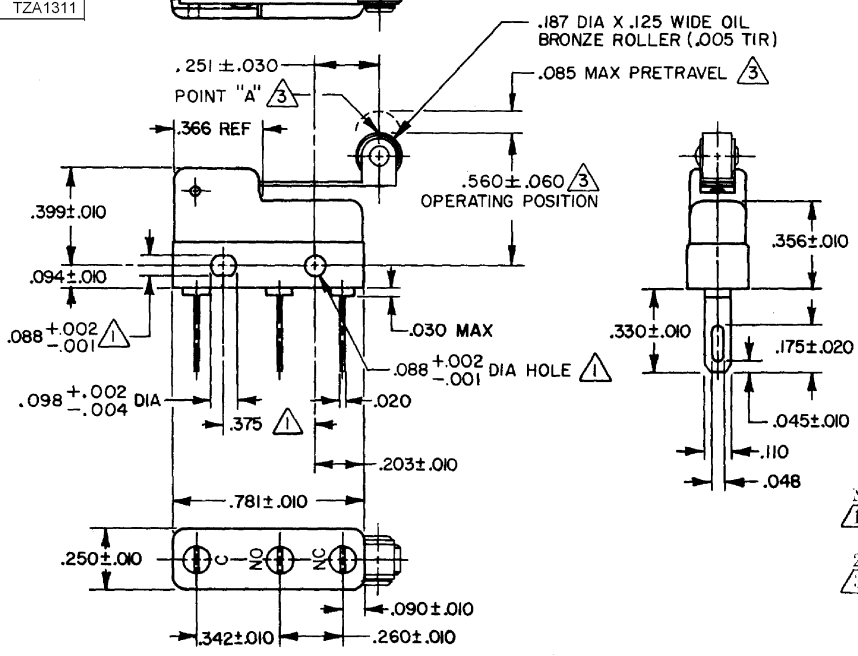
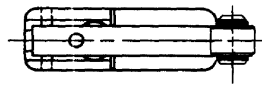


FO-55111-A

HONEYWELL  
PART NUMBER  
311SM6-H4  
PRODUCT CODE  
TZA1311

REV	DOCUMENT	CHANGED BY	CHECK
3	0038113	PRS 12JUN08	BLR



NOTES  
 1 MOUNTING HOLES WILL ACCEPT PINS OR SCREWS OF .087 MAX DIA ON ±.002 CENTERS  
 2 SWITCH WILL WITHSTAND TEMPERATURE OF 250°F  
 3 CHARACTERISTICS TAKEN AT POINT "A"

RELEASE NO.	PR - 16317
REPLACES	X88808-SM

CHARACTERISTICS 3 OPERATING FORCE - - 40 GRAM MAX RELEASE FORCE - - - 7 GRAM MIN DIFFERENTIAL TRAVEL - - .019 MAX OVERTRAVEL - - - - .018 MIN	ELECTRICAL DATA CONTACT ARRANGEMENT S-P-D-T 30 VOLTS DC RATING SEA LEVEL 50,000 FT INDUCTIVE 3 AMP 2.5 AMP RESISTIVE 5 AMP 5 AMP MAXIMUM INRUSH 24 AMP	DESIGN UNITS: INCH TOLERANCES UNLESS NOTED: NO PLACE .X ± 0.030 ONE PLACE .XX ± 0.015 TWO PLACE .XXX ± 0.005 THREE PLACE .XXXX ± FOUR PLACE .XXXX ± ANGLES ±	DRAWN	VK	05 NOV 07
			CHECK	RJ	05 NOV 07
			THIS DRAWING COVERS A PROPRIETARY ITEM AND IS THE PROPERTY OF HONEYWELL. THIS DRAWING IS NOT TO BE COPIED OR USED WITHOUT THE PERMISSION OF HONEYWELL.		
			INTERPRET PER ANSI Y14.5M-1982 OTHER HONEYWELL ENGINEERING STANDARDS MAY APPLY		
APPROVALS KEMA CE 5A, 250V ~ T85 1E4 UL CSA 5A, 250 VAC		THIRD ANGLE PROJECTION	RASTER		

<b>Honeywell</b>				
TITLE SWITCH - BASIC				
SIZE	TYPE	DRAWING NAME	REV	
B	I	311SM6-H4	3	
SCALE	-	WEIGHT .006 LB MAX	SHEET	1 OF 1

4

3

2

1