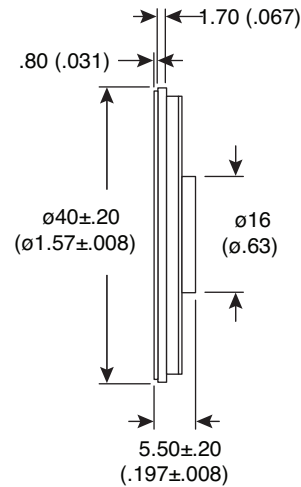
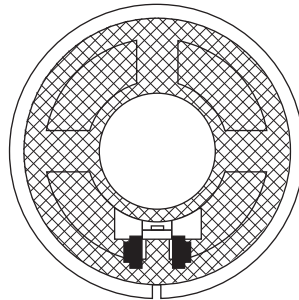
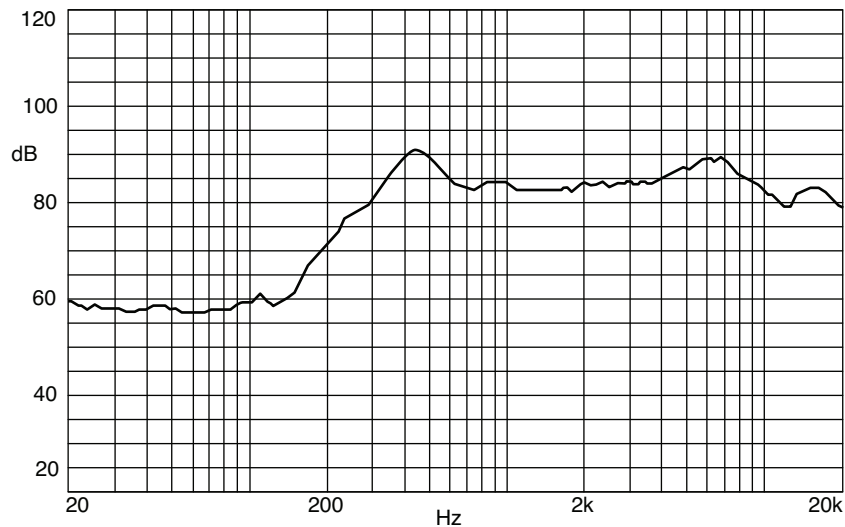


Part Number:

253-CE405-RO



Frequency Response



Speaker

KT-400293

Electrical Specifications:

- Impedance: $8\Omega \pm 15\%$
- Rated Power: 1.0W
- Maximum Power: 1.5W
- Resonant Frequency: $450\text{Hz} \pm 20\%$
- Frequency Range: 230 ~ 20KHz

Materials:

- Magnet: NdFeb

Note:

- RoHS Compliant