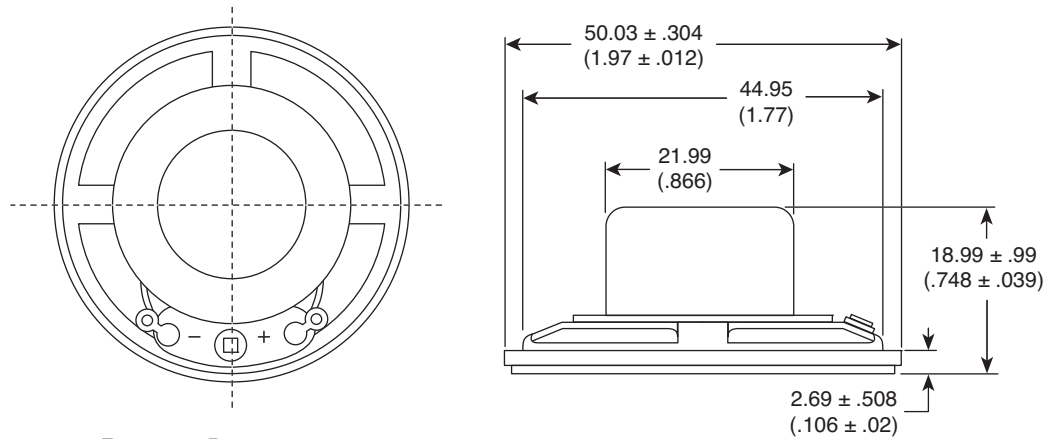
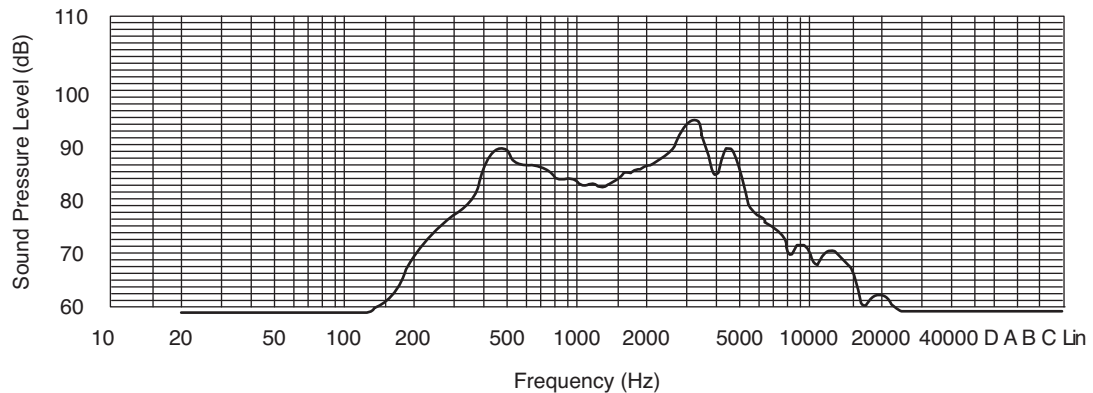


Part Number:

253-3020-RO



Frequency Response



Speaker

KT-400519

Material specifications:

- Magnet: Alnico $\phi .512$ " x $.394$ ", .35 oz

Note:

- RoHS Compliant

Electrical specifications:

- Sensitivity: 84 ± 2 dB/W
- Resonant frequency: 550 Hz ± 110 Hz @ 1V
- Impedance: $8\Omega \pm 15\%$ @ 1V, 1KHz
- Power: 0.2W nom.
- Frequency range: 500Hz ~ 5KHz