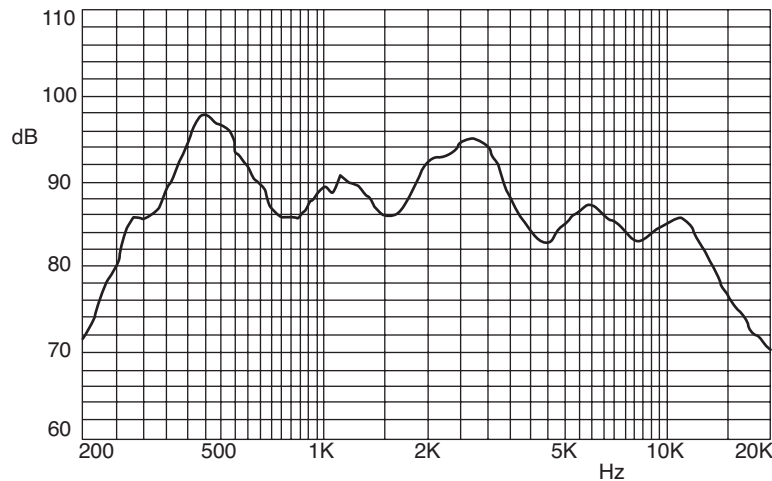
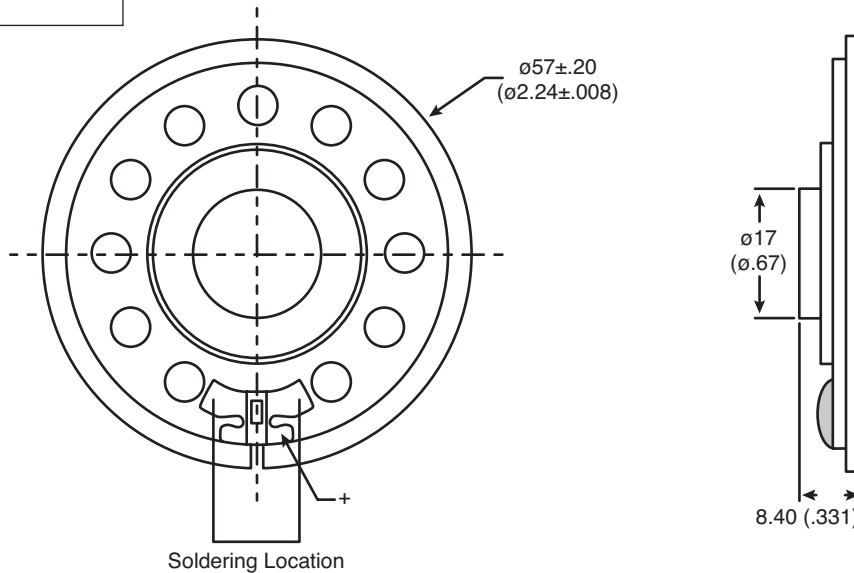


Part Number:

254-PS610-RO



Speaker

Electrical Specifications:

- Nominal Impedance: $8\Omega \pm 15\%$ @ 700Hz / 1.0V
- Power Rating: Normal 500mW Maximum 1.0W
- Lowest Resonant Frequency: 500 ± 150 Hz.
- Output Sound Pressure Level (S.P.L.): 88 ± 3 dB / 500mW 0.5 Meter. Avg at 1,000 ~ 2,000Hz.
- Frequency Range: 350 ~ 13,000Hz
- Distortion: 5% at 500Hz 500mW

Mechanical Specifications:

- Operating Temperature: $-25^{\circ}\text{C} \sim +50^{\circ}\text{C}$
- Storage Temperature: $-25^{\circ}\text{C} \sim +55^{\circ}\text{C}$

Material:

- Magnet: NdFeB
- Weight: 17.0g

Note:

- RoHS Compliant

KT-400282