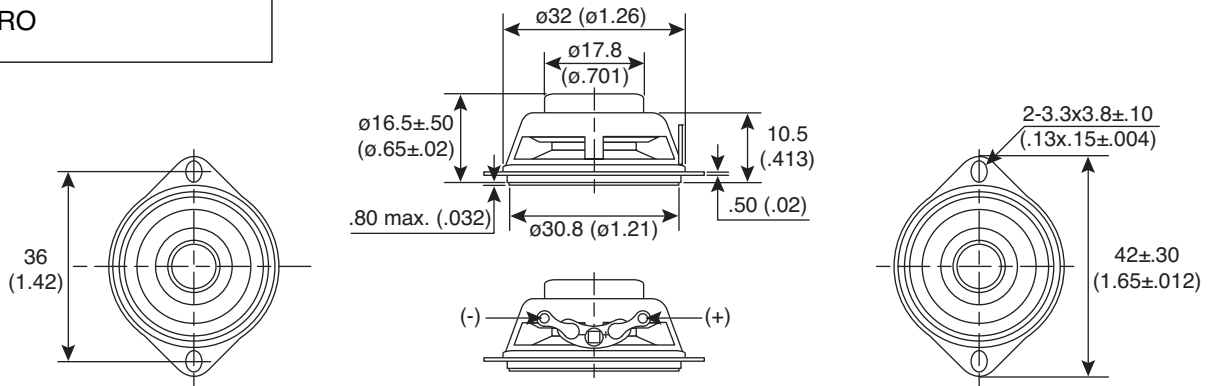
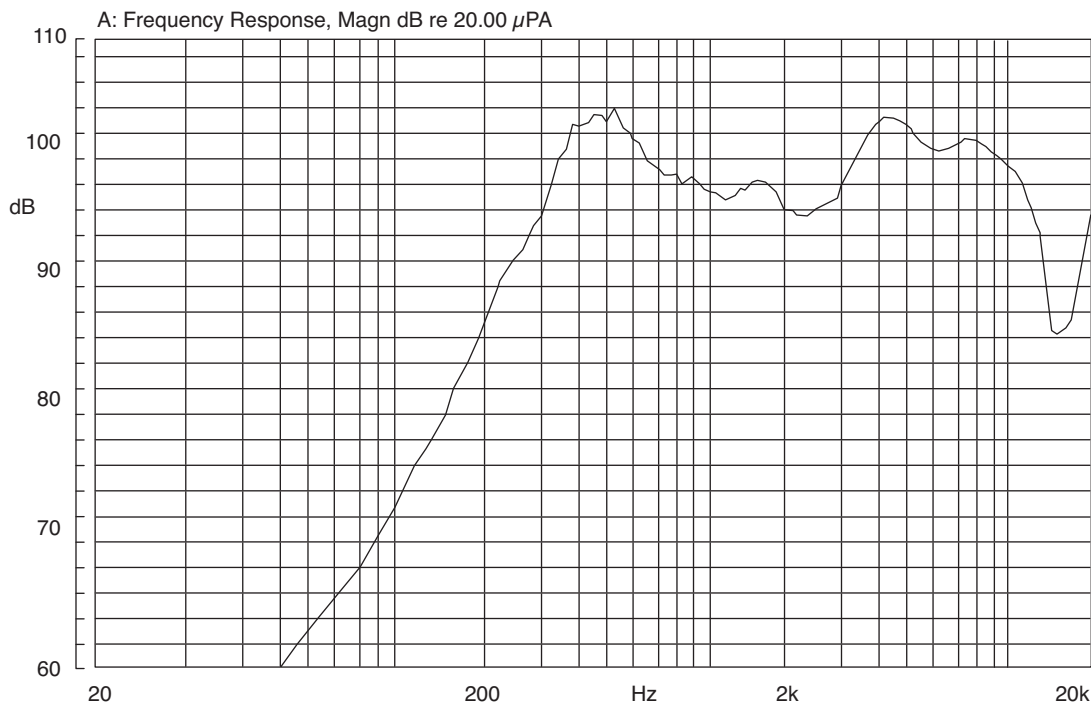


Part Number:

254-DS328-RO



Dynamic Speaker



KT-400436

Electrical Specifications:

- Rated Input Power: 2.0 W
- Impedance: $8\Omega \pm 15\%$ at 1.5K Hz
- Resonant Frequency (Fo): $560\text{Hz} \pm 20\%$ at Fo, 1V
- Sensitivity (SPL): $74\text{dB(W/m)} \pm 3\text{dB}$
 $97\text{dB(2.0W/0.1m)} \pm 3\text{ dB}$
- Frequency Range: Fo - 13.8K Hz

Mechanical Specifications:

- Operating Temperature: $-20^\circ\text{C} \sim +60^\circ\text{C}$
- Storage Temperature: $-30^\circ\text{C} \sim +70^\circ\text{C}$

Note:

- RoHS Compliant

Material:

- Magnet: Ferrite