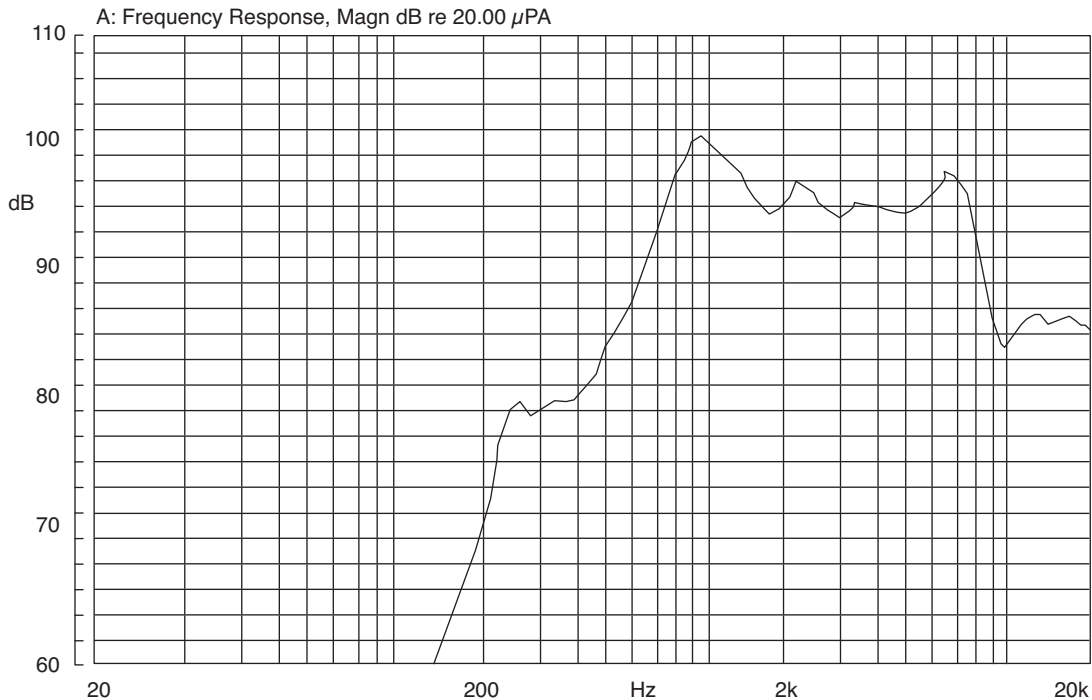
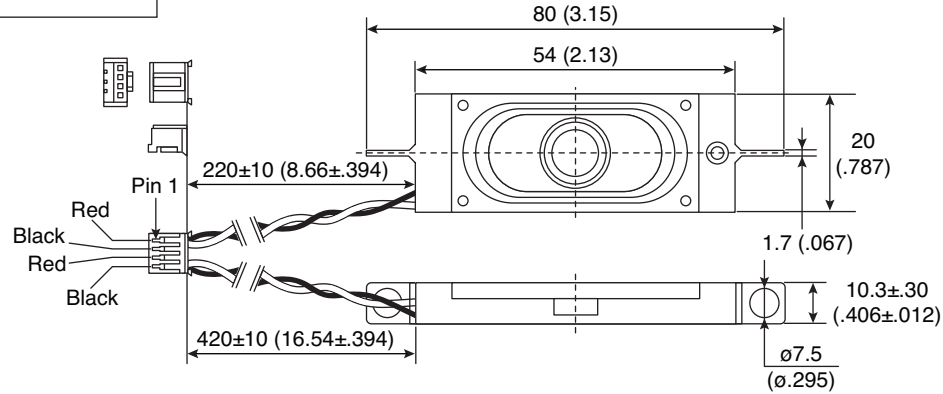


**Part Number:**

254-DS548-RO



Dynamic Speaker

KT-400443

**Electrical Specifications:**

- Rated Input Power: 1.0 W (Long time)
- Max Input Power: 2.0 W (Short time)
- Impedance:  $8\Omega \pm 15\%$  at 2000Hz
- Resonant Frequency ( $F_0$ ):  $900\text{Hz} \pm 20\%$  at  $F_0$ , 1V
- Sensitivity (SPL):  $89\text{dB}(0.1\text{W}/\text{m}^2) \pm 3\text{dB}$   
 $97\text{dB}(1.0\text{W}/0.1\text{m}^2) \pm 3\text{dB}$
- Frequency Range:  $F_0 - 20\text{K Hz}$

**Material:**

- Magnet: Nd-Fe-B
- Wire: UL1007, 26 AWG
- Connector: JST-PHR-4 Equivalent

**Note:**

- RoHS Compliant
- Sold as a pair

**Mechanical Specifications:**

- Operating Temperature:  $-20^\circ\text{C} \sim +60^\circ\text{C}$
- Storage Temperature:  $-30^\circ\text{C} \sim +70^\circ\text{C}$

Available from Mouser Electronics

www.mouser.com

(800) 346-6873

Specifications are subject to change without notice. No liability or warranty implied by this information. Environmental compliance based on producer documentation.