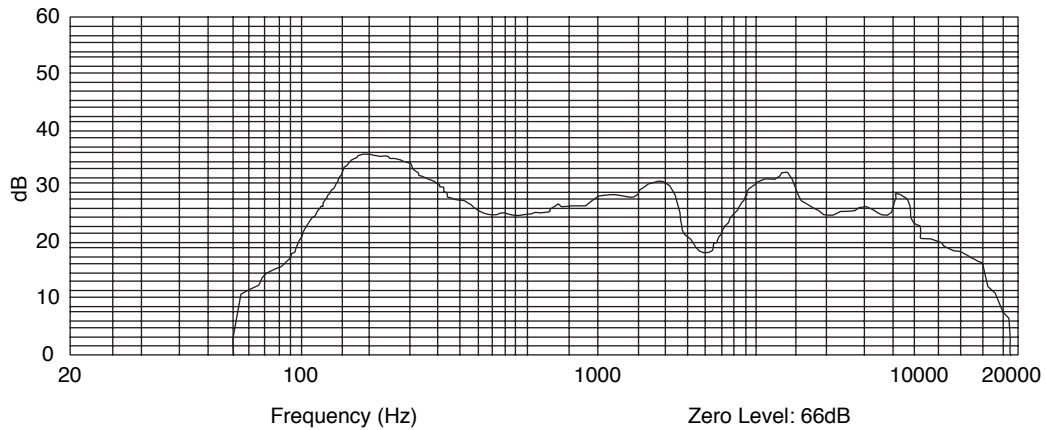
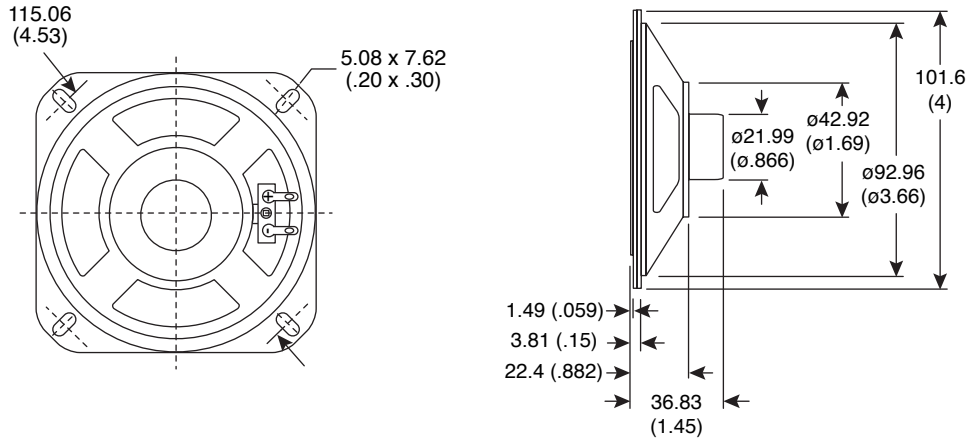


Part Number:

25SP041



Speaker

KT-400053

Electrical Specifications:

- Impedance: $8\Omega \pm 15\%$
- Resonant frequency: $190\text{Hz} \pm 15\%$
- Frequency response: $190\text{Hz} \sim 10\text{KHz}$
- Rated power: 1W
- Maximum power: 2W
- Distortion: 10% max. @ 600Hz, 0.1W

Material:

- Magnet: Alnico