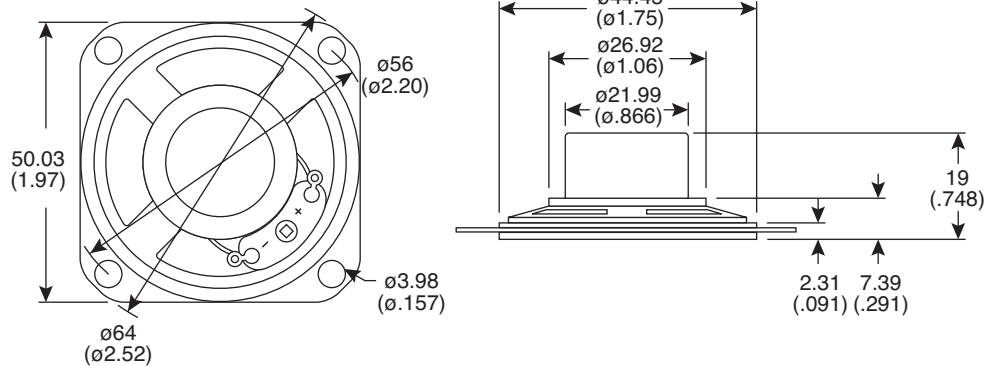


Part Number:

25SP023



Speaker

KT-400045

Electrical Specifications:

- Voice coil impedance: $100\Omega \pm 15\%$
- Resonant frequency (f_0): $460 \pm 15\%$ Hz
- Sound pressure level: 87 ± 2 dB
- Input power: .2W nom., .3W max.
- Distortion: 10% max.
- Frequency Response: $F_0 \sim 4000$ Hz

Material:

- Magnet: Alnico