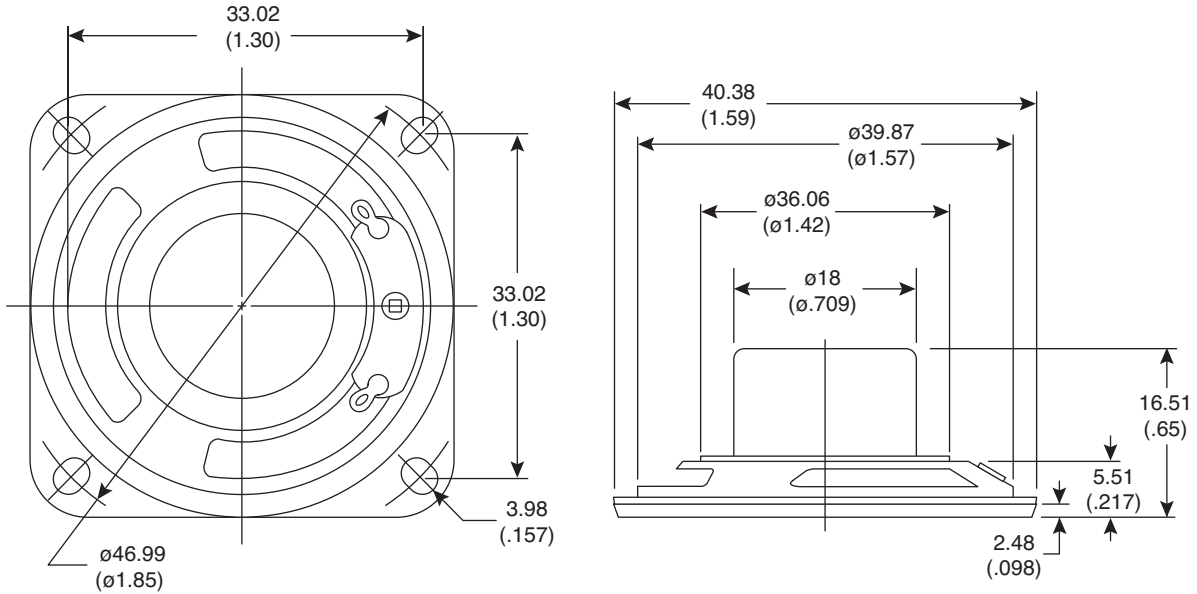
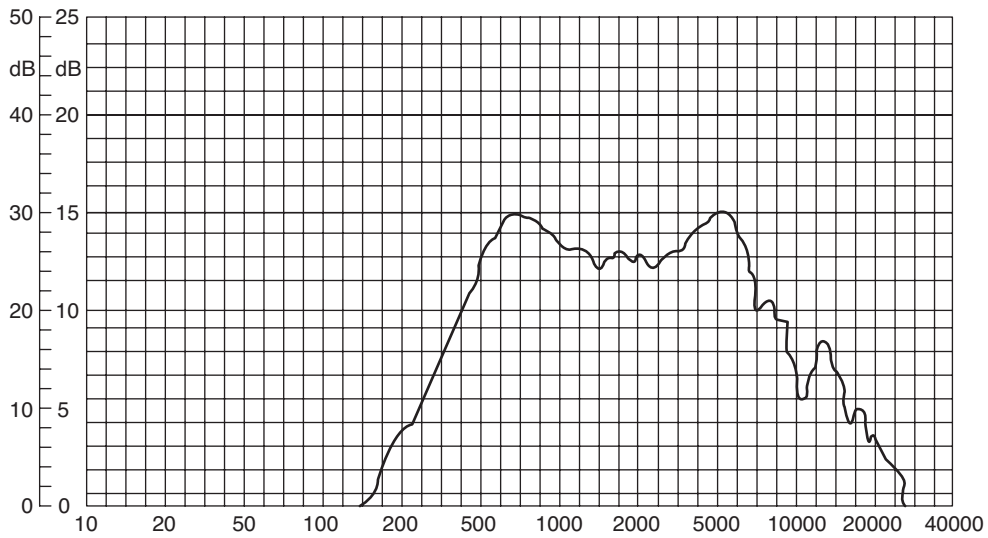


Part Number:

25SP016



Speaker



KT-400044

Electrical Specifications:

- Input power: 100mW typ., 300mW max.
- Impedance: $8 \pm 1.2\Omega$
- Resonant frequency: $650 \pm 120\text{Hz}$
- Sound Pressure level: $85 \pm 2\text{dB}$
- Response: 650 - 3500Hz
- Distortion: 10% max. @ 600Hz, 1W