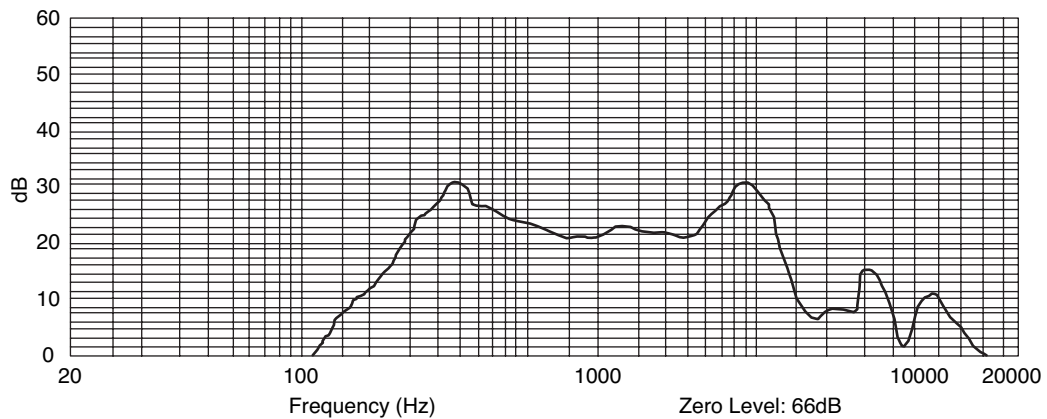
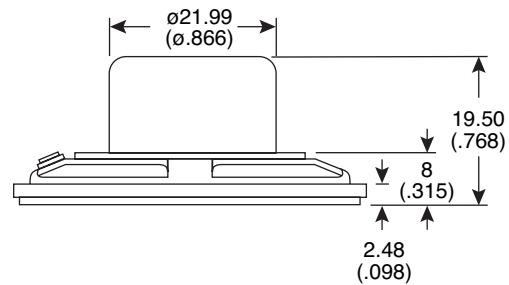
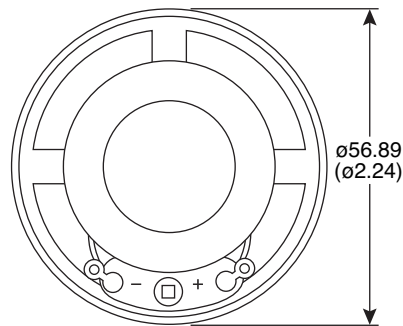


Part Number:

25SP029



Speaker

KT-400048

**Electrical Specifications:**

- Rated power: 0.25W
- Max. power: 0.5W
- Impedance:  $100\Omega \pm 15\%$
- Resonant Frequency:  $450\text{Hz} \pm 15\%$
- Frequency response: 450~4KHz
- Distortion: 10% max. 600Hz, .25W

**Material:**

- Magnet: Alnico