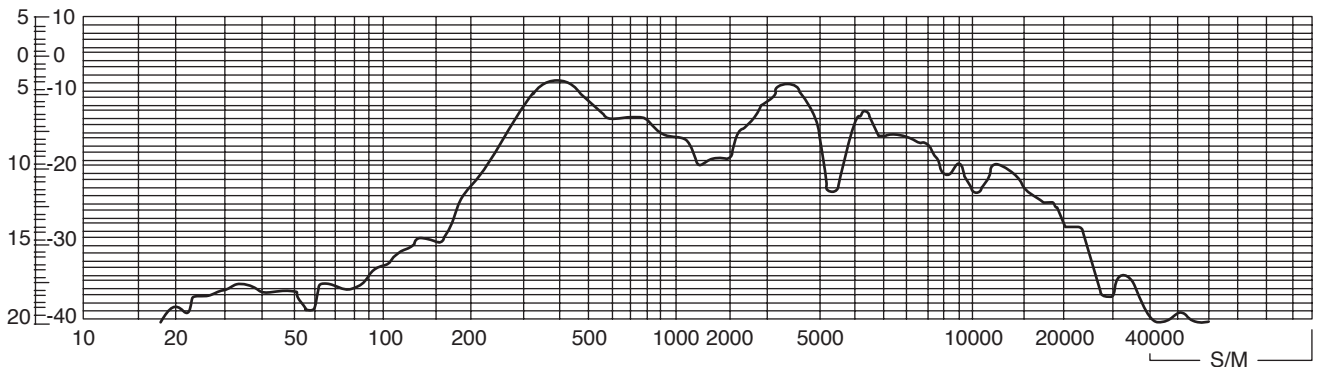
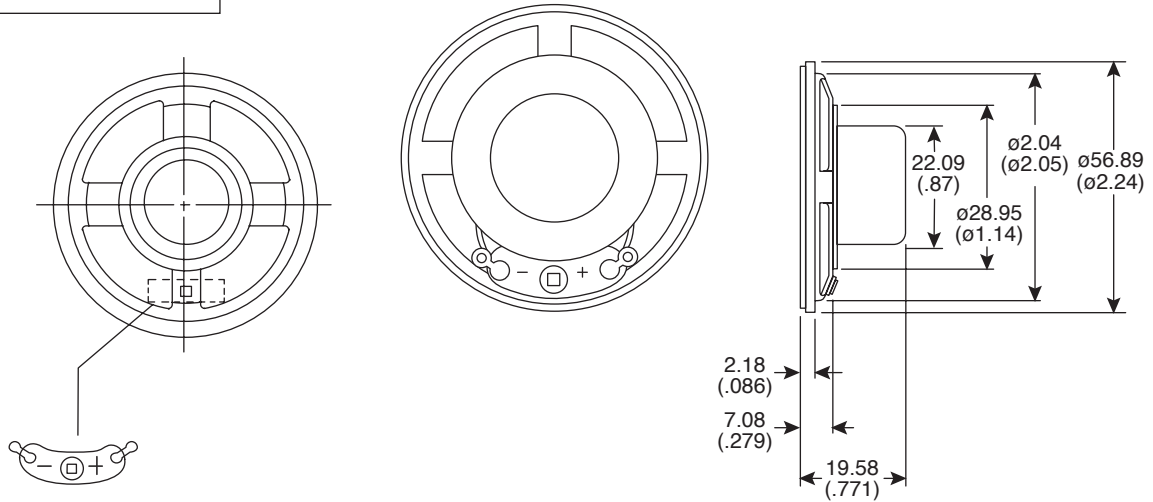


Part Number:

25SP024



Speaker

KT-400046

Electrical Specifications:

- Voice coil impedance: $8\Omega \pm 7\%$
- Resonant frequency: $500 \pm 60\text{Hz}$ without baffle
- Output SPL: $90 \pm 2\text{dB}$
- Frequency response: 450Hz to 4KHz
- Rated power input: .2W
- Max power input: .2W
- Distortion: 5% max., @ rated power input 800Hz

Mechanical Specifications:

- Heat test: $55^\circ\text{C} \pm 2^\circ\text{C}$, 20-50%RH for 2 hrs
- Humidity test: $40^\circ\text{C} \pm 2^\circ\text{C}$, 90-95%RH 48 hrs

Material:

- Magnet: Alnico, 2.24 inch
- Speaker weight: 1.65 oz