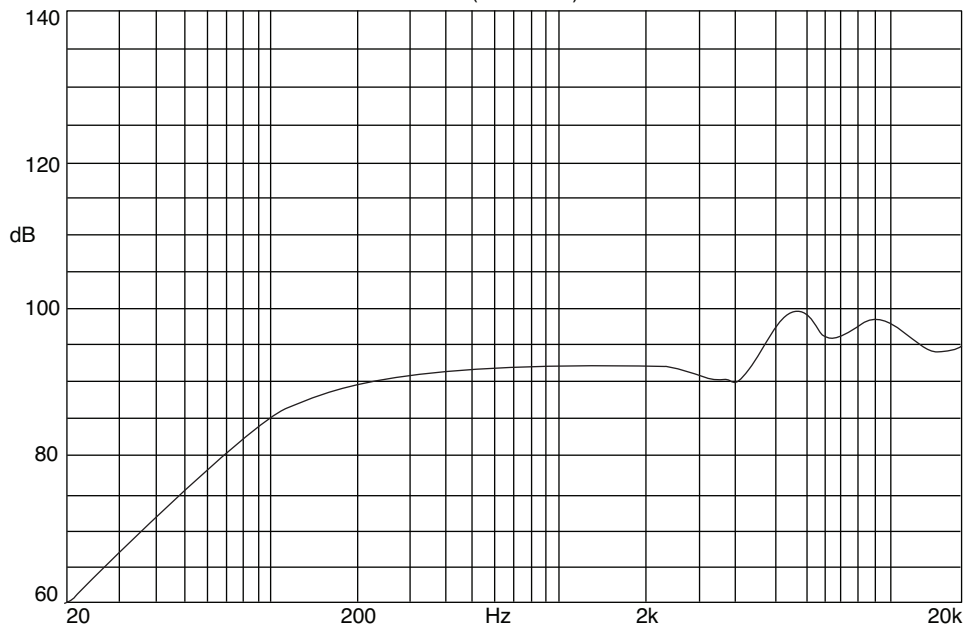
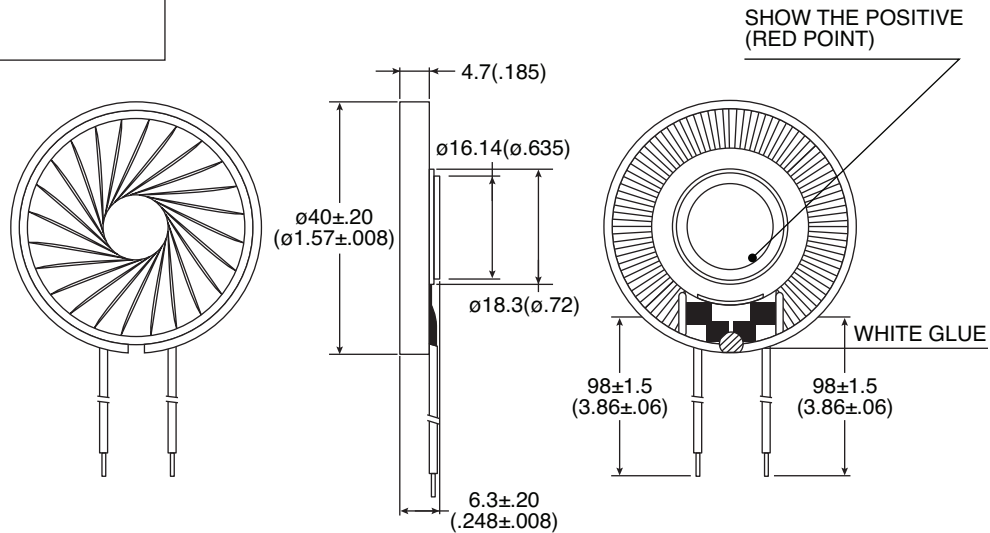


Part Number:

25CE500-RO



Speaker

KT-400290

Electrical Specifications:

- Impedance: 600Ω @ 1KHz
- Impedance Variation: ±15%
- Frequency Response: 90 - 20KHz
- Resonant Frequency: 120±24Hz
- Rated Input: 25mW
- Max. Input: 70mW
- SPL: 91±3dB at 1mW/1KHz 0.15cm

Soldering Process:

- Soldering Temperature: 380°C±20% for 1-2 seconds by hand soldering iron

Note:

- RoHS Compliant