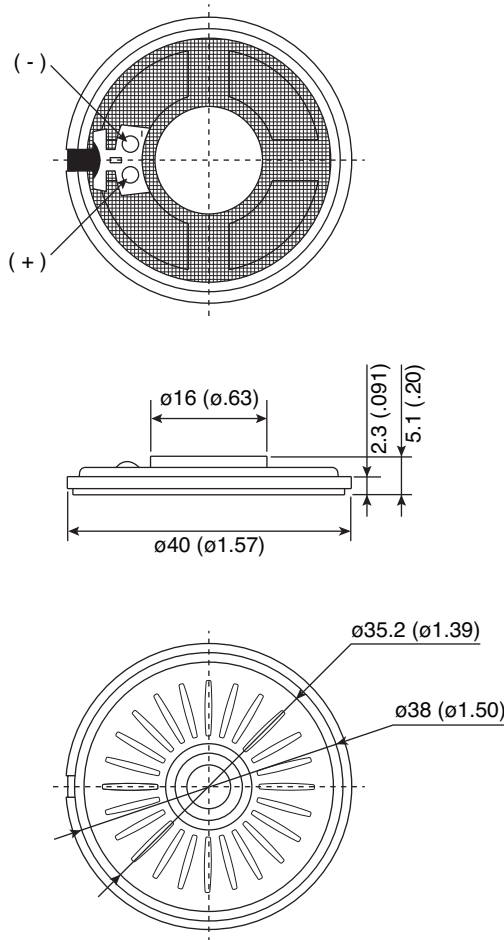


Part Number:

254-DS408-RO

Dynamic Speaker



KT-400359

Electrical Specifications:

- Rated Input Power: 1.0W
- Impedance: $8\Omega \pm 15\%$ at 1500KHz
- Resonant Frequency (Fo): 600 Hz $\pm 20\%$ at Fo, 1V
- Frequency Range: Fo-6KHz
- Max Input Power: Must be normal at 1.5W white noise for 1 minute

Material:

- Magnet: NdFeB

Note:

- RoHS Compliant